

PE587U-250-8C

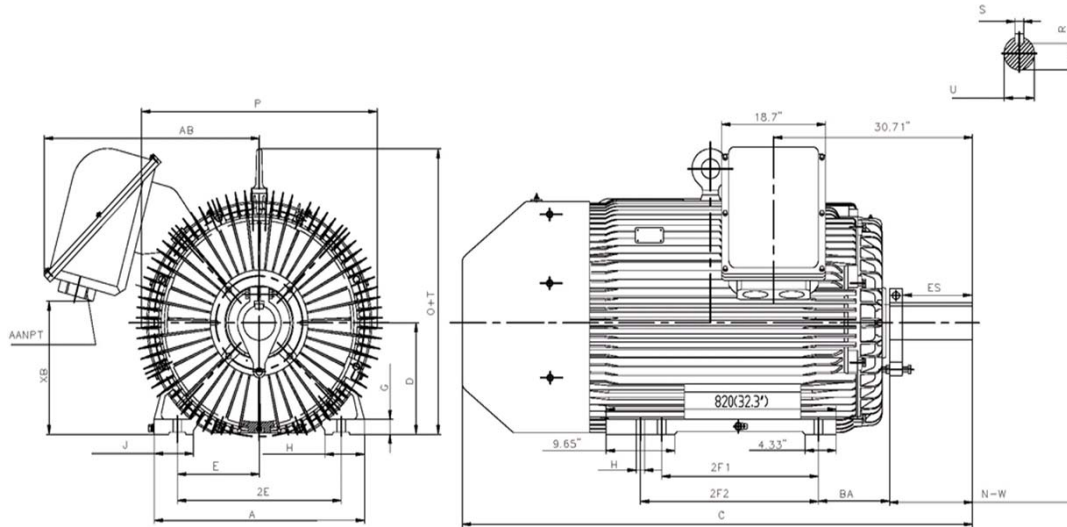
CRUSHER DUTY MOTOR

HIGH TORQUE / HIGH EFFICIENCY DESIGN

TOTALLY ENCLOSED FAN COOLED

HEAVY DUTY CAST IRON CONSTRUCTION

Factory Certified for T2B Class I, Division II, Groups A,B,C & D and Class II, Division II, Groups F & G



DIMENSIONS

HP	RPM	Frame	MOUNTING														
			A	B	C	D	G	H	J	E	2E	2F1	2F2	O	P	T	BA
250	900	587U	29.53	32.38	71.65	14.50	1.97	1.13	5.51	11.50	23.00	22.00	25.00	41.36	33.07	5.88	10.00

Shaft Extension, Key Set				Conduit Box		Bearings		Mount		
U	V	R	S	ES	N-W	AA	AB		DE	ODE
3.875	11.25	3.817	1.00	10.00	11.63	2 X 3"	28.15	NU324	6319	F1

BEARING LUBRICATION: The bearings come lubricated with Mobil Polyrex EM Polyurea Grease. It is recommended that you add some additional lubrication when the motor is installed.

Three options (brands) for suitable lubrication include, but are not limited to, the following:

- 1.) Mobil Polyrex EM
- 2.) Citco Polyurea MP
- 3.) Conoco Phillips Polytac EP





PE587U-250-8C

CRUSHER DUTY MOTOR
HIGH TORQUE / HIGH EFFICIENCY DESIGN
TOTALLY ENCLOSED FAN COOLED
HEAVY DUTY CAST IRON CONSTRUCTION

Factory Certified for T2B Class I, Division II, Groups A,B,C & D and Class II, Division II, Groups F & G

PERFORMANCE DATA

HP	RPM	Frame	Voltage	Frequency (Hz)	Full Load S.F.	Insulation Class	NEMA Design	Slip (%)	NEMA Code	Enclosure Type	IP Rating	Max. Ambient
250	890	587U	460	60	1.15	F	C	1.1	G	TEFC	55	40° C

Amps (460V)		Efficiency (%)				Power Factor			Torque (ft-lb)			DE Bearing	ODE Bearing	Connection	Weight (lbs.)
FLA	LRA	100%	75%	50%	Min.	100%	75%	50%	FLT	LRT %	BDT %	NU324	6319	12 Lead Δ	5694
304.3	1825	94.5	94.0	93.5	93.6	0.795	0.768	0.662	1984	200	230				

NAME PLATE

North American Electric, Inc.										HIGH EFFICIENCY DESIGN					CONNECTION DIAGRAMS		
CRUSHER DUTY MOTOR										Across The Line							
CAT NO: PE587U-250-8C			FRAME 587U			PHASE 3											
DE BRG NU324		ODE BRG 6319		CONN. 12 Lead Δ													
MAX AMB. 40° C		INS. CLASS F		RATING CONT		WEIGHT 5694											
LUBRICATION Mobil Polyrex EM			SER			60 HERTZ DATA			50 HERTZ DATA								
HP 250		RPM 890		HP 250		RPM 741		NEMA NOM.EFF. 94.5 % NOM. P.F. 0.795			NEMA NOM.EFF. 94.1 % NOM. P.F. 0.795						
VOLTS 460				VOLTS 380				NEMA MIN.EFF. 93.6 % MAX. KVAR 59.3			NEMA MIN.EFF. 93.2 % MAX. KVAR 61.6						
F.L. AMPS 304.3				F.L. AMPS 368.4				S.F. 1.15 DESIGN C CODE G			S.F. 1.0 DESIGN C CODE H						
S.F. AMPS 349.9				S.F. AMPS 368.4				ISO9001 CERTIFIED			CE						
S.F. 1.15 DESIGN C CODE G				S.F. 1.0 DESIGN C CODE H				SF US			CC041B						
Designed specifically for use on crushing and pulverizing equipment and other equipment requiring extremely high starting torques and breakdown torques.										Hernando, MS 38632							

APPLICATIONS:

Special purpose use on crushing and pulverizing equipment and other industrial equipment requiring extremely high starting torques and breakdown torques.