

PE449T-200-6C

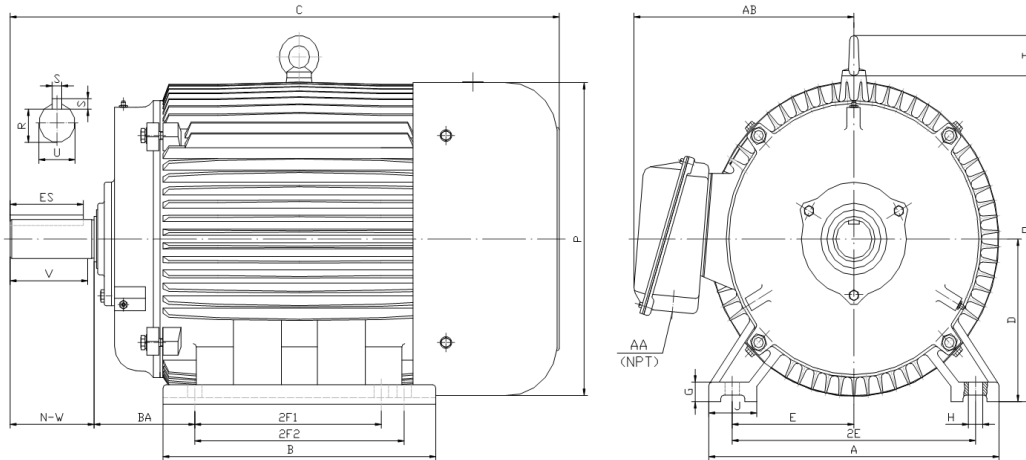
GENERAL PURPOSE ELECTRIC MOTOR

NEMA PREMIUM EFFICIENCY

TOTALLY ENCLOSED FAN COOLED

INVERTER DUTY 10:1 CT; 20:1 VT - NEMA MG1 PART 31

Factory Certified for T2B Class I, Division II, Groups A,B,C & D and Class II, Division II, Groups F & G



DIMENSIONS

HP	RPM	Frame	MOUNTING														
			A	B	C	D	G	H	J	E	2E	2F1	2F2	O	P	T	BA
200	1200	449T	21.70	31.40	52.80	11.00	1.35	0.81	3.35	9.00	18.00	20.00	25.00	23.00	23.40	3.00	7.50

Shaft Extension, Key Set						Conduit Box		Bearings		Mount
U	V	R	S	ES	N-W	AA	AB	DE	ODE	
3.375	8.25	2.880	0.875	6.91	8.50	3.00	19.90	NU319	6318	F1

BEARING LUBRICATION: The bearings come lubricated with Mobil Polyrex EM Polyurea Grease. It is recommended that you add some additional lubrication when the motor is installed.

Three options (brands) for suitable lubrication include, but are not limited to, the following:

- 1.) Mobil Polyrex EM
- 2.) Citco Polyurea MP
- 3.) Conoco Phillips Polytac EP





PE449T-200-6C

GENERAL PURPOSE ELECTRIC MOTOR

NEMA PREMIUM EFFICIENCY

TOTALLY ENCLOSED FAN COOLED

INVERTER DUTY 10:1 CT; 20:1 VT - NEMA MG1 PART 31

Factory Certified for T2B Class I, Division II, Groups A,B,C & D and Class II, Division II, Groups F & G

PERFORMANCE DATA

HP	RPM	Frame	Voltage	Frequency (Hz)	Full Load S.F.	Insulation Class	NEMA Design	Slip (%)	NEMA Code	Enclosure Type	IP Rating	Max. Ambient
200	1185	449T	460	60	1.15	F	C	1.3	G	TEFC	55	40° C

Amps (460V)		Efficiency (%)				Power Factor			Torque (ft-lb)			DE Bearing	ODE Bearing	Connection	Weight (lbs.)
FLA	LRA	100%	75%	50%	Min.	100%	75%	50%	FLT	LRT %	BDT %				
235.0	1450	95.8	95.6	95.0	95.0	0.810	0.790	0.710	885.0	200	245	NU319	6318	6 Lead Δ	2175

NAME PLATE

<p>INVERTER DUTY 20:1 VT; 10:1 CT</p>										<p>CONNECTION DIAGRAMS (460V)</p> <p>Across The Line</p>					
CAT NO:		PE449T-200-6C			FRAME		449T		PHASE		3		<p>PWS Start</p>		
HZ 60		S.F. 1.15		HZ 50		S.F. 1.0		ENCL TEFC		IP 55		<p>PWS Run</p>			
HP 200		RPM 1185		HP 200		RPM 985		DUTY CONT		DES C					
VOLTS 460			VOLTS 380			AMB 40° C		INS F							
FLA 235.0		FLA 290			DE BEARING			NU319							
CODE G		P.F. 0.81		CODE F		P.F. 0.84		ODE BEARING			6318				
EFF 95.8		MIN 95.0		EFF 94.3		MIN 93.5		LUB: Mobil Polyrex EM							
MOTOR WEIGHT 2175.0 LBS		CONNECTION 6 Lead Δ			SER NO										
<p>General purpose use on industrial machinery installed in damp, dusty or dirty environments.</p> <p>Hernando, Mississippi</p> <p>CC 082A</p>															

APPLICATIONS:

General purpose use on pumps, fans, blowers, compressors, conveyors, material handling and other industrial machinery installed in damp, dusty or dirty environments.