

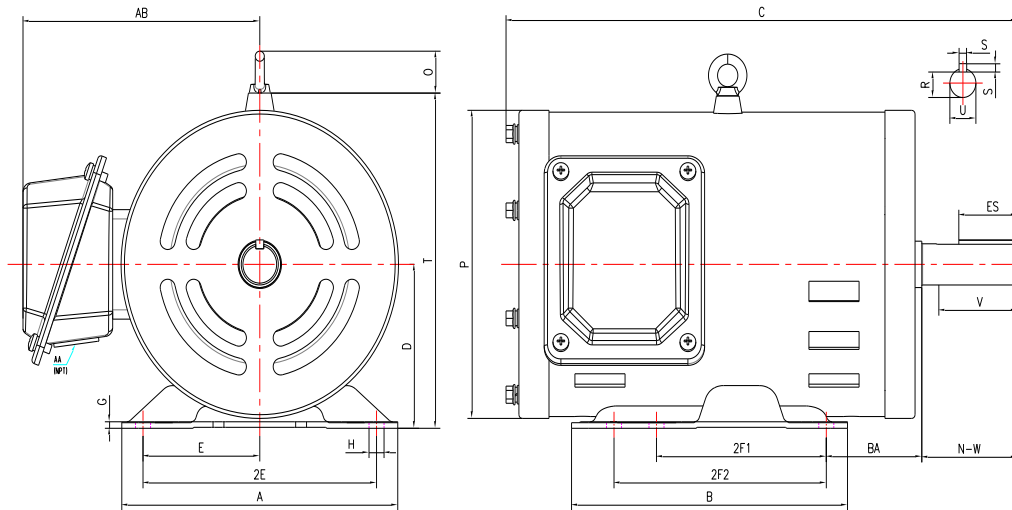
**PE145T-1.5-4-ODP**

GENERAL PURPOSE ELECTRIC MOTOR

NEMA PREMIUM EFFICIENCY

ROLLED STEEL CONSTRUCTION - OPEN DRIP PROOF

INVERTER DUTY 10:1 CT; 20:1 VT - NEMA MG1 PART 31



**DIMENSIONS**

HP	RPM	Frame	MOUNTING														
			A	B	C	D	G	H	J	E	2E	2F1	2F2	O	P	T	BA
1.5	1800	145T	6.50	6.50	12.00	3.50	0.12	0.35	NA	2.75	5.50	4.00	5.00	6.80	6.45	0.00	2.25

Shaft Extension, Key Set						Conduit Box		Bearings		Mount
U	V	R	S	ES	N-W	AA	AB	DE	ODE	
0.88	2.00	0.77	0.19	1.41	2.25	0.86	5.70	6205-ZZ	6205-ZZ	F1

**BEARING LUBRICATION:** The bearings come lubricated with Mobil Polyrex EM Polyurea Grease.





**PE145T-1.5-4-ODP**

**GENERAL PURPOSE ELECTRIC MOTOR**

**NEMA PREMIUM EFFICIENCY**

**ROLLED STEEL CONSTRUCTION - OPEN DRIP PROOF**

**INVERTER DUTY 10:1 CT; 20:1 VT - NEMA MG1 PART 31**

**PERFORMANCE DATA**

HP	RPM	Frame	Voltage	Frequency (Hz)	Full Load S.F.	Insulation Class	NEMA Design	Slip (%)	NEMA Code	Enclosure Type	IP Rating	Max. Ambient
1.5	1750	145T	208-230/460	60	1.15	F	B	2.78	M	ODP	23	40° C

Amps (460V)		Efficiency (%)				Power Factor			Torque (ft-lb)			DE Bearing	ODE Bearing	Connection	Weight (lbs.)
FLA	LRA	100%	75%	50%	Min.	100%	75%	50%	FLT	LRT %	BDT %				
2.3	20.0	86.5	86.0	83.5	84.0	0.700	0.620	0.480	4.5	250	330	6205-ZZ	6205-ZZ	9 Lead 2Y/Y	42

**NAME PLATE**

										<b>CONNECTION DIAGRAMS</b>  <b>208-230V</b> 		
<b>INVERTER DUTY 20:1 VT; 10:1 CT</b>												
CAT NO: PE145T-1.5-4-ODP			FRAME 145T			PHASE 3				<b>460V</b> 		
HZ 60	S.F. 1.15	HZ 50	S.F. 1.0	ENCL ODP	IP 23							
HP 1.5	RPM 1750	HP 1.5	RPM 1430	DUTY CONT	DES B							
VOLTS 208-230/460		VOLTS 190/380		AMB 40° C	INS F							
FLA 5.1 - 4.6 / 2.3	FLA 5.4/2.7		DE BEARING 6205-ZZ									
CODE M	P.F. 0.70	CODE J	P.F. 0.75	ODE BEARING 6205-ZZ								
EFF 86.5	MIN 84.0	EFF 84	MIN 81.5	LUB: Mobil Polyrex EM								
MOTOR WEIGHT 42	LBS	CONNECTION 9 Lead 2Y/Y		SER NO								
General purpose use on industrial machinery installed in environments with minimal dirt and moisture. Hernando, Mississippi										CC 082A		

**APPLICATIONS:**

General purpose use on pumps, fans, blowers, compressors, conveyors, material handling and other industrial machinery installed in environments with minimal dirt and moisture.