

PE213T-3-6C

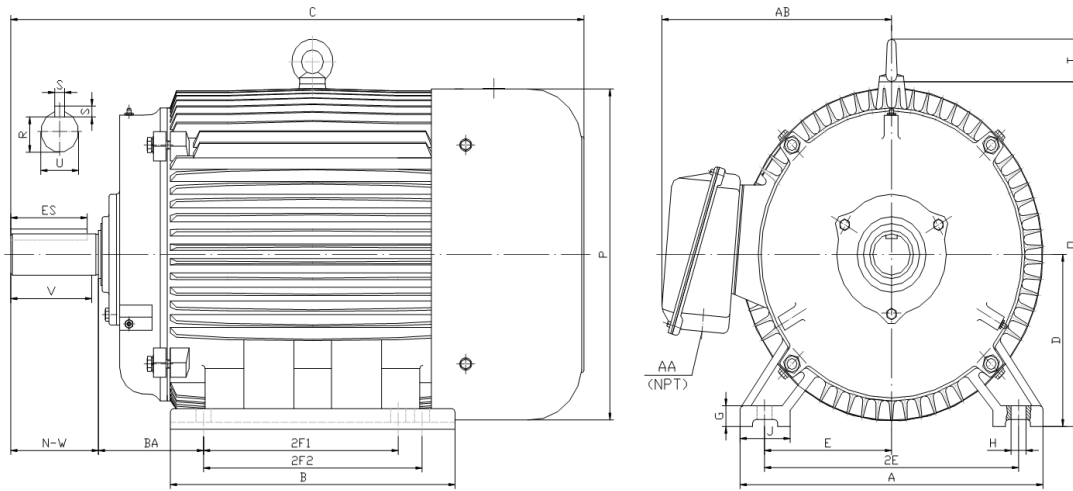
GENERAL PURPOSE ELECTRIC MOTOR

NEMA PREMIUM EFFICIENCY

TOTALLY ENCLOSED FAN COOLED

INVERTER DUTY 10:1 CT; 20:1 VT - NEMA MG1 PART 31

Factory Certified for T2B Class I, Division II, Groups A,B,C & D and Class II, Division II, Groups F & G



DIMENSIONS

HP	RPM	Frame	MOUNTING														
			A	B	C	D	G	H	J	E	2E	2F1	2F2	O	P	T	BA
3	1200	213T	11.00	7.90	18.90	5.25	0.70	0.41	2.40	4.25	8.50	5.50	0.00	11.20	11.60	1.90	3.50

Shaft Extension, Key Set						Conduit Box		Bearings		Mount
U	V	R	S	ES	N-W	AA	AB	DE	ODE	
1.375	3.12	1.201	0.312	2.41	3.38	1.00	9.00	6308-ZZ	6308-ZZ	F1

BEARING LUBRICATION: The bearings come lubricated with Mobil Polyrex EM Polyurea Grease.





PE213T-3-6C

GENERAL PURPOSE ELECTRIC MOTOR

NEMA PREMIUM EFFICIENCY

TOTALLY ENCLOSED FAN COOLED

INVERTER DUTY 10:1 CT; 20:1 VT - NEMA MG1 PART 31

Factory Certified for T2B Class I, Division II, Groups A,B,C & D and Class II, Division II, Groups F & G

PERFORMANCE DATA

HP	RPM	Frame	Voltage	Frequency (Hz)	Full Load S.F.	Insulation Class	NEMA Design	Slip (%)	NEMA Code	Enclosure Type	IP Rating	Max. Ambient
3	1185	213T	208-230/460	60	1.15	F	C	1.3	K	TEFC	55	40° C

Amps (460V)		Efficiency (%)				Power Factor			Torque (ft-lb)			DE Bearing	ODE Bearing	Connection	Weight (lbs.)
FLA	LRA	100%	75%	50%	Min.	100%	75%	50%	FLT	LRT %	BDT %				
4.4	32	89.5	89.0	87.0	87.5	0.670	0.600	0.480	13.5	250	320	6308-ZZ	6308-ZZ	9 Lead 2Y/Y	139

NAME PLATE

<p>INVERTER DUTY 20:1 VT; 10:1 CT</p>										CONNECTION DIAGRAMS						
CAT NO:		PE213T-3-6C				FRAME		213T		PHASE		3		<p>208-230V</p>		
HZ	60	S.F.	1.15	HZ	50	S.F.	1.0	ENCL	TEFC	IP	55					
HP	3	RPM	1185	HP	3	RPM	980	DUTY	CONT	DES	C	<p>460V</p>				
VOLTS	208-230/460			VOLTS	190/380			AMB	40° C	INS	F					
FLA	9.2 - 8.8 / 4.4			FLA	10.4/5.2			DE BEARING		6308-ZZ						
CODE	K	P.F.	0.67	CODE	H	P.F.	0.75	ODE BEARING		6308-ZZ						
EFF	89.5	MIN	87.5	EFF	85.5	MIN	83.5	LUB: Mobil Polyrex EM								
MOTOR WEIGHT		139	LBS	CONNECTION		9 Lead 2Y/Y		SER NO								
<p>General purpose use on industrial machinery installed in damp, dusty or dirty environments.</p> <p>Hernando, Mississippi</p> <p>CC 082A</p>																

APPLICATIONS:

General purpose use on pumps, fans, blowers, compressors, conveyors, material handling and other industrial machinery installed in damp, dusty or dirty environments.