

PE145T-2-4C

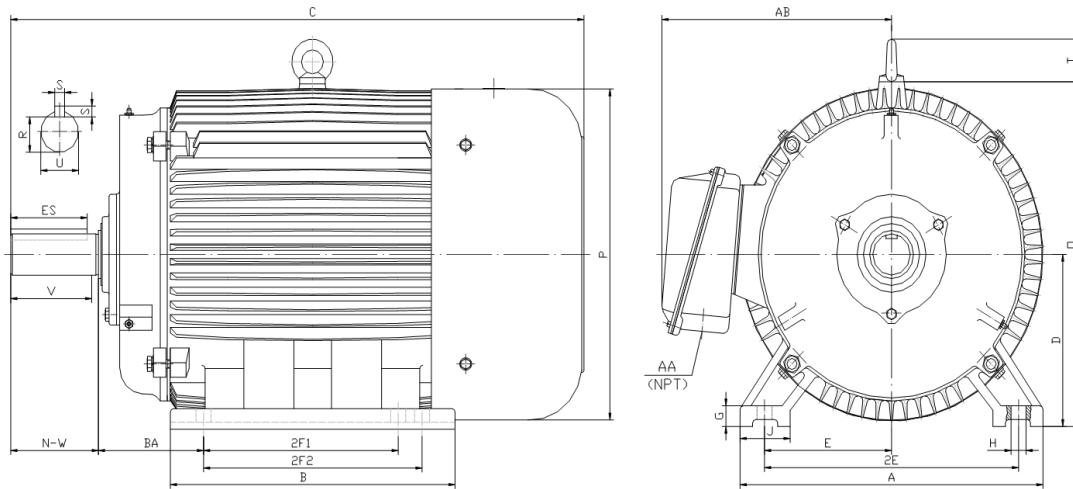
GENERAL PURPOSE ELECTRIC MOTOR

NEMA PREMIUM EFFICIENCY

TOTALLY ENCLOSED FAN COOLED

INVERTER DUTY 10:1 CT; 20:1 VT - NEMA MG1 PART 31

Factory Certified for T2B Class I, Division II, Groups A,B,C & D and Class II, Division II, Groups F & G



DIMENSIONS

HP	RPM	Frame	MOUNTING														
			A	B	C	D	G	H	J	E	2E	2F1	2F2	O	P	T	BA
2	1800	145T	7.00	6.20	14.60	3.50	0.50	0.34	1.40	2.75	5.50	4.00	5.00	7.10	6.95	0.00	2.25

Shaft Extension, Key Set						Conduit Box		Bearings		Mount
U	V	R	S	ES	N-W	AA	AB	DE	ODE	
0.875	2.00	0.771	0.188	1.41	2.25	0.75	6.10	6205-ZZ	6205-ZZ	F1

BEARING LUBRICATION: The bearings come lubricated with Mobil Polyrex EM Polyurea Grease.





PE145T-2-4C

GENERAL PURPOSE ELECTRIC MOTOR

NEMA PREMIUM EFFICIENCY

TOTALLY ENCLOSED FAN COOLED

INVERTER DUTY 10:1 CT; 20:1 VT - NEMA MG1 PART 31

Factory Certified for T2B Class I, Division II, Groups A,B,C & D and Class II, Division II, Groups F & G

PERFORMANCE DATA

HP	RPM	Frame	Voltage	Frequency (Hz)	Full Load S.F.	Insulation Class	NEMA Design	Slip (%)	NEMA Code	Enclosure Type	IP Rating	Max. Ambient
2	1745	145T	208-230/460	60	1.15	F	C	3.1	L	TEFC	55	40° C

Amps (460V)		Efficiency (%)				Power Factor			Torque (ft-lb)			DE Bearing	ODE Bearing	Connection	Weight (lbs.)
FLA	LRA	100%	75%	50%	Min.	100%	75%	50%	FLT	LRT %	BDT %				
3.1	25	86.5	86.5	84.5	84.0	0.720	0.650	0.520	6.1	290	300	6205-ZZ	6205-ZZ	9 Lead 2Y/Y	51

NAME PLATE

										CONNECTION DIAGRAMS			
INVERTER DUTY 20:1 VT; 10:1 CT										208-230V			
CAT NO: PE145T-2-4C		FRAME 145T			PHASE 3								
HZ 60	S.F. 1.15	HZ 50	S.F. 1.0	ENCL TEFC	IP 55								
HP 2	RPM 1745	HP 2	RPM 1415	DUTY CONT	DES C								
VOLTS 208-230/460		VOLTS 190/380			AMB 40° C	INS F							
FLA 6.6 - 6.2 / 3.1	FLA 7.0/3.5			DE BEARING 6205-ZZ									
CODE L	P.F. 0.72	CODE G	P.F. 0.79	ODE BEARING 6205-ZZ									
EFF 86.5	MIN 84.0	EFF 84	MIN 81.5	LUB: Mobil Polyrex EM									
MOTOR WEIGHT 51 LBS		CONNECTION 9 Lead 2Y/Y			SER NO						460V		
General purpose use on industrial machinery installed in damp, dusty or dirty environments. Hernando, Mississippi													
								CC 082A					

APPLICATIONS:

General purpose use on pumps, fans, blowers, compressors, conveyors, material handling and other industrial machinery installed in damp, dusty or dirty environments.