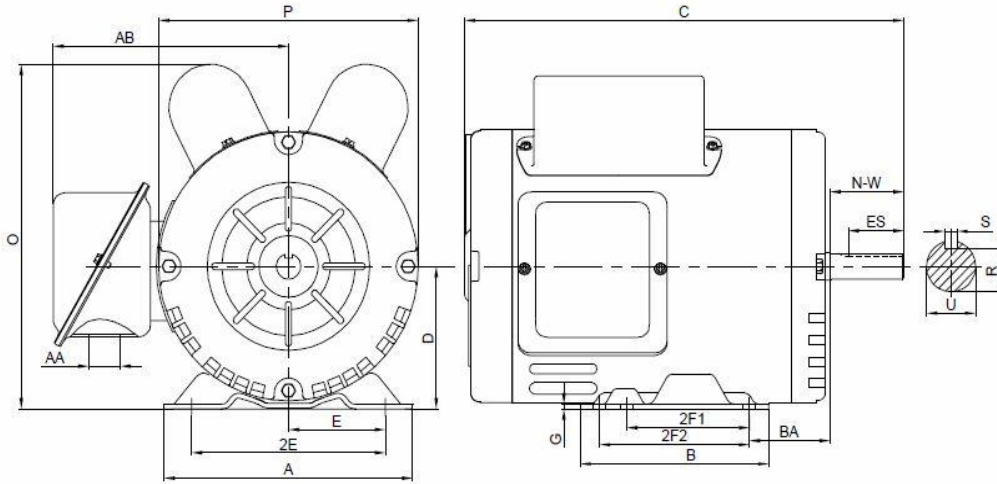


D56H5S2C-MO

GENERAL PURPOSE / COMPRESSOR DUTY ELECTRIC MOTOR
SINGLE PHASE - CAPACITOR START / CAPACITOR RUN
HIGH STARTING TORQUE
ROLLED STEEL CONSTRUCTION
OPEN DRIP PROOF



DIMENSIONS

HP	RPM	Frame	MOUNTING														
			A	B	C	D	G	H	J	E	2E	2F1	2F2	O	P	T	BA
5	3600	56H	6.50	6.50	13.60	3.50	0.12	0.34	1.06	2.44	4.88	3.00	5.00	8.46	6.50	NA	2.75

Shaft Extension, Key Set						Conduit Box		Bearings		Mount
U	V	R	S	ES	N-W	AA	AB	DE	ODE	
0.63	1.50	0.52	0.19	1.41	1.88	0.81	6.18	6205	6203	

BEARING LUBRICATION: The bearings come lubricated with Mobile Polyrex EM Polyurea Grease.

D56H5S2C-MO


GENERAL PURPOSE / COMPRESSOR DUTY ELECTRIC MOTOR
SINGLE PHASE - CAPACITOR START / CAPACITOR RUN
HIGH STARTING TORQUE
ROLLED STEEL CONSTRUCTION
OPEN DRIP PROOF

PERFORMANCE DATA

HP	RPM	Frame	Voltage	Frequency (Hz)	Full Load S.F.	Insulation Class	NEMA Design	Slip (%)	NEMA Code	Enclosure Type	IP Rating	Max. Ambient
5	3455	56H	208-230	60	1.15	F	L	4.0	G	ODP	IP44	40°C

Amps (230V)		Efficiency (%)			Power Factor			Torque (ft-lb)			DE Bearing	ODE Bearing	Connection	Weight (lbs.)
FLA	LRA	100%	75%	50%	100%	75%	50%	FLT	LRT %	BDT %	6205	6203	5 Lead	55.1
19.35	128.4	83.7	79.1	72.5	0.99	0.99	0.98	7.54	454	220				

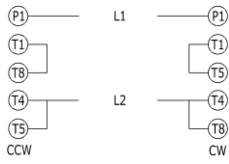
NAME PLATE




COMPRESSOR DUTY MOTOR
High Starting Torques
Single Phase Electric Motor

MODEL	D56H5S2C-MO		HP	5
FRAME	56H	ENCL	ODP	PH 1
RPM	3455	CODE	G	HZ 60
DES	L	CLASS	F	SF 1.15
DE BRG	6205	ODE BRG	6203	
VOLT	208-230		LBS	55.1
AMPS	21.6-19.6		DUTY	CONT
SF AMPS	25-22.63		MAX AMB	40°C
SER				

208-230V



General purpose use on machinery and equipment where contaminants are minimal. COMPRESSOR DUTY



200152
C US

Hernando, Mississippi 38632 www.naemotors.com

APPLICATIONS:

General purpose use on pumps, fans, conveyors, blowers, air compressors, refrigeration equipment, milling machines, tools, farm equipment, aeration equipment and other general purpose applications where contaminants are minimal. COMPRESSOR DUTY.