

D182T3S4C

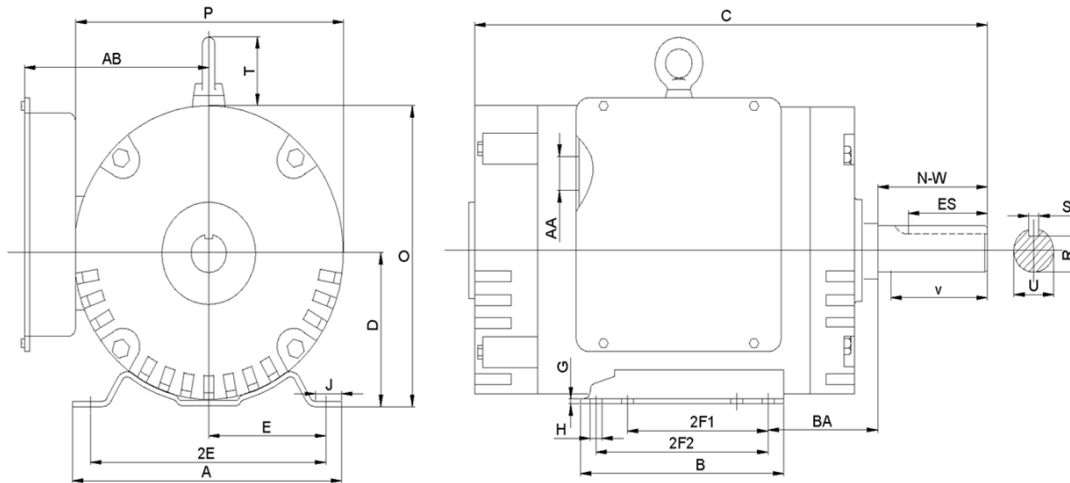
GENERAL PURPOSE / COMPRESSOR DUTY ELECTRIC MOTOR

SINGLE PHASE - CAPACITOR START / CAPACITOR RUN

HIGH STARTING TORQUE

ROLLED STEEL CONSTRUCTION

OPEN DRIP PROOF



DIMENSIONS

HP	RPM	Frame	MOUNTING														
			A	B	C	D	G	H	J	E	2E	2F1	2F2	O	P	T	BA
3	1800	182T	8.50	6.50	15.55	4.50	0.16	0.41	0.95	3.75	7.50	4.50	5.50	9.15	8.50	1.97	2.75

Shaft Extension, Key Set						Conduit Box		Bearings		Mount
U	V	R	S	ES	N-W	AA	AB	DE	ODE	
1.13	2.50	0.99	0.25	1.78	2.75	1.10	6.81	6206-2RZC3	6205-2RZC3	F1

BEARING LUBRICATION: The bearings come lubricated with Mobile Polyrex EM Polyurea Grease.



D182T3S4C

GENERAL PURPOSE / COMPRESSOR DUTY ELECTRIC MOTOR
SINGLE PHASE - CAPACITOR START / CAPACITOR RUN
HIGH STARTING TORQUE
ROLLED STEEL CONSTRUCTION
OPEN DRIP PROOF

PERFORMANCE DATA

HP	RPM	Frame	Voltage	Frequency (Hz)	Full Load S.F.	Insulation Class	NEMA Design	Slip (%)	NEMA Code	Enclosure Type	IP Rating	Max. Ambient
3	1744	182T	208-230V	60	1.15	B	L	3.1	G	ODP	IP44	40°C

Amps (230V)		Efficiency (%)			Power Factor			Torque (ft-lb)			DE Bearing	ODE Bearing	Connection	Weight (lbs.)
FLA	LRA	100%	75%	50%	100%	75%	50%	FLT	LRT %	BDT %				
11.76	73.8	86.2	82	75	0.96	0.93	0.89	12.24	284	215	6206-2RZC3	6206-2RZC3	4 Lead	78

NAME PLATE											
						COMPRESSOR DUTY HIGH STARTING TORQUE OPEN DRIP PROOF ENCLOSURE					
SINGLE PHASE ELECTRIC MOTOR											
MODEL	HP	3	RPM	1744	FRAME	182T					
D182T3S4C	ENCL	ODP	HZ	60	PHASE	1					
VOLT	208-230V	AMPS	13.53-11.76	S.F.	1.15	DESIGN	L				
S.F. AMPS	15.3-14	CLASS	B	CODE	G	LBS	78				
DE BEARING		6206-2RZC3									
ODE BEARING		6206-2RZC3									
MAX AMB.	40°C	RATING	CONT								
SER											
General purpose use on machinery and equipment where contaminants are minimal. COMPRESSOR DUTY Hernando, Mississippi											

APPLICATIONS:

General purpose use on pumps, fans, conveyors, blowers, air compressors, refrigeration equipment, milling machines, tools, farm equipment, aeration equipment and other general purpose applications where contaminants are minimal.