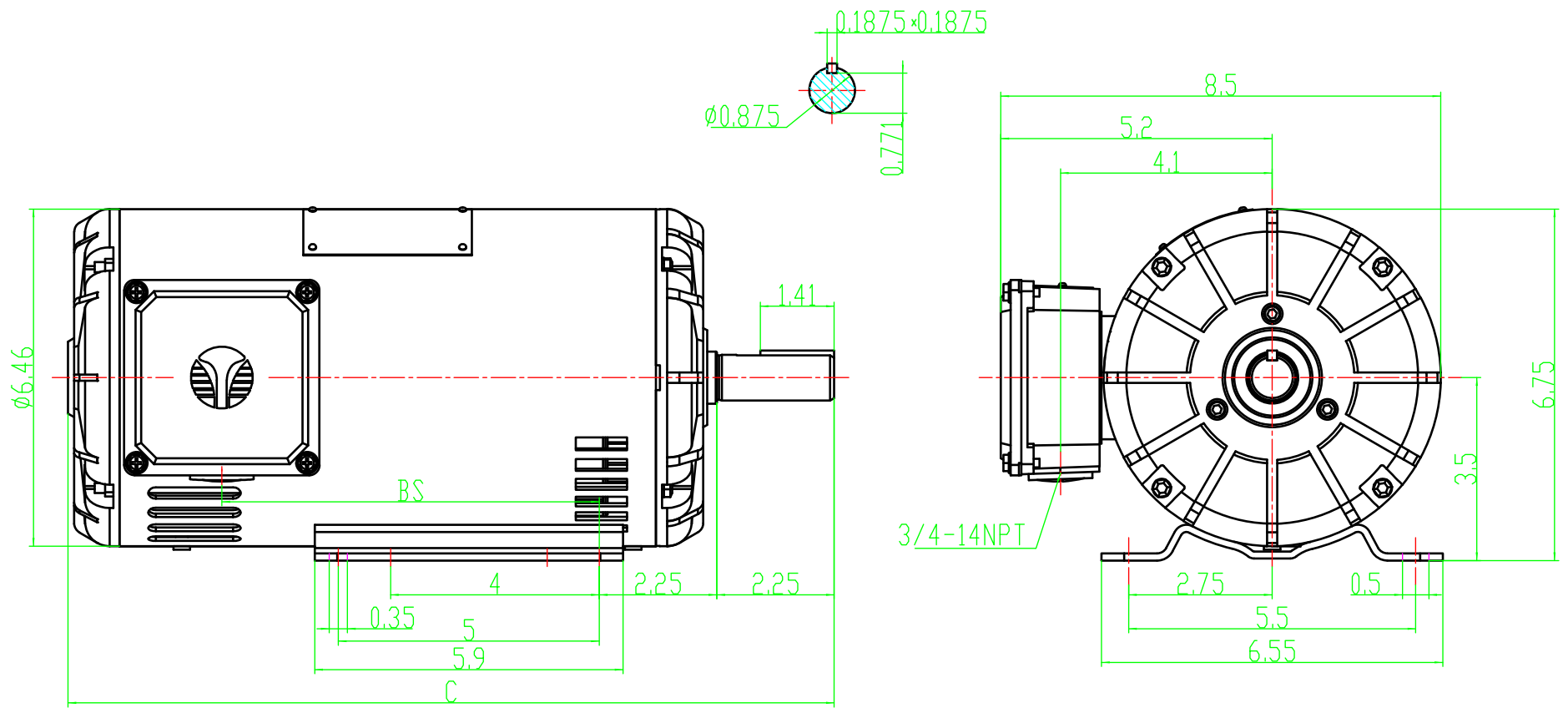


FRAME: HP: RPM: PHASE: VOLT: ENCL: FREQ: FLA: LRA:



	TXD145T1U6	36.64	14.1
	TXD145T2U4	38.02	15.5
	TXD145T1.5U4	37.23	14.7
	TXD143T1U4	36.64	14.1
	TXD145T3U2	36.64	14.1
	TXD145T2U2	36.64	14.1
	TXD143T1.5U2	35.85	13.3
	TXD143T1U2	35.85	13.3
代号	型号	BS	C



MODEL: TXD140T
 REV.DESC:

SCALE: 1:2 DATE: UNITS:
 VERSION: REVISED: BY:

WWW.TECHTOP.COM