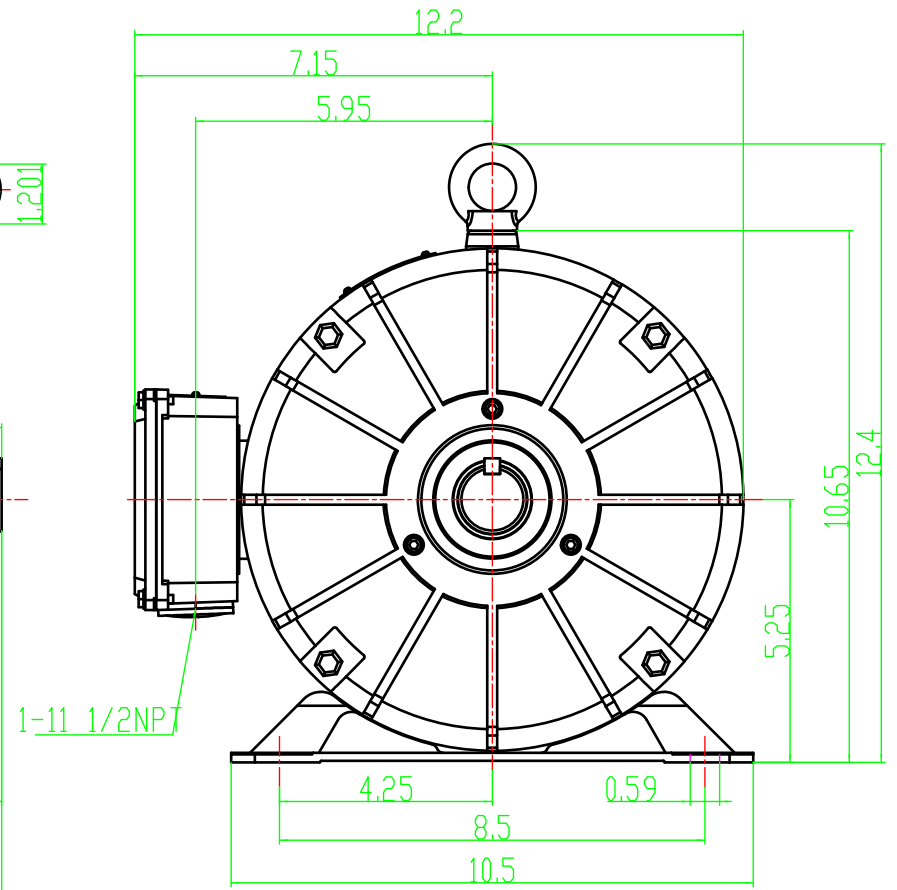
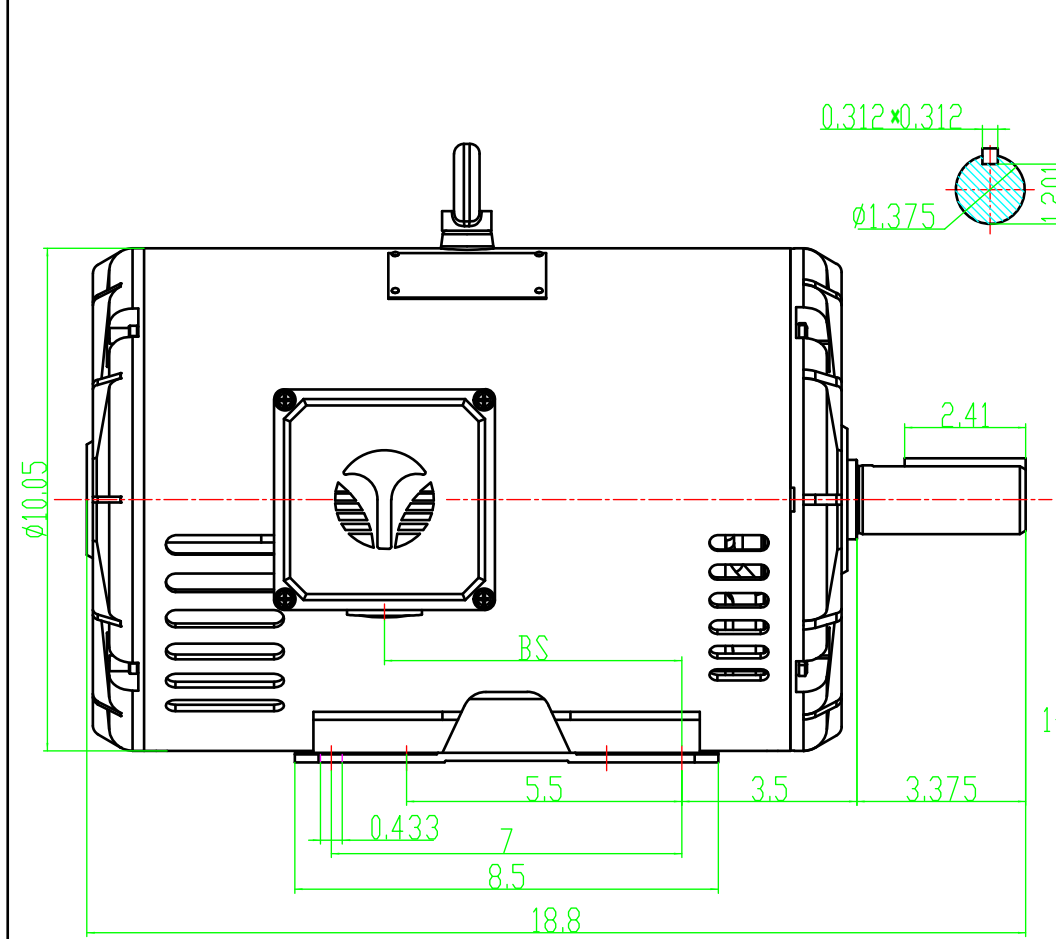


FRAME: HP: RPM: PHASE: VOLT: ENCL: FREQ: FLA: LRA:



TXD215T5U6	5.16	18
TXD213T3U6	4.37	17.2
TXD215T10U4	5.95	18.8
TXD213T7.5U4	5.16	18
TXD215T15U2	5.95	18.8
TXD213T10U2	5.16	18
代号	型号	BS C



MODEL: TXD210T
 REV.DESC:

SCALE: 1:2.5 DATE:
 VERSION: REVISED:

UNITS:
 BY:
 WWW.TECHTOP.COM