

Product Information Packet

January 12, 2017

Data shown is for the current revision model #. Ensure your nameplate model # matches.

Model Number:	5KS286CAA115C
Catalog Number:	E9666
Instruction Manual:	GEI-56128
Connection Diagram:	GEM2034E-FIG9
Outline Drawing:	4002B5828RAP5221

Accessory Connection Diagrams			
Bearing Thermocouple:	None	Heater:	None
RTD:	None	Thermistor:	None
Thermostat:	3027JE-2A	Winding Thermocouple:	None
Bearing RTD:	None		

Table of Contents

Specification	01
Performance Characteristics	02
Outline Drawing	03
Connection Drawing(s)	04
Spare parts	05



Marks:

MODEL NUMBER:	5KS286CAA115C	Estimated Weight:	510 Lbs
Outline Drawing:	4002B5828RAP5221	Time Rating:	CONT
Connection Diagram:	GEM2034E-FIG9	Enclosure:	TEFC
Instruction Book:	GEI-56128	Encl Construction:	XP
Design Code:	28BD0124A	Ambient Max(°C):	40
Type:	KS	Alt Ambient Max(°C):	--
Frame:	286TS	Insulation Class:	F
Phases:	3	NEMA Design:	A
Poles:	2	Nominal Efficiency:	92.4 %
Output Power:	30HP 22.2KW	Guaranteed Efficiency:	91.0
RPM:	3550	3/4 Load Efficiency:	93.3
Voltage:	230/460	KVA Code:	G
Hertz:	60	Max KVAR:	5.1
Amps - FL:	66.0/33.0	Power Factor:	92.0
Service Factor:	1.00	Bearing - DE:	6310ZC3
Alt Service Factor:	--	Bearing - ODE:	6310ZC3

Enclosure is Totally Enclosed Fan-Cooled

Stamped Nameplate Notes:

EXPLOSION PROOF MOTOR
TEMP CODE T3C
THERMOSTAT LEADS TB1-TB2
STAMP NP249A5571AD "CL I (C & D) CL II (F & G)"

Additional Information:

2P - TS EXTN
STANDARD FLOOR MOUNT
C/BOX 250 CU IN-2.00 NPT
F1 CONDUIT BOX MOUNTING
AUX LEADS EXIT WITH MOTOR LEADS
CL I C & D CL II F & G EXPLOSION PROOF MOTOR

Performance Characteristics

1st Winding 1st Connection

Design: 28BD0124A

Marks:

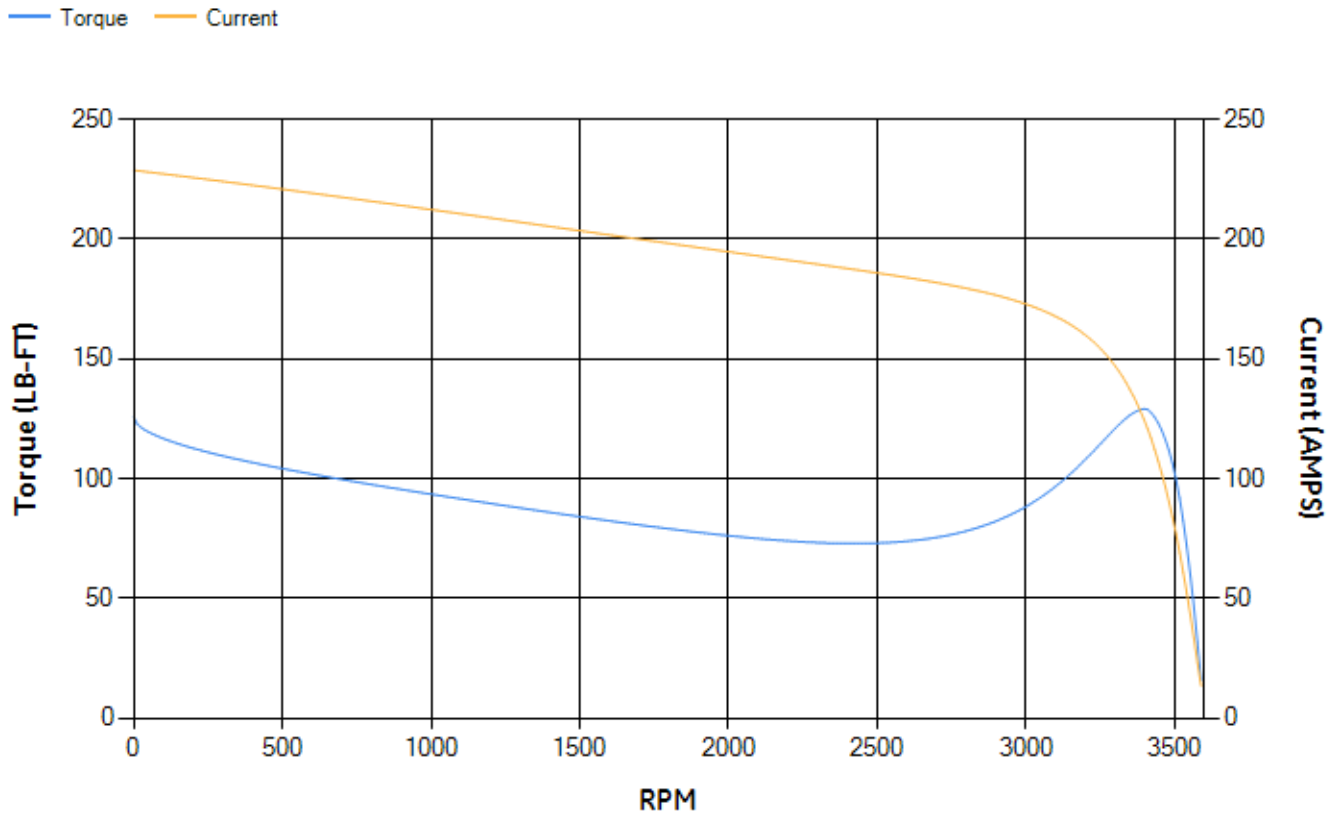
LOAD %	125.0	115.0	100.0	75.0	50.0	25.0	0.0
% EFF	91.57	92.04	92.84	93.32	93.26	90.64	0.00
% PF	92.08	92.21	92.16	91.04	86.98	71.82	8.57
AMPS	41.63	38.05	32.82	24.79	17.31	10.78	7.07

TORQ(FL)#FT	44.36	TORQ(LR)%FL	283.53	TORQ(BD)%FL	290.07
AMPS(LR)	228.74	PF AT START	0.42		

This motor is capable of two cold or one hot start with a maximum connected load inertia of 99 Lb-Ft Sq (4.17 Kg-meter Sq) at 100% voltage, where the load torque varies with the square of the speed. Acceleration time with maximum inertia and the above load type is 15 seconds. Safe stall time at 100% voltage is 34 seconds cold, 19 seconds hot. Rotor inertia is 2.8 Lb-Ft Sq (0.12 Kg-meter Sq).

Open Circuit A-C:	0.923	Short Circuit D-C:	0.013
Short Circuit A-C:	0.025	X/R Ratio:	4.813
Stator Slots:	48	Rotor Slots:	38

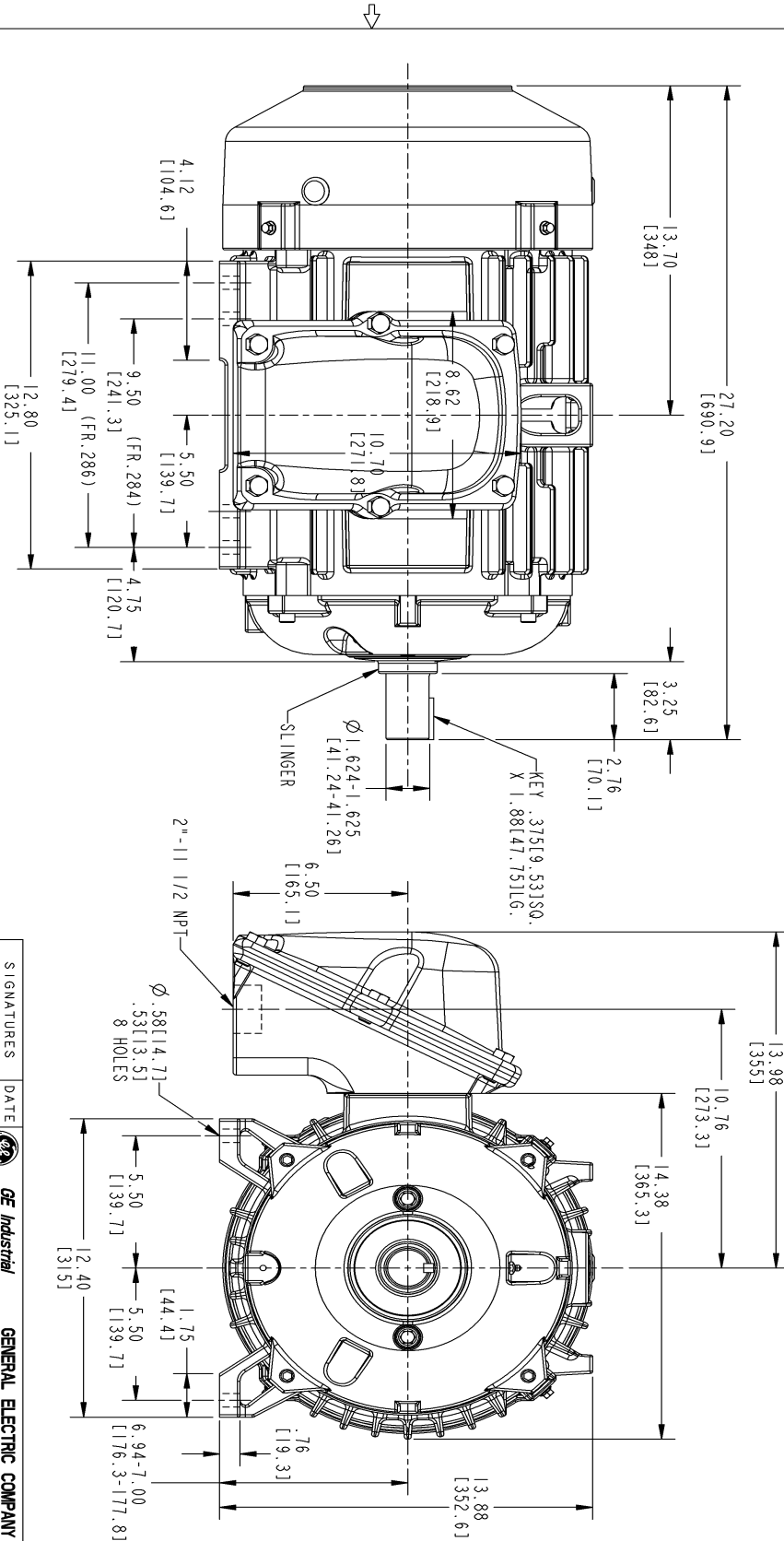
Speed Torque Current Curve (First Connection, First Speed)



NAME:501650421 OBJECT:4002B5828RAP5221 DATE:13-Mar-09 16:49:41

Marks:

NOTE 1: CONDUIT BOX MAY BE ASSEMBLED WITH ENTRANCE UP, DOWN OR TO EITHER SIDE.
 NOTE 2: F1 ASSEMBLY AS SHOWN. F2 ASSEMBLY CONDUIT BOX ON OPPOSITE SIDE FROM SHOWN LOCATION.

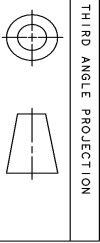


SIZE DRAWING NO. 4002B5828RAP5221

SH 2 REV

REVISIONS

REV.	DESCRIPTION	DATE	APPROVED
1	AS PER ISAC-07-1243	09/07/07	ROOPA
2	ISAC NO.#09-0164 PRADEEP	03/13/09	ADINARAYANA

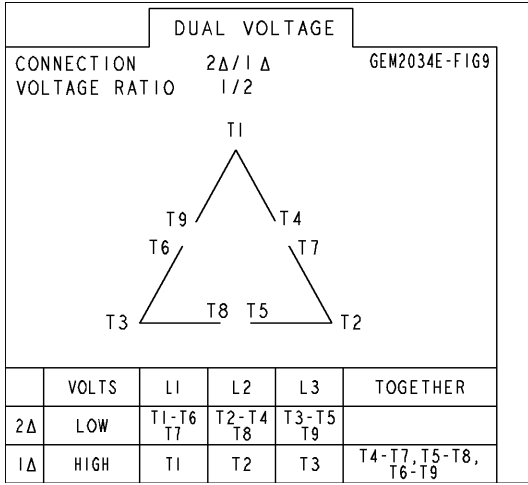


SIGNATURES	DATE	GE Logo	GENERAL ELECTRIC COMPANY
DRW: P. RAJU	02/02/14	Systems	Fort Wayne, Indiana
CHECKED: ADINARAYANA	02/02/14		
ENGR: ADINARAYANA	02/02/14		
ISSUED: P. RAJU	02/02/14		
APPLIED PRACTICES			
SIZE: DRAWING B			
SCALE: 0.250	REF. NO.: 4002B5828RAP5221		
INDUCTION MOTOR OUTLINE			
STANDARD TS EXTENSION			
FNF: FR280TS TFC EXPLOSION PROOF			
4002B5828RAP5221			
REV. 2			

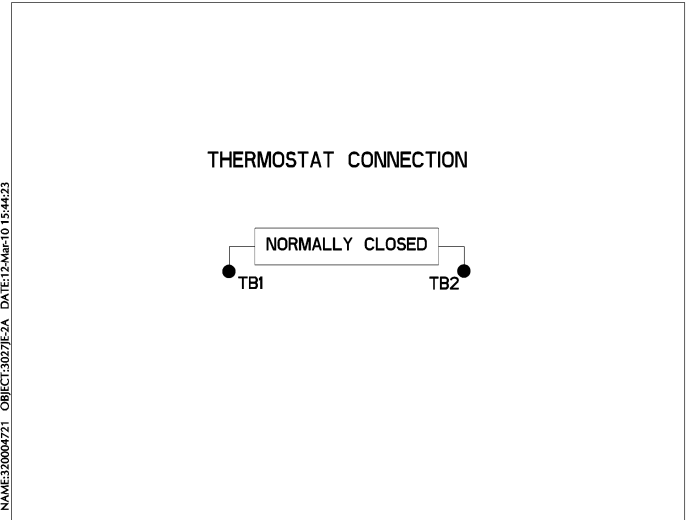
DISTRIBUTION: PMP-18K15

Marks:

Connection Diagram
GEM2034E-FIG9



Thermostat Connection
3027JE-2A



End shield Assembly		
Part Description	DE Side Part#	ODE Side Part#
End Shield	4004D5274PA1	4004D5274SA1
Bearing		
Slinger/Inproseal		

Fan & Fan Cover Assembly	
Part Description	Part#
Fan	159C6704G02
Fan Cover	

Conduit & Accessories Box Assembly	
Part Description	Part#
Conduit Box	4002B5732RA-G01

Mechanical Accessories	
Part Description	Part#
Brake	
Tachometer	