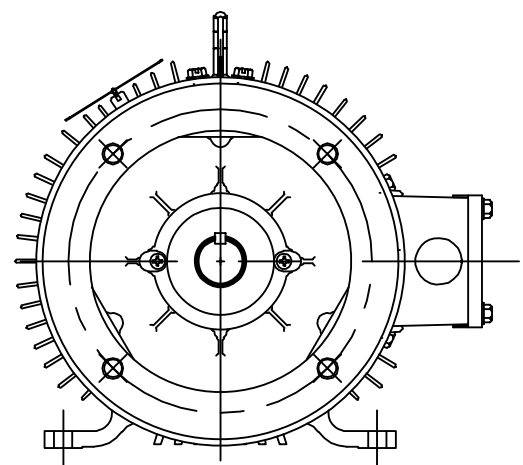
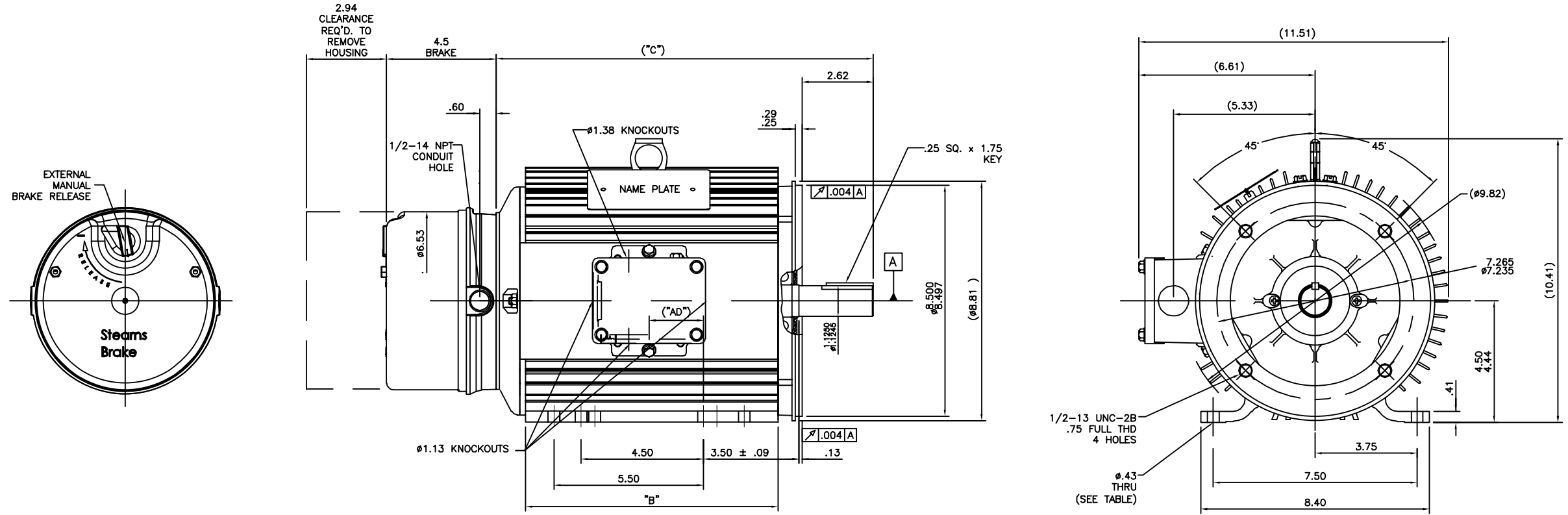


036115ME



DASH NO	“C”	“AD”	“B”	FOOT HOLES
950	13.89	2.00	9.3	12

TOLERANCES UNLESS SPECIFIED		DRAWN PVR 02/05/15	
DEC.	INCHES	CHK ST 02/05/15	
.X	±.1	APPD	
.XX	±.03	SCALE 3=8	
.XXX	±.005	REF 035844ME	
.XXXX	±.0005	FMF	
NO.	REVISION	BY & DATE	PREV
THIS DRAWING IN DESIGN AND DETAIL IS OUR PROPERTY AND MUST NOT BE USED EXCEPT IN CONNECTION WITH OUR WORK ALL RIGHTS OF DESIGN AND INVENTION ARE RESERVED THIS IS AN ELECTRONICALLY GENERATED DOCUMENT - DO NOT SCALE THIS PRINT		CHK ANG ±1/2°	FINISH
		RFP	CAD FILE 036115ME
		DIST	SIZE B DRAWING NO. 036115ME
			REV.



TITLE 182/184T-RIGID-TENV-C FACE OUTLINE
MAT'L. BRAKE