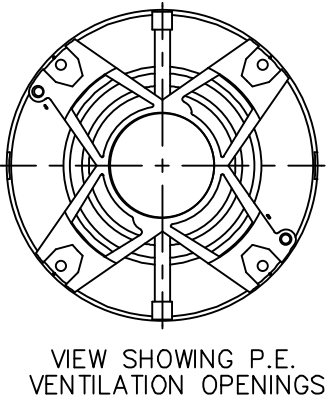
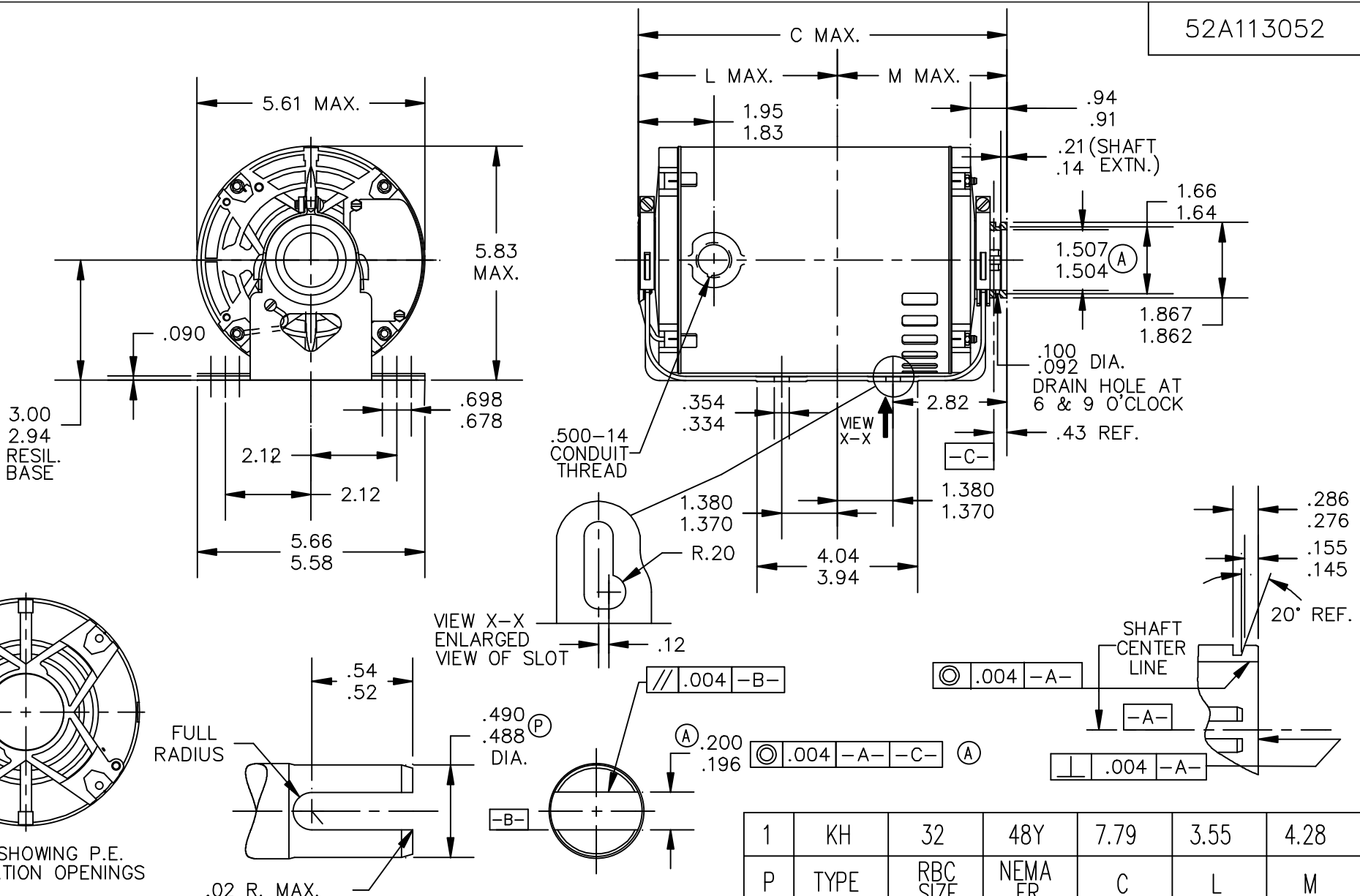


52A113052

CONTROL SURFACES & DIMENSIONS  
 (P) PROC.  
 (E) ENG.  
 (A) APPL.  
 (R) REG.



1	KH	32	48Y	7.79	3.55	4.28
P	TYPE	RBC SIZE	NEMA FR	C	L	M

		TOLERANCES UNLESS SPECIFIED		REGAL-BELOIT CORPORATION		DRAWN GD 10/25/05		
		DEC.	INCHES	REGAL-BELOIT CORPORATION		CHK		
		.X	±0.1			APPD GD 10/25/05		
3	PART # 2 DELETED AS PER IS12-4648	UD	9/26/12	KK	.XX	±0.02	SCALE 1=1	
2	CHG GD LD FROM 4:30 TO 7:30 PER IS11-0510.	UD	9/24/12	PKG	.XXX	±0.005	REF	
1	ADDED CORE SET TO PART #2.	KK	13/03/12		.XXXX	±0.0005	FMF	
NO.	REVISION	BY & DATE	CHK	ANG	FINISH		PREV	
			RFP		CAD FILE	52A113052	SIZE A	
THIS DRAWING IN DESIGN AND DETAIL IS OUR PROPERTY AND MUST NOT BE USED EXCEPT IN CONNECTION WITH OUR WORK ALL RIGHTS OF DESIGN AND INVENTION ARE RESERVED THIS IS AN ELECTRONICALLY GENERATED DOCUMENT - DO NOT SCALE THIS PRINT						DIST	DRAWING NO. 52A113052	REV. 3