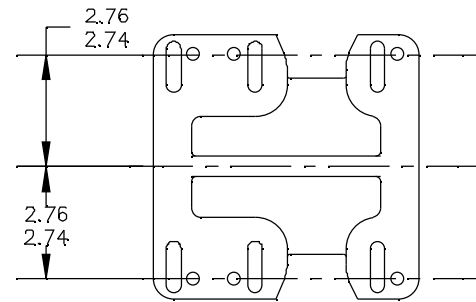
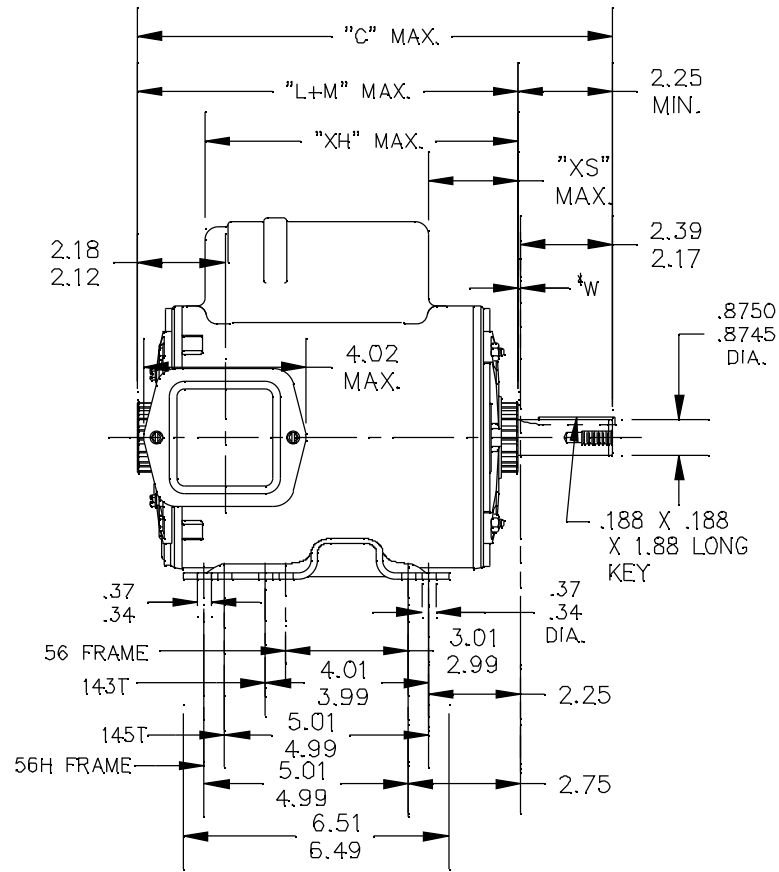


ENLARGED VIEW OF SHAFT EXTENSION



* W IS A VARIABLE CLEARANCE DUE TO VARIATIONS IN PARTS AND ASSEMBLY

ALL DIMENSIONS ARE IN INCHES

1	KC	49	143T 145T	12.28	10.01	8.30	8.95	2.40	2.64		7.68
P	TYPE	RBC SIZE	NEMA FR.	"C"	"L+M"	"XH"	"XO"	"XR"	"XS"		MIN. SHELL

				TOLERANCES UNLESS SPECIFIED		REGAL-BELOIT CORPORATION		DRAWN M.A.M 05/13/94			
				DEC.	INCHES			CHK			
				.X	±0.1	TITLE		SCALE 1=1			
				.XX	±0.02			TENV - BEARING - WELDED BASE FMF - 40 FRAME REDESIGN (5KC49SN8060T)		REF	
3	REDRAWN IN DRAFT SIGHT NO CHANGES	PVR 10/16/12	PKG	.XXX	±0.005	FINISH				PREV	
2	TAPPING ADDED PER ISO9-1251	AMI 04/03/09		.XXXX	±0.0005			MAT'L.		FMF	
NO.	REVISION	BY & DATE	CHK	ANG	±1.0	CAD FILE				DRAWING NO.	
				DIST				52A109621		A 52A109621	

THIS DRAWING IN DESIGN AND DETAIL IS OUR PROPERTY AND MUST NOT BE USED EXCEPT IN CONNECTION WITH OUR WORK ALL RIGHTS OF DESIGN AND INVENTION ARE RESERVED THIS IS AN ELECTRONICALLY GENERATED DOCUMENT - DO NOT SCALE THIS PRINT