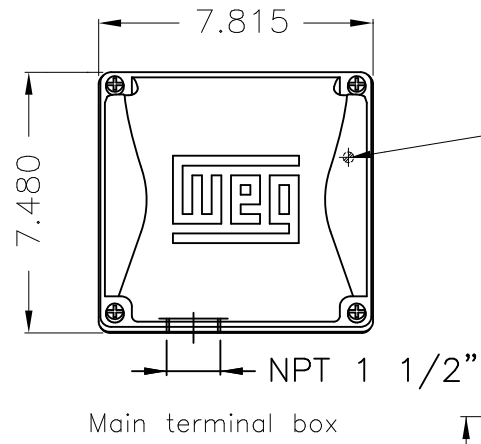
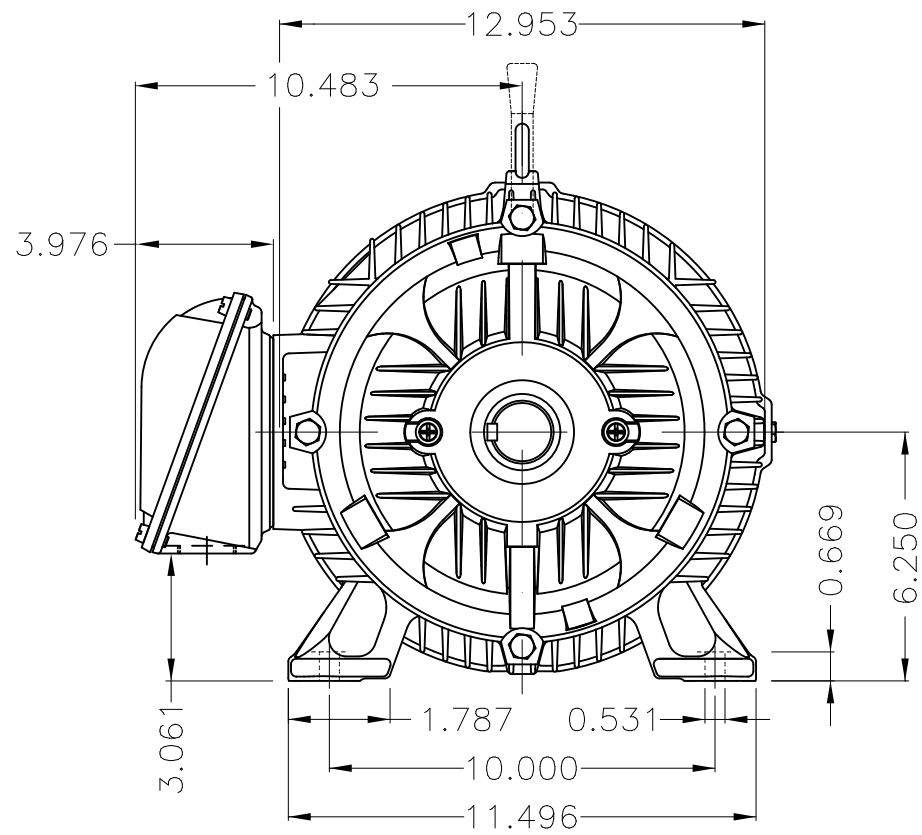
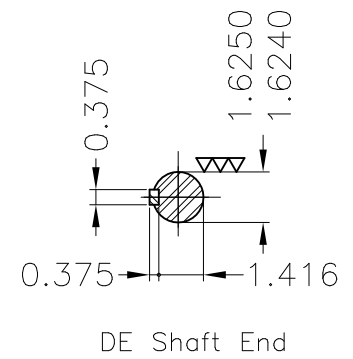
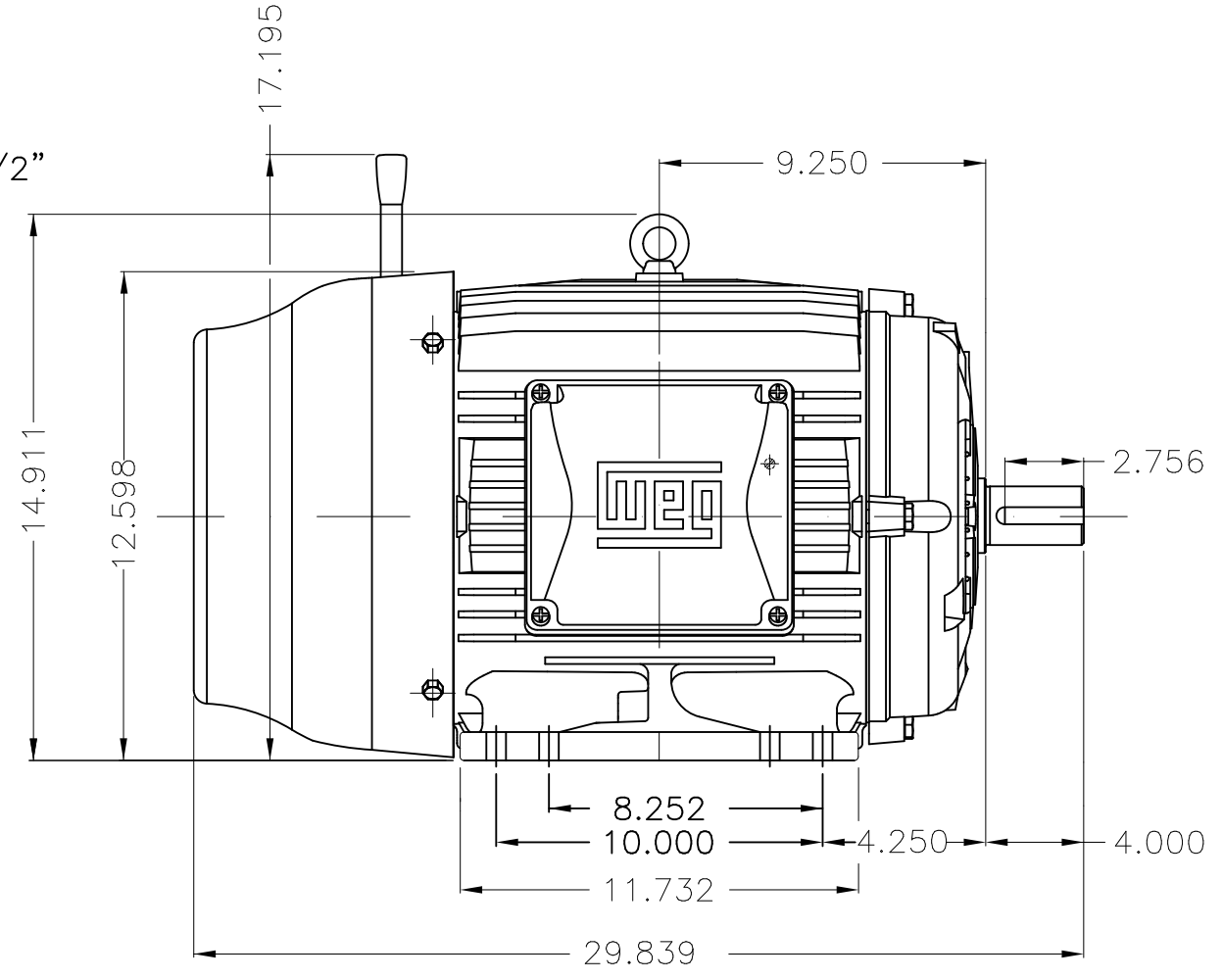


Dimensões em polegada  
Dimensions in inches

THIS IS AN UPDATED REVISION, THE  
PREVIOUS ONE MUST BE DISREGARDED.



Grounding for leads 5.2–25 mm<sup>2</sup> / 10–4 AWG



Brake voltage 440–480 V  
Color RAL 5009  
Painting plan 203A  
Mounting B3R(D)

| ECM      | LOC        | SUMMARY OF MODIFICATIONS                       | EXECUTED            | CHECKED | RELEASED | DATE | VER |
|----------|------------|------------------------------------------------|---------------------|---------|----------|------|-----|
| EXECUTED | USERADMIN  | W22 THREE PHASE BRAKE MOTOR - NEMA PREMIUM EFF |                     |         |          |      |     |
| CHECKED  |            | FRAME 254/6T IP55 TEFC                         |                     |         |          |      |     |
| RELEASED |            | WEG code: 13474049                             |                     |         |          |      |     |
| REL DT   | 24.07.2017 | WMO Jaragua do Sul                             | Product Engineering | SHEET   | 1 / 1    |      |     |



5 HP 08 Poles 60Hz