

DATE
APRIL 26, 2004
CATALOG NO.
HB7/52

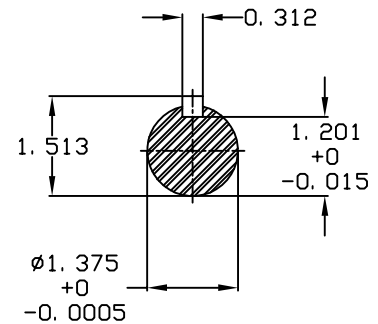
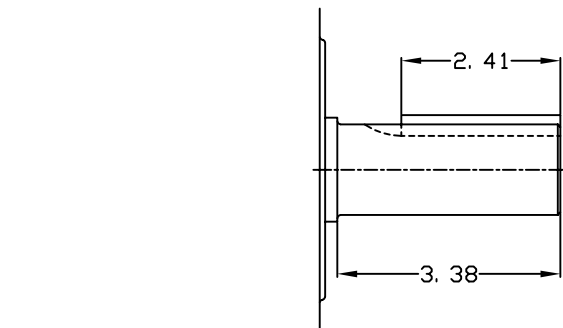
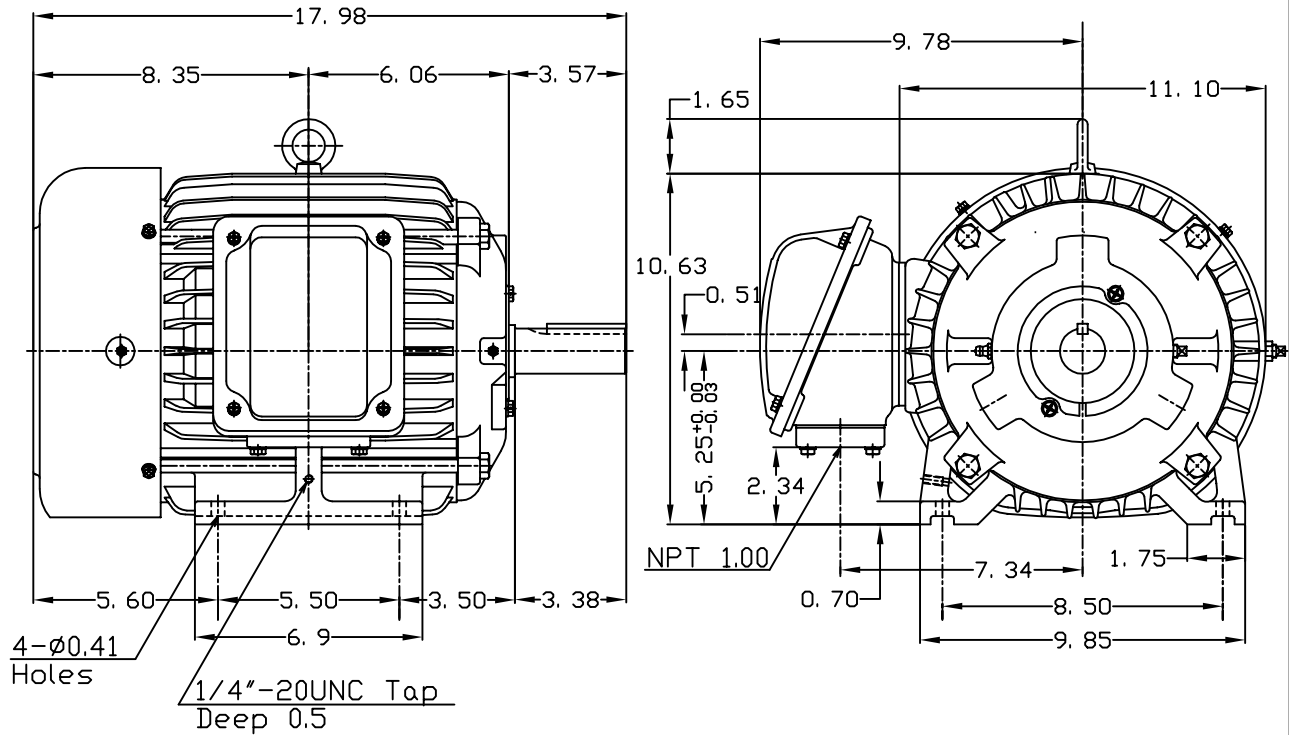
OUTLINE DIMENSIONS
3-PHASE INDUCTION MOTOR

MOTOR TYPE:
AEHH8B
FRAME NO. 213T

Pole	HP	KW	Hz	VOLT	Syn.Speed RPM
2	7.5	5.6	60	460	3600

Ins	Rating	Dimension in	Approx Weight	Bearings
F	CONT.	inches	167 lbs.	DE: 6308ZC35C NDE: 6306ZC35C

Totally Enclosed Fan-Cooled Type.Squirrel-Cage Rotor.



DWN.	胡峰誠	11·12·98
CHKD.	羅清水	11·23·98
APPD.	黃友伯	11·23·98

TEC Westinghouse

DWG NO.
31049HB893001