

Product Information Packet

November 7, 2016

Data shown is for the current revision model #. Ensure your nameplate model # matches.

Model Number:	5KS254ATE206A
Catalog Number:	E7744
Instruction Manual:	GEI-M1023
Connection Diagram:	GEM2034E-FIG7
Outline Drawing:	358B6216AA

Accessory Connection Diagrams			
Bearing Thermocouple:	None	Heater:	None
RTD:	None	Thermistor:	None
Thermostat:	None	Winding Thermocouple:	None
Bearing RTD:	None		

Table of Contents	
Specification	01
Performance Characteristics	02
Outline Drawing	03
Connection Drawing(s)	04

Marks:

MODEL NUMBER:	5KS254ATE206A	Estimated Weight:	300 Lbs
Outline Drawing:	358B6216AA	Time Rating:	CONT
Connection Diagram:	GEM2034E-FIG7	Enclosure:	DP
Instruction Book:	GEI-M1023	Encl Construction:	OPEN
Design Code:	25AD1007C	Ambient Max(°C):	40
Type:	KS	Alt Ambient Max(°C):	--
Frame:	254T	Insulation Class:	F
Phases:	3	NEMA Design:	A
Poles:	4	Nominal Efficiency:	93 %
Output Power:	15HP 11.1KW	Guaranteed Efficiency:	91.7
RPM:	1765	3/4 Load Efficiency:	93.3
Voltage:	200	KVA Code:	H
Hertz:	60	Max KVAR:	5.2
Amps - FL:	41.8	Power Factor:	81.5
Service Factor:	1.15	Bearing - DE:	6310ZZ
Alt Service Factor:	--	Bearing - ODE:	6208ZZ

Enclosure is Dripproof

Stamped Nameplate Notes:**Additional Information:**

4 POLE ODP
 LRA: 289.1 AMPS
 NO OF MOTOR LEADS: 3
 CONDUIT BOX VOLUME (IN³): 110.9
 CONDUIT BOX MTL: STAMPED STEEL
 GREASE TYPE: SHELL ALVANIA R3 LITHIUM GREASE
 50 HZ DATA: 15 HP, 200V, 49.6 AMPS @ 1.0 SF, 1470 RPM
 SOUND POWER: 74.1
 INVERTER DUTY PER NEMA MG1 PART 31
 FOR VARIABLE TORQUE LOADS

Performance Characteristics

1st Winding 1st Connection

Design: 25AD1007C

Marks:

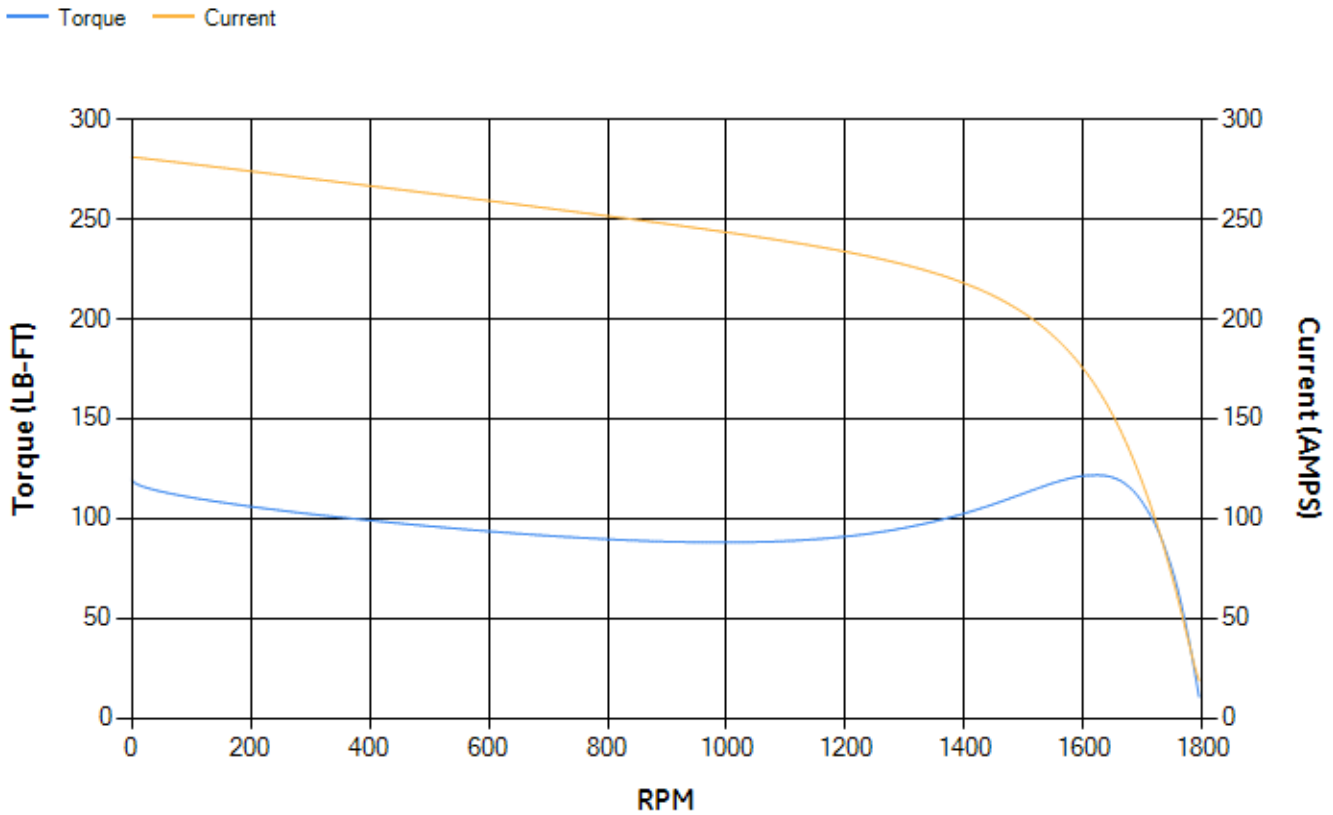
LOAD %	125.0	115.0	100.0	75.0	50.0	25.0	0.0
% EFF	92.18	92.53	93.14	93.27	92.72	89.14	0.00
% PF	84.33	83.94	82.84	78.85	69.57	48.04	5.45
AMPS	51.92	47.81	41.85	32.93	25.03	18.85	15.8

TORQ(FL)#FT	44.49	TORQ(LR)%FL	268.74	TORQ(BD)%FL	271.84
AMPS(LR)	281.15	PF AT START	0.42		

This motor is capable of two cold or one hot start with a maximum connected load inertia of 578 Lb-Ft Sq (24.33 Kg-meter Sq) at 100% voltage, where the load torque varies with the square of the speed. Acceleration time with maximum inertia and the above load type is 40 seconds. Safe stall time at 100% voltage is 68 seconds cold, 63 seconds hot. Rotor inertia is 1.76 Lb-Ft Sq (0.07 Kg-meter Sq).

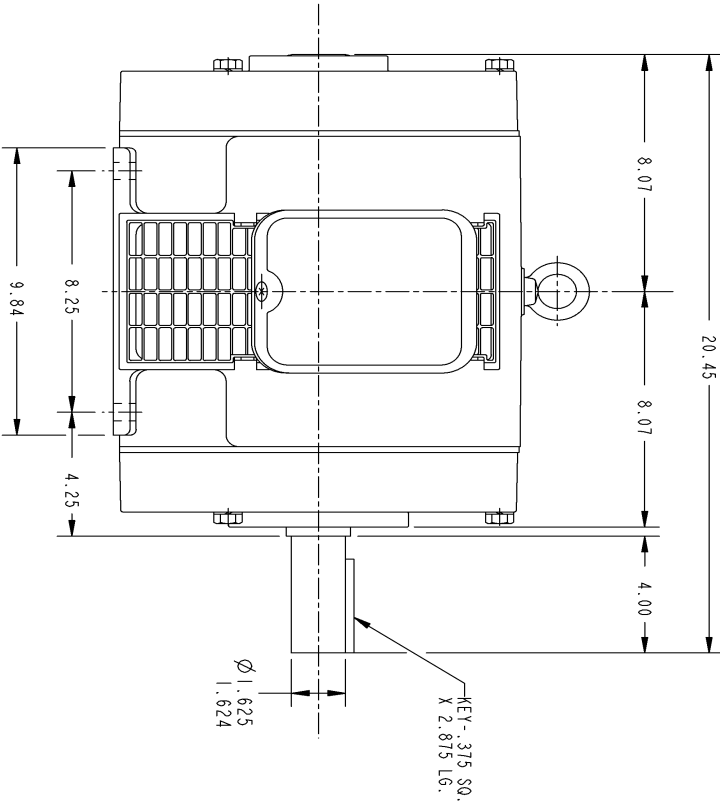
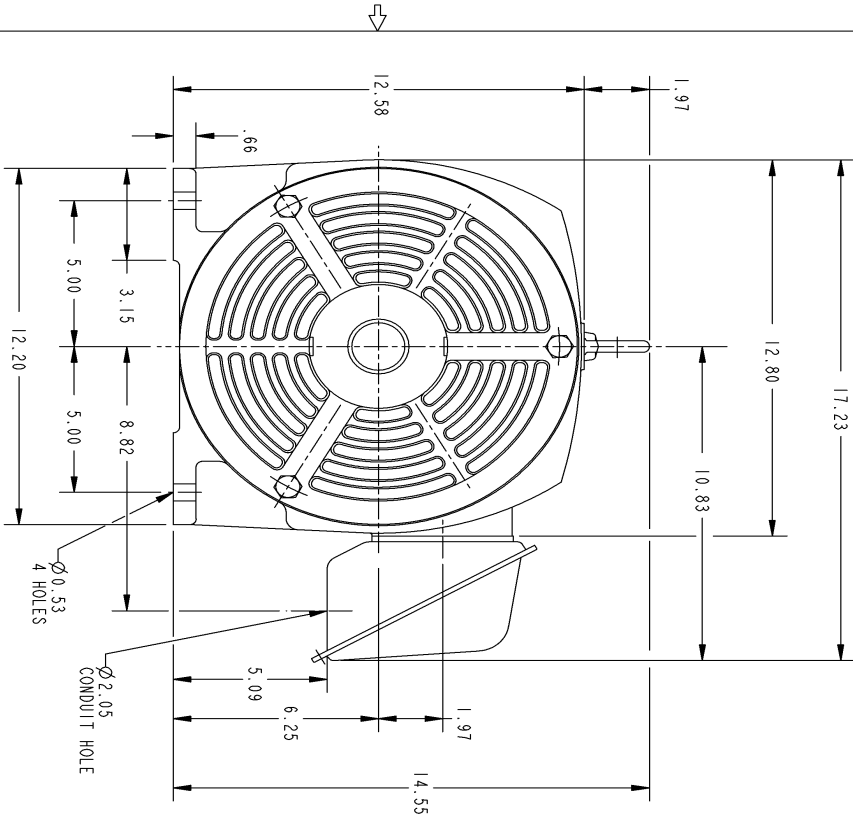
Open Circuit A-C:	0.412	Short Circuit D-C:	0.018
Short Circuit A-C:	0.02	X/R Ratio:	6.705
Stator Slots:	48	Rotor Slots:	40

Speed Torque Current Curve (First Connection, First Speed)

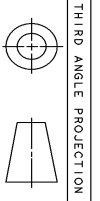


NAME:501452442 OBJECT:358B6216AA DATE:23-May-07 23:51:25

Marks:



- NOTES :
1. CONDUIT BOX MAY BE PLACED WITH THE ENTRANCE DOWN, UP OR ON EITHER SIDE.
 2. F-1 ASM AS SHOWN.
 3. F-2 ASM - HAS CONDUIT BOX ON OPPOSITE SIDE.



THIRD ANGLE PROJECTION

SIZE: B DRAWING FOR 358B6216AA
 GE PROPRIETARY INFORMATION
 This General is the property of General Electric Company (GEC) and contains confidential information. It is intended for use only on the project specified in the title block. The information contained herein shall be disclosed to other persons or organizations only by the person or persons specifically authorized by GE Industrial Systems. This General shall be returned to GEC upon its receipt and shall not be used for other projects without the express written consent of GEC.

REV.	DESCRIPTION	DATE	APPROVED
1	ISAAC 07-0770	05/02/07	R. KOHNE

UNLESS OTHERWISE SPECIFIED:		SIGNATURES		DATE	
DIMENSIONS ARE IN INCHES		DRAWN		P. RAJU 03/27/03	
TOLERANCE ON:		CHECKED		PRABHAKAR 03/27/03	
2 PL DECIMALS ± .		ENGRS			
3 PL DECIMALS ± .		ISSUED		PRABHAKAR 03/27/03	
ANGLES ± 1°		APPLIED PRACTICES			
MATERIAL:		SIZE DRAWING		REV.	
		B		1	
SCALE: DRAWING SCALE		GENERAL ELECTRIC COMPANY		Fort Wayne, Indiana	
		Systems		OUTLINE	
		254T - OPEN DRIP PROOF		358B6216AA	
DISTRIBUTION:		SHEET 1 OF 1			

Marks:

Connection Diagram
GEM2034E-FIG7

