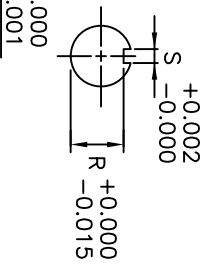
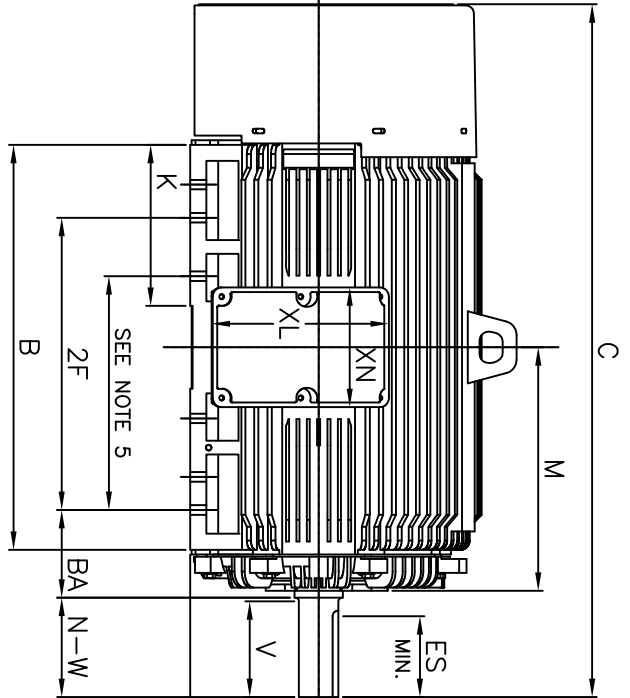


1/2"-13 UNC GND BOLT
SEE NOTE 7



UNITS: INCHES

FRAME SIZE	MOTOR DIMENSIONS										CONDUIT BOX								MAXIMUM WEIGHT
	A	B	C	D	G	J	K	M	O	P	T	A[NPT]	AB	AC	AE	AF	XL	XN	
N447T/N449T	22.0	34.7	59.3	11.00	1.4	4.6	13.8	20.9	25.0	27.0	3.0	4.00	24.0	19.7	11.00	9.2	15.2	10.2	
N447TS/N449TS	22.0	34.7	55.6	11.00	1.4	4.6	13.8	20.9	25.0	27.0	3.0	4.00	24.0	19.7	11.00	9.2	15.2	10.2	
FRAME SIZE	MOUNTING				SHAFT EXTENSION				KEY SEAT				BEARINGS				MAXIMUM WEIGHT		
	E	2F	H	BA	N-W	V	U	R	S	ES	US ROLLER	US BALL 6P	US BALL 4P	OS 4~8P	US BALL 2P	OS 2P			
N447T/N449T	9.00	20.00/25.00	0.82	7.50	8.50	8.25	3.375	2.880	0.875	6.88	NU322C3	6322C3	6318C3	6318C3	-	-			
N447TS/N449TS	9.00	20.00/25.00	0.82	7.50	4.75	4.50	2.375	2.021	0.625	3.00	-	6318C3	6318C3	6318C3	6313C3	6313C3			
																3800 lbs.			

- NOTES:
- DIMENSION V REPRESENTS LENGTH OF STRAIGHT PART OF SHAFT
 - MAIN CONDUIT BOX MAY BE ROTATED IN 90° INCREMENTS
 - KEY DIMENSIONS EQUAL S x S x 6.91 (MOTOR SUPPLIED WITH KEY)
 - MOTOR WEIGHT SHOWN IS MAXIMUM HORSEPOWER IN FRAME
 - THIS DIMENSION EQUALS 2F FOR N447T MOUNTING
 - STANDARD PRODUCT USE BI-DIRECTIONAL FAN. OPPOSITE ROTATION AVAILABLE ONLY BY CONNECTION CHANGE
 - FRAME GROUND BOLT STANDARD ON 841 PRODUCT

CUSTOMER: _____ MOTOR MODEL NO.: _____ TAG NO's.: _____

P.O. NO.: _____ HP: _____ VOLTAGE: _____ RPM(SYN.): _____ HZ: _____
 FRAME SIZE: _____ PRODUCT TYPE: IEFEC EOP III 840
 COMMENTS: _____

 PER: _____ DATE: _____

TOSHIBA RESERVES THE RIGHT TO MAKE CHANGES OF TECHNICAL IMPROVEMENT AND THE DATA MAY CHANGE WITHOUT NOTICE PRELIMINARY
 DO NOT USE FOR CONSTRUCTION, INSTALLATION, OR APPLICATION PURPOSES UNLESS THE DRAWING IS MARKED AS CERTIFIED CERTIFIED

- STANDARD (NO AUX. BOXES)
- RTD AUX. BOX
- SPACE HEATER AUX. BOX
- BEARING RTD's

TOSHIBA
TOSHIBA INTERNATIONAL CORPORATION

TOTALLY-ENCLOSED FAN-COOLED
HORIZONTAL FOOT-MOUNTED
3 PHASE INDUCTION MOTOR
F1 ASSEMBLY

XT SERIES
VISIT OUR WEBSITE AT:
www.toshiba.com/ind