

DATE  
February 13, 2004

OUTLINE DIMENSIONS  
SINGLE-PHASE INDUCTION MOTOR

MODEL TYPE:  
BEGCFD

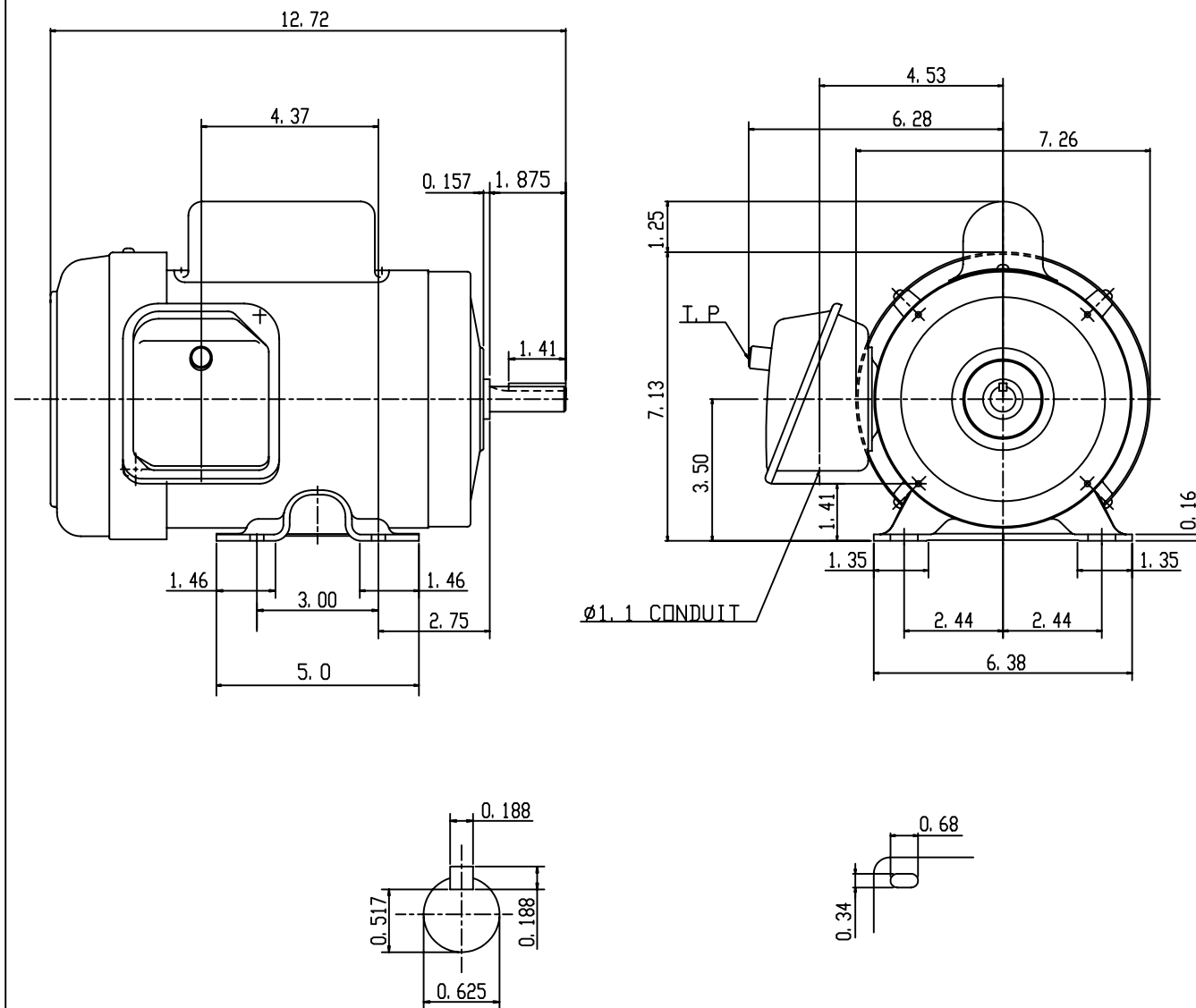
CATALOG NO.  
S0/54

FRAME NO. 56

| Pole | HP  | KW  | Hz | VOLT    | Syn. Speed<br>R. P. M |
|------|-----|-----|----|---------|-----------------------|
| 4    | 1/2 | .37 | 60 | 115/230 | 1800                  |

| Ins. | Rating | Dimensions in | Approx Weight | Bearings               |
|------|--------|---------------|---------------|------------------------|
| B    | CONT.  | inch          | 32 lbs.       | DE: 6205ZZ NDE: 6203ZZ |

Totally Enclosed Fan-cooled Capacitor Starting Type. Squirrel Rotor.



SCALE=1:3

|   |  |  |  |  |  |
|---|--|--|--|--|--|
| 1 |  |  |  |  |  |
|---|--|--|--|--|--|

|       |            |          |
|-------|------------|----------|
| APPD. | W. H. TSAI | 03 27 03 |
| CHKD. | J. B. CHEN | 03 27 03 |
| DWN.  | Y. Y. CHEN | 03 27 03 |

TECO Westinghouse

DWG NO.  
31049J753  
0005