

Dimensões em polegada  
Dimensions in inches

THIS IS AN UPDATED REVISION, THE  
PREVIOUS ONE MUST BE DISREGARDED.

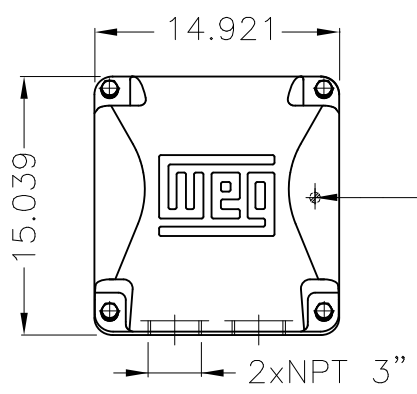
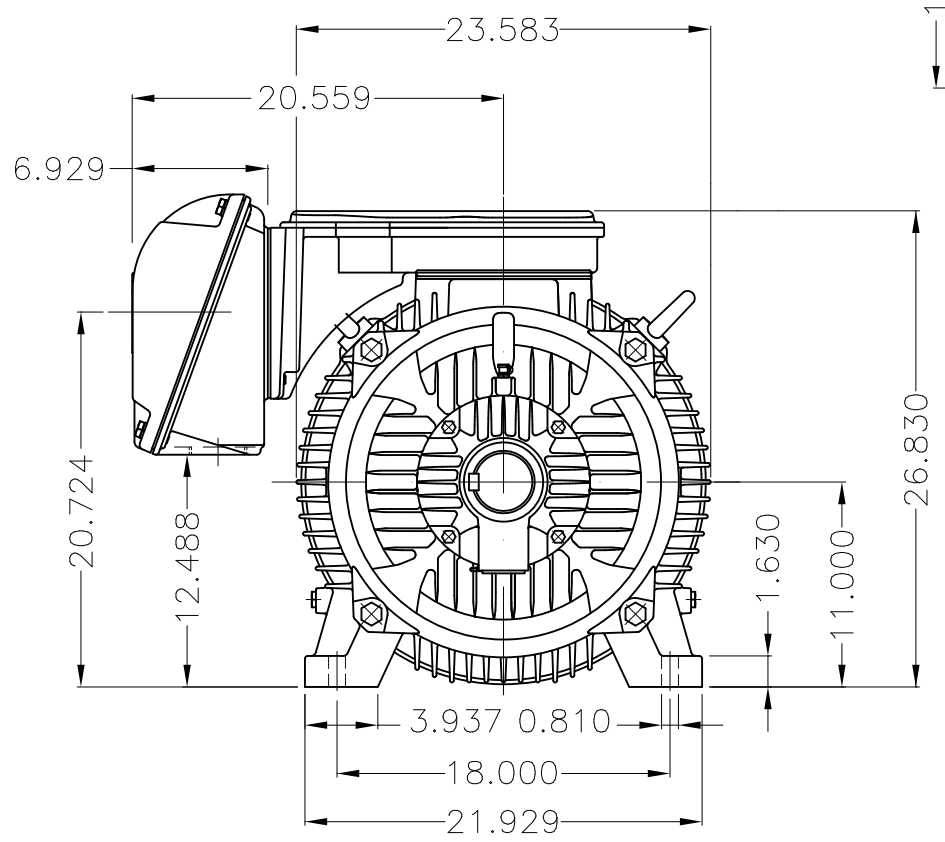
A

B

C

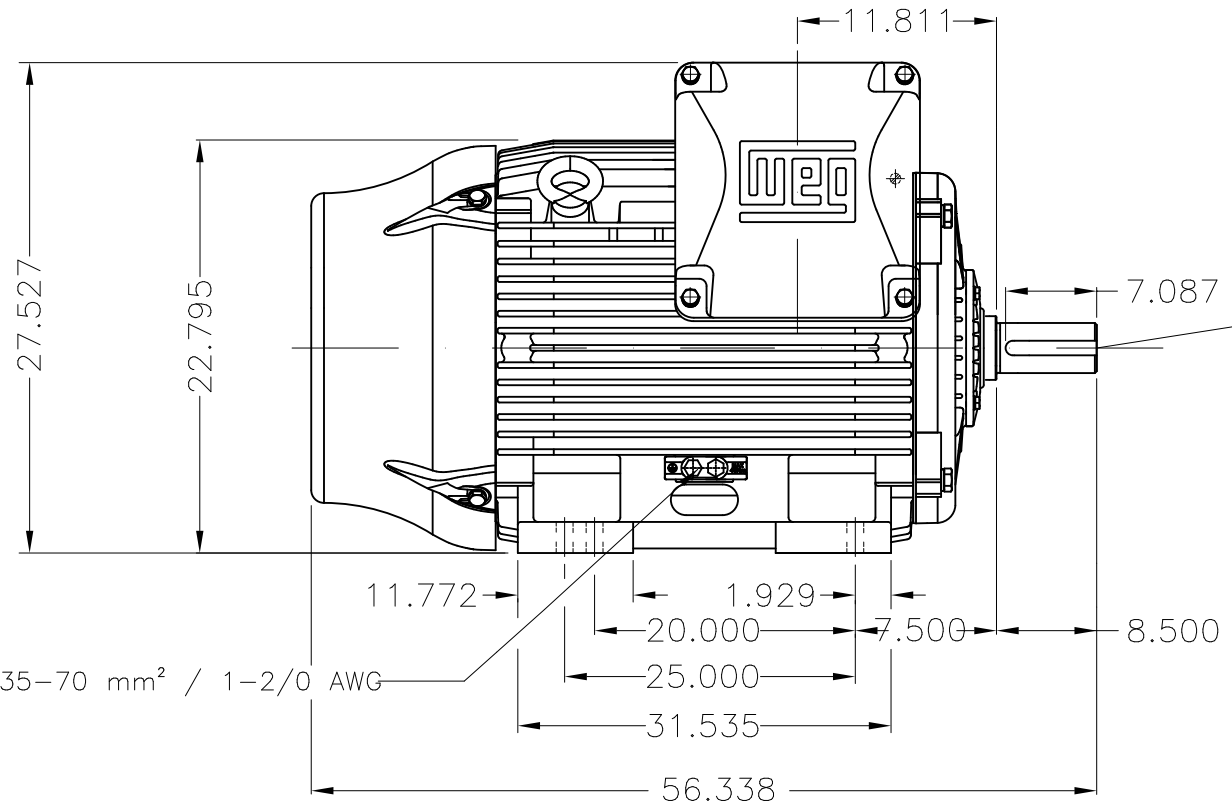
D

E



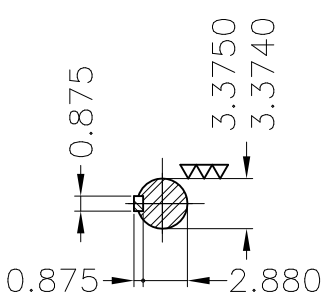
Main terminal box

Grounding for leads 35-70 mm<sup>2</sup> / 1-2/0 AWG



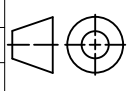
Center hole  
DUNC 3/4"-10 WEG TBG12

Grounding for leads 35-70 mm<sup>2</sup> / 1-2/0 AWG



DE Shaft End

Color RAL 6002  
Painting plan 203A  
Mounting B3R(D)

| ECM      | LOC        | SUMMARY OF MODIFICATIONS  |                |                     | EXECUTED | CHECKED | RELEASED | DATE | VER |
|----------|------------|---|----------------|---------------------|----------|---------|----------|------|-----|
| EXECUTED | USERADMIN  |  THREE PHASE W22 MOTOR-SUPER PREMIUM EFF<br>FRAME 447/9T IP55 TEFC<br>WEG code: 11792548 |                |                     |          |         |          |      |     |
| CHECKED  |            |   |                |                     |          |         |          |      |     |
| RELEASED |            |   |                |                     |          |         |          |      |     |
| REL DT   | 24.07.2017 | WMO   | Jaragua do Sul | Product Engineering | SHEET    | 1 / 1   |          |      |     |

150 HP 06 Poles 60Hz

A

