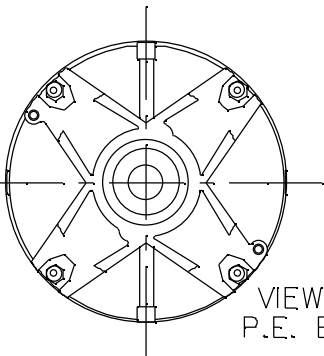
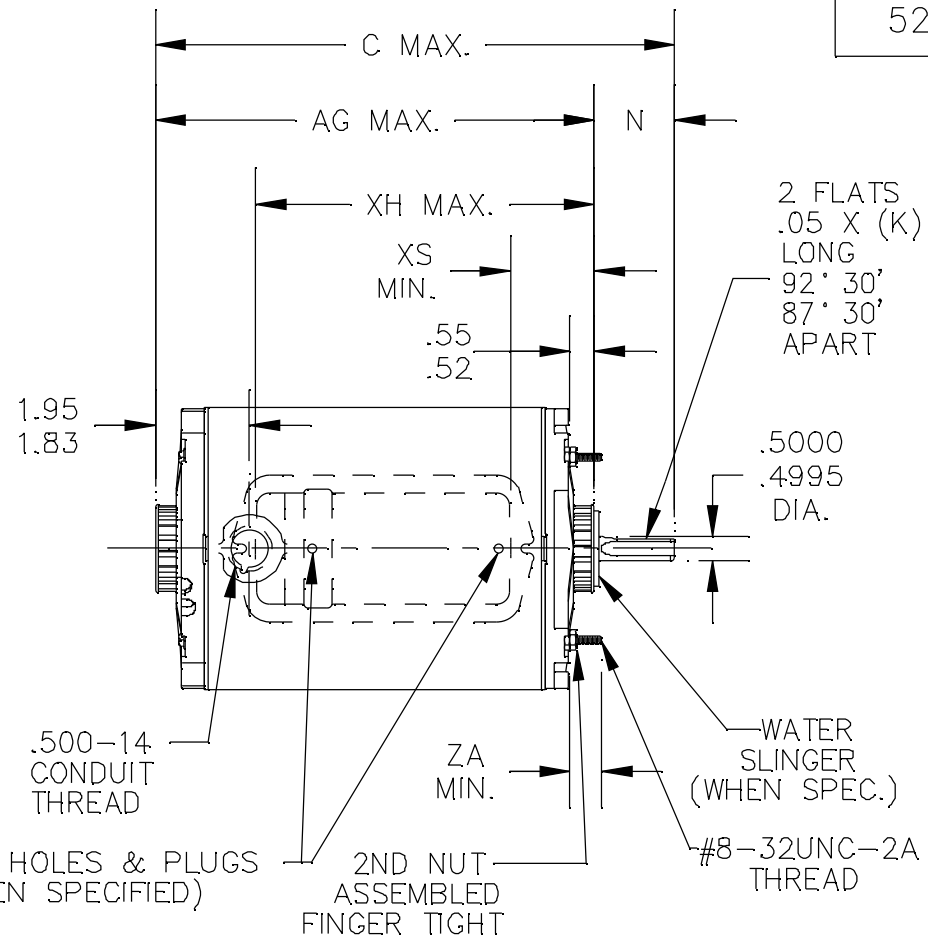
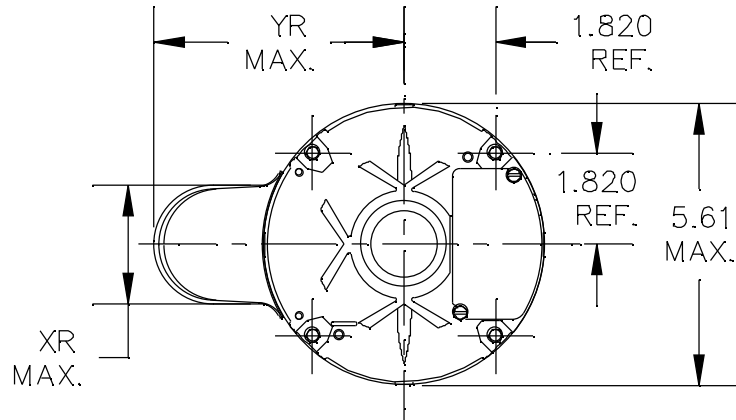


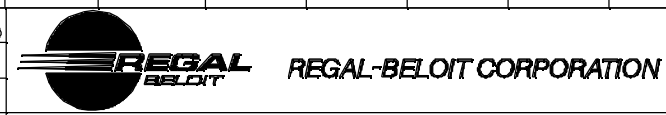
52A109371



VIEW SHOWING P.E. END SHIELD

1	KCP	33	48Z	10.18	7.56	2.16	2.63 2.50	5.03	6.58	0.96	2.40	.75
P	TYPE	RBC SIZE	NEMA FR	C	AG	K	N	YR	XH	XS	XR	ZA

				TOLERANCES UNLESS SPECIFIED		DRAWN M.D.P 04/13/94	
				DEC.	INCHES	CHK	
				.X	±0.1	APPD M.D.P 04/13/94	
3	REDRAWN IN DRAFT SIGHT NO CHANGES	PVR 10/16/12	PKG	.XX	±0.02	SCALE 1=1	
2	CHG TO RBC FORMAT PER IS05-1777	SUD 03/13/06		.XXX	±0.005	REF	
1	UPDATED CAP CVR.TI96-22479.	M.D.P 04/10/96		.XXXX	±0.0005	FMF	
NO.	REVISION	BY & DATE	CHK	ANG	±1.0	PREV	



THIS DRAWING IN DESIGN AND DETAIL IS OUR PROPERTY AND MUST NOT BE USED EXCEPT IN CONNECTION WITH OUR WORK ALL RIGHTS OF DESIGN AND INVENTION ARE RESERVED THIS IS AN ELECTRONICALLY GENERATED DOCUMENT - DO NOT SCALE THIS PRINT				RFP	CAD FILE	52A109371	SIZE	DRAWING NO.	REV.
				DIST			A	52A109371	3