

6

5

4

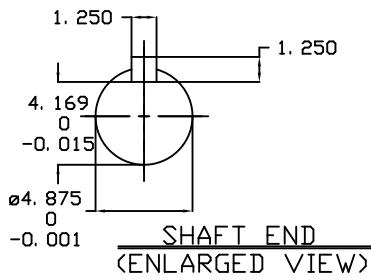
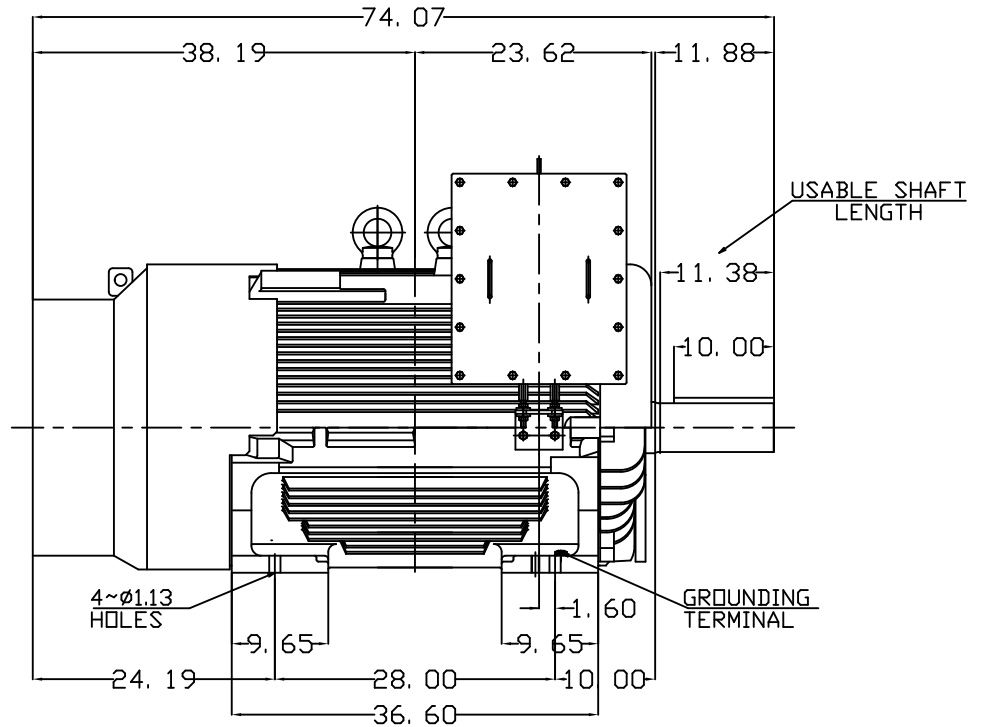
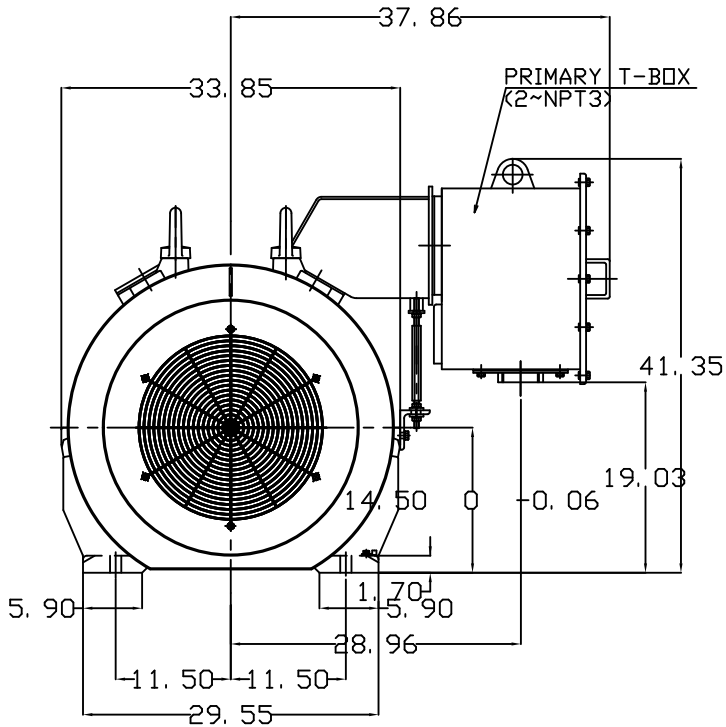
3

2

1

TYPE	OUTPUT		POLE	TIME RATING	VOLTAGE V	Hz	SYN.SPEED R.P.M
	HP.	kW.					
AEHH-8B	500	373	6	CONT.	460	60	1200

TOTALLY ENCLOSED FAN-COOLED TYPE, SQUIRREL-CAGE ROTOR



NOTE:

1. DIMENSIONS IN inch
2. FRAME NO. 5808B
3. F CLASS INSULATION, S.F.1.15
4. FOR DIRECT FLEXIBLE COUPLING
5. ENCLOSURE: IP55
6. BEARING SIZE: DRIVE-END 6326C3  
OPP. DRIVE-END 6322C3
7. BOTH ENDS BEARING ARE INPRO SEAL
8. NON-SPARKING FAN
9. MOTOR APPROX. WEIGHT: 5600 lb

DATE	3-25-2015	OUTLINE DIMENSIONS	
	HB5006	3-PHASE INDUCTION MOTOR	
DWN.	J.WU	APR-14-2014	TEC Westinghouse
CHKD.	W.CHENG	APR-28-2014	
APPD.	C.SHIH	APR-28-2014	
			DWG NO. REV:00
			4B040C151

6

5

4

3

2

1