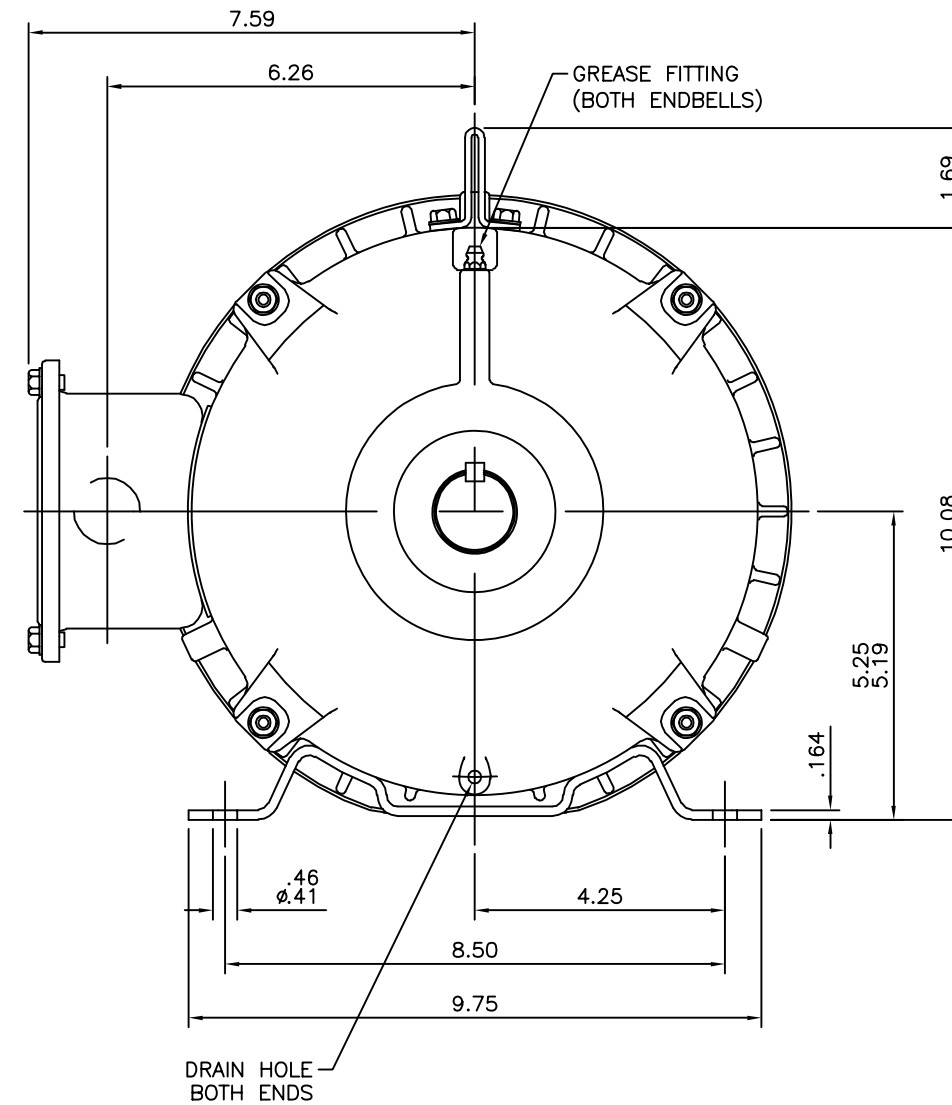
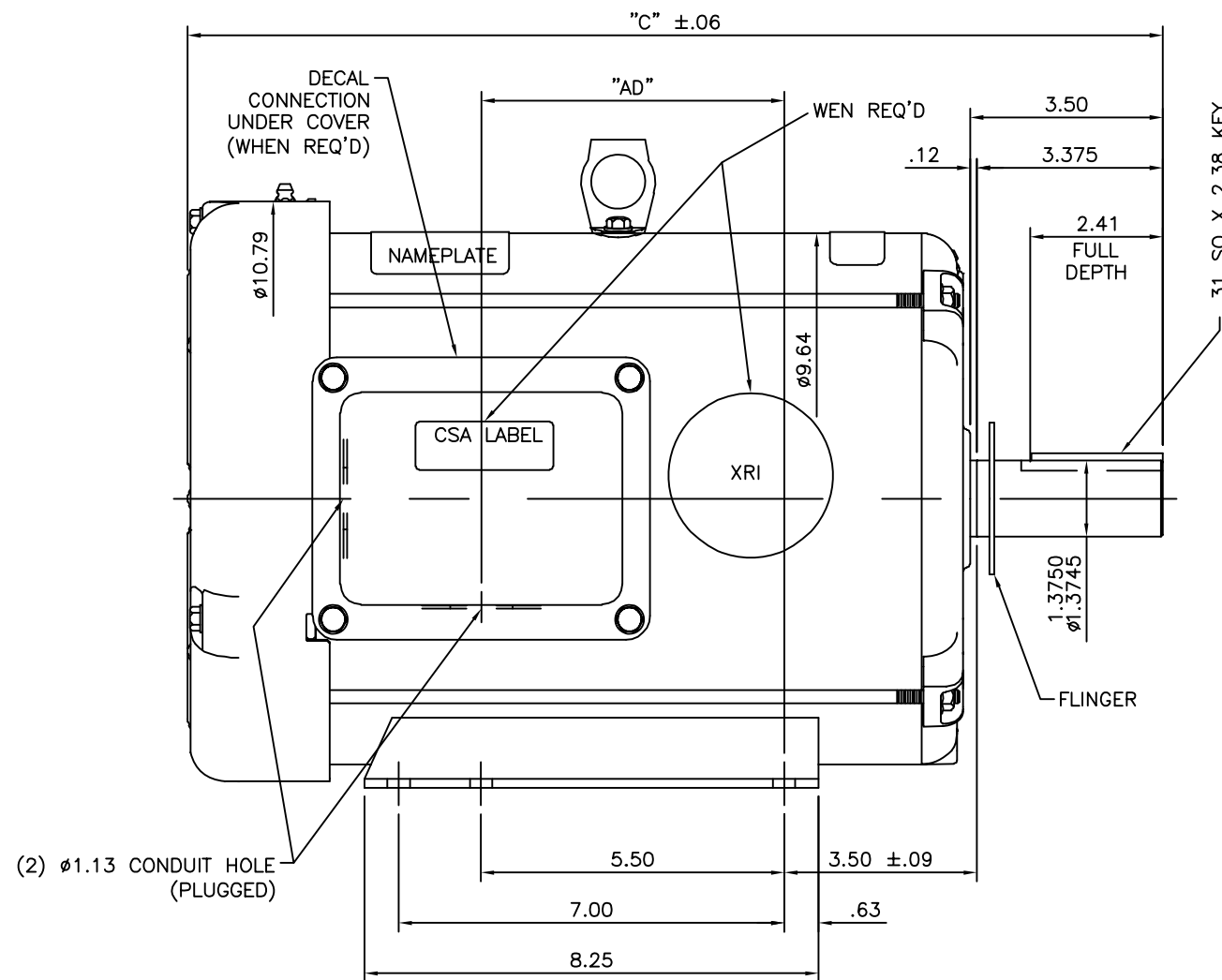


037636



(2) ø1.13 CONDUIT HOLE (PLUGGED)

GASKETS THROUGHOUT

DASH NO.	"C"	"AD"
1050	17.20	5.00
1100	17.70	5.50
1150	18.20	6.00
1200	18.70	6.50
1250	19.20	7.00
1300	19.70	7.50

				TOLERANCES UNLESS SPECIFIED		DRAWN LST 6/2/06				
				DEC.	INCHES	CHK RW 6/5/06				
				.X	±.1	APPD KH 6/5/06				
				.XX	±.03	SCALE 3=8				
02	WEN REQ'D NOTE ADDED	GR	16/07/14	.XXX	±.005	REF				
01	ADDED CSA DECAL ISAAC 11-2141	GWS	5/10/11	.XXXX	±.0005	FMF				
NO.	REVISION	BY & DATE	CHK	ANG	±1/2'	FINISH	PREV			
THIS DRAWING IN DESIGN AND DETAIL IS OUR PROPERTY AND MUST NOT BE USED EXCEPT IN CONNECTION WITH OUR WORK ALL RIGHTS OF DESIGN AND INVENTION ARE RESERVED THIS IS AN ELECTRONICALLY GENERATED DOCUMENT - DO NOT SCALE THIS PRINT				RFP		CAD FILE	037636	SIZE	DRAWING NO.	REV.
				DIST				B	037636	02

