

Product Information Packet

November 8, 2016

Data shown is for the current revision model #. Ensure your nameplate model # matches.

Model Number:	5KS254XAA300D2
Catalog Number:	M8934
Instruction Manual:	GEI-56128
Connection Diagram:	GEM2034E-FIG7
Outline Drawing:	4002B5825PBP5311

Accessory Connection Diagrams			
Bearing Thermocouple:	None	Heater:	None
RTD:	None	Thermistor:	None
Thermostat:	None	Winding Thermocouple:	None
Bearing RTD:	None		

Table of Contents

Specification	01
Performance Characteristics	02
Outline Drawing	03
Connection Drawing(s)	04
Spare parts	05



Marks:

MODEL NUMBER:	5KS254XAA300D2	Estimated Weight:	315 Lbs
Outline Drawing:	4002B5825PBP5311	Time Rating:	CONT
Connection Diagram:	GEM2034E-FIG7	Enclosure:	TEFC
Instruction Book:	GEI-56128	Encl Construction:	841
Design Code:	25BD3062A	Ambient Max(°C):	40
Type:	KS	Alt Ambient Max(°C):	--
Frame:	254TC	Insulation Class:	H
Phases:	3	NEMA Design:	B
Poles:	6	Nominal Efficiency:	91 %
Output Power:	7.5HP 5.6KW	Guaranteed Efficiency:	90.2
RPM:	1175	3/4 Load Efficiency:	91.6
Voltage:	460	KVA Code:	H
Hertz:	60	Max KVAR:	3.1
Amps - FL:	9.7	Power Factor:	79.5
Service Factor:	1.15	Bearing - DE:	6310ZC3
Alt Service Factor:	--	Bearing - ODE:	6309ZC3

Enclosure is Totally Enclosed Fan-Cooled

Stamped Nameplate Notes:

IEEE-STD-841-2009
 DE BRG 50BC03JP30 ODE BRG 45BC03JP30
 STAMP NP249A5564P051 AS BELOW:
 MODEL:5KS254XAA300D2 S/N: XXX
 CSA CERTIFIED CSA09.2216219 FOR EX NA IIC 200C GC
 CL 1 ZONE2 AEX NA IIC 200C;CL 1 DIV2 GRP ABCD 200C
 IN -25C <= AMB <= 40C, 1.0 SF ON SINE-WAVE PWR
 SURF TEMP 200C AT 1.15SF ON SINE-WAVE PWR
 OR 200 C VT OR 200 C CT OR 200 C CHP PWM CONTROL
 ALTERNATE RATING FOR PWM CONTROL 1.0SF 40C AMB
 VT 0-60 HZ, CT 3-60 HZ, CHP 60-90 HZ.

Additional Information:

6P - T EXTN
 STANDARD FLOOR MOUNT
 C/BOX 137 CU IN-1.25 NPT
 F1 CONDUIT BOX MOUNTING
 "C" FACE AT DE ENDSHIELD
 PAINTED FRAME ID & SHAFT,
 FAN COVER INSIDE & ODE E/S OUTSIDE
 ROUTINE AND 5 POINT VIBRATION TESTS INCL IN C/BOX
 INPRO SEAL BOTH ENDS
 GROUND SCREW ON FRAME
 ROTATE D.E. E/SHIELD 90 DEG. PER OUTLINE
 SHAFT RUNOUT LIMIT .001" TIR
 COPPER WASHER UNDER HEADS OF BEARING CAP BOLTS
 APPLY TITE-SEAL (A50CD427A) ON BEARING CAP SCREWS, RABBETS,

AND PLUG THREADS
OIL RESISTANT SLEEVING ON LEADS

Performance Characteristics

1st Winding 1st Connection

Design: 25BD3062A

Marks:

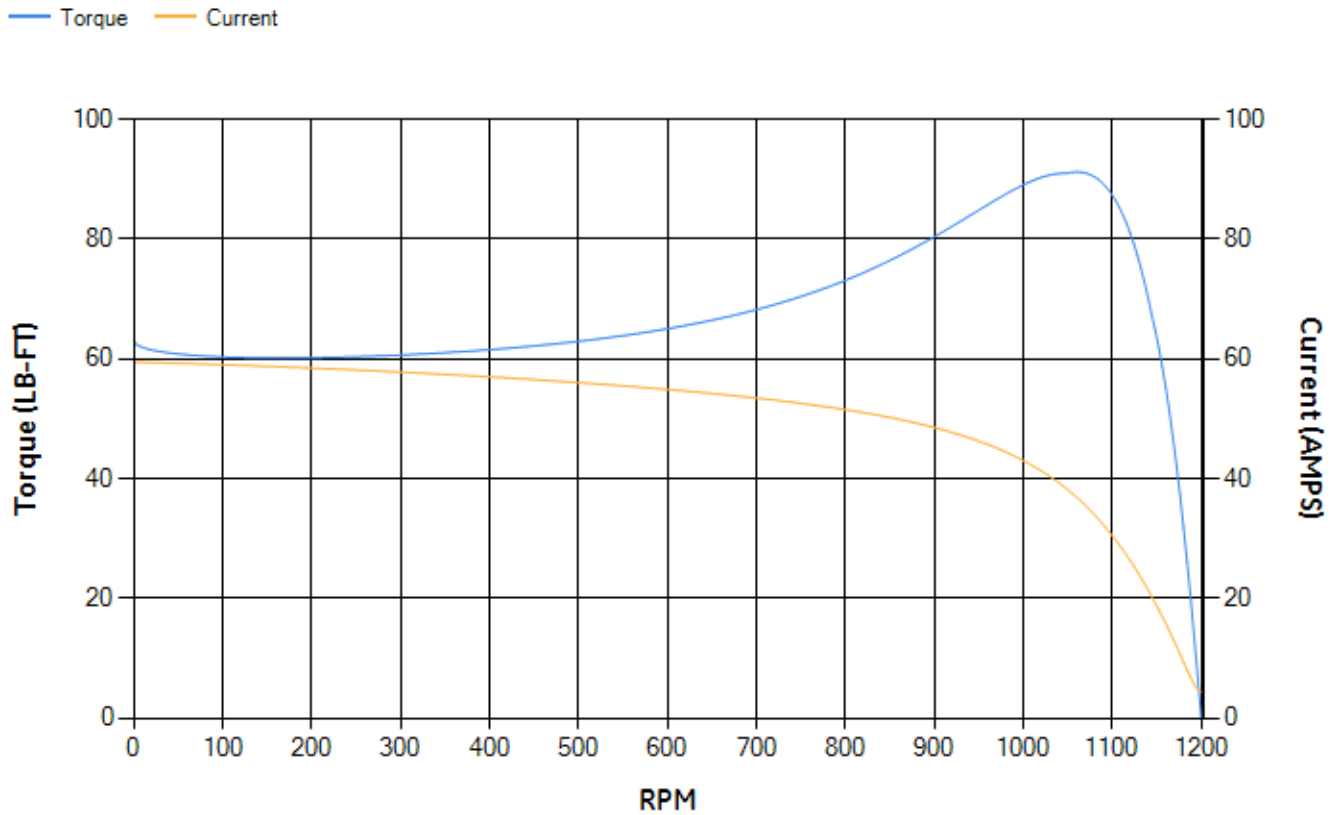
LOAD %	125.0	115.0	100.0	75.0	50.0	25.0	0.0
% EFF	90.17	90.62	91.38	91.65	91.06	86.89	0.00
% PF	81.86	81.11	79.36	73.97	62.99	41.32	5.27
AMPS	11.89	10.98	9.68	7.77	6.12	4.89	4.29

TORQ(FL)#FT	33.51	TORQ(LR)%FL	188.29	TORQ(BD)%FL	270.19
AMPS(LR)	59.47	PF AT START	0.39		

This motor is capable of two cold or one hot start with a maximum connected load inertia of 958 Lb-Ft Sq (40.33 Kg-meter Sq)at 100% voltage, where the load torque varies with the square of the speed. Acceleration time with maximum inertia and the above load type is 64 seconds. Safe stall time at 100% voltage is 142 seconds cold, 108 seconds hot. Rotor inertia is 1.9 Lb-Ft Sq (0.08 Kg-meter Sq).

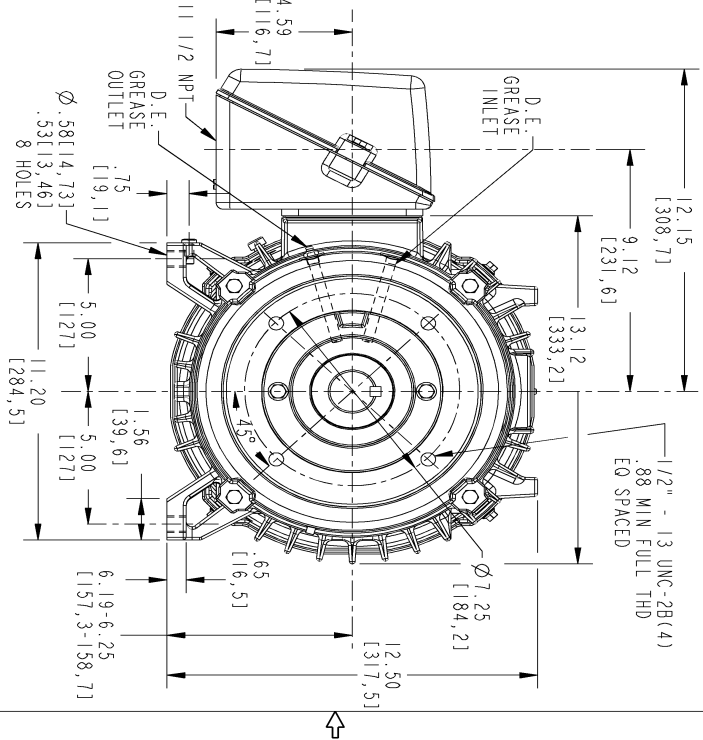
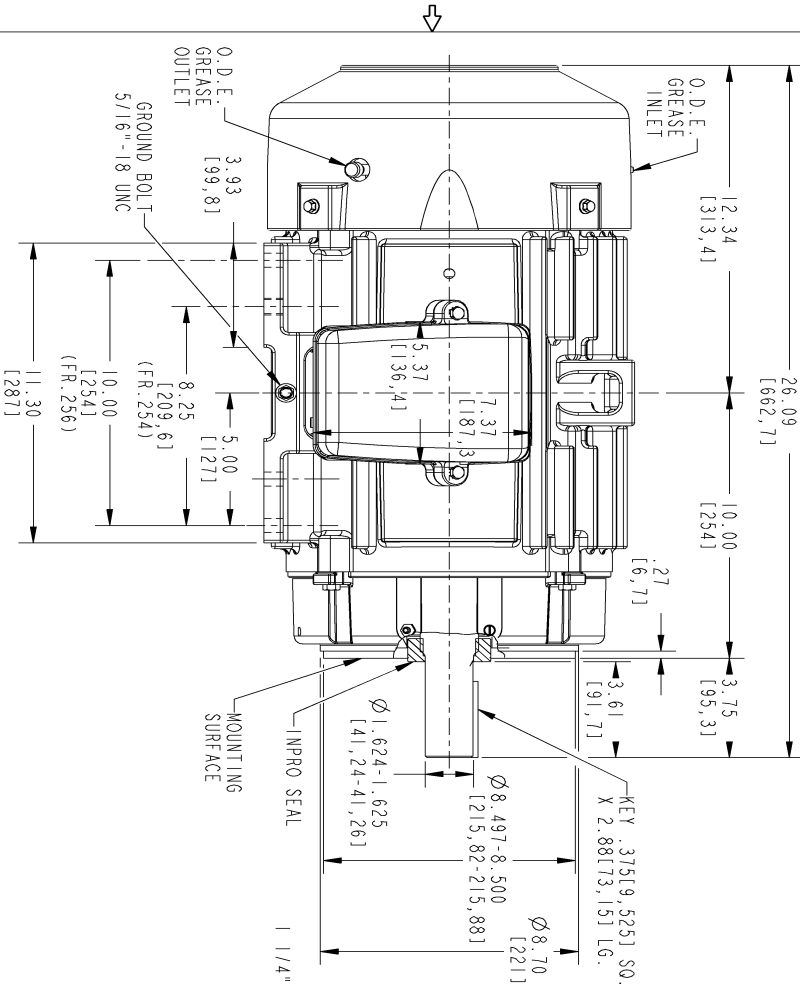
Open Circuit A-C:	0.273	Short Circuit D-C:	0.012
Short Circuit A-C:	0.017	X/R Ratio:	4.532
Stator Slots:	54	Rotor Slots:	42

Speed Torque Current Curve (First Connection, First Speed)



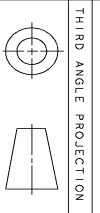
Marks:

- NOTE 1: CONDUIT BOX MAY BE ASSEMBLED WITH ENTRANCE UP, DOWN OR TO EITHER SIDE.
- NOTE 2: F1 ASSEMBLY AS SHOWN. F2 ASSEMBLY CONDUIT BOX ON OPPOSITE SIDE FROM SHOWN LOCATION.
- NOTE 3: MOUNTING SURFACES WILL BE SQUARE AND CONCENTRIC WITH SHAFT WITHIN .004 T.I.R.
- NOTE 4: SHAFT RUNOUT WILL NOT EXCEED .001 T.I.R.
- NOTE 5: DE ENDSHIELD ROTATED 90° COUNTER CLOCKWISE
- NOTE 6: ALL DIMENSIONS ARE IN INCHES, BRACKETED DIMENSIONS ARE IN METRIC (MILLIMETERS)



SIZE	DRAWING NO.	REV	SHEET
B	4002B5825PBP5311	0	1

REV.	DESCRIPTION	DATE	APPROVED



SIGNATURES		DATE
MODEL	TEJASNI	06/10/15
DETAIL	TEJASNI	06/10/15
CHECKED	AOI	06/10/15
ENGR	VENKAT	06/10/15
QC		
QUALITY	TEJASNI	06/10/15
ISSUED		
SCALE: 0.250 REF. No.: 4002B5825PBP5311		

GE Motors
GENERAL ELECTRIC COMPANY

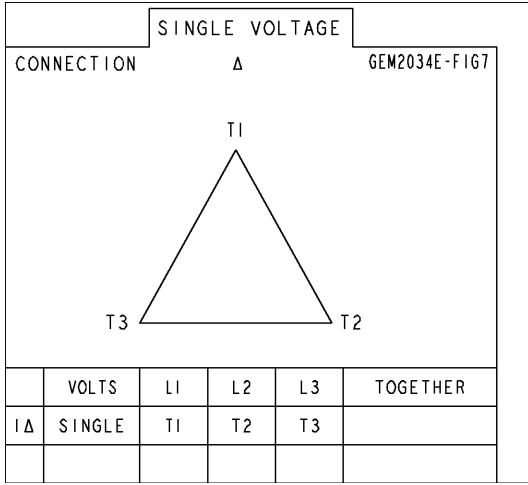
INDUCTION MOTOR OUTLINE
IEEE-841 SPEC, "C" FACE AT DRIVE END (85° RABBIT)
FR: 254/256TC TFC

4002B5825PBP5311
REV 0

SHEET 1 of 1

Marks:

Connection Diagram
GEM2034E-FIG7



End shield Assembly		
Part Description	DE Side Part#	ODE Side Part#
End Shield	128D6106PM1	4004D5283SE1
Bearing	235A2608AA01	235A2607AA01
Slinger/Inproseal	235A4575GC20	4002B5914AG4

Fan & Fan Cover Assembly	
Part Description	Part#
Fan	159C6800G01
Fan Cover	4003C5788PA1

Conduit & Accessories Box Assembly	
Part Description	Part#
Conduit Box	4002B5728PA-G04

Mechanical Accessories	
Part Description	Part#
Brake	
Tachometer	