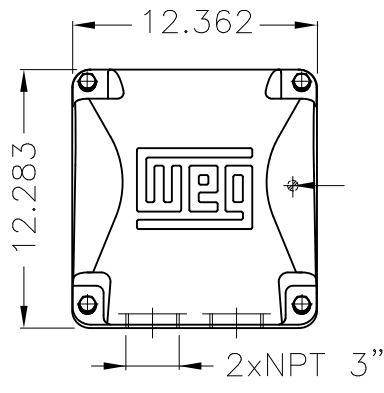


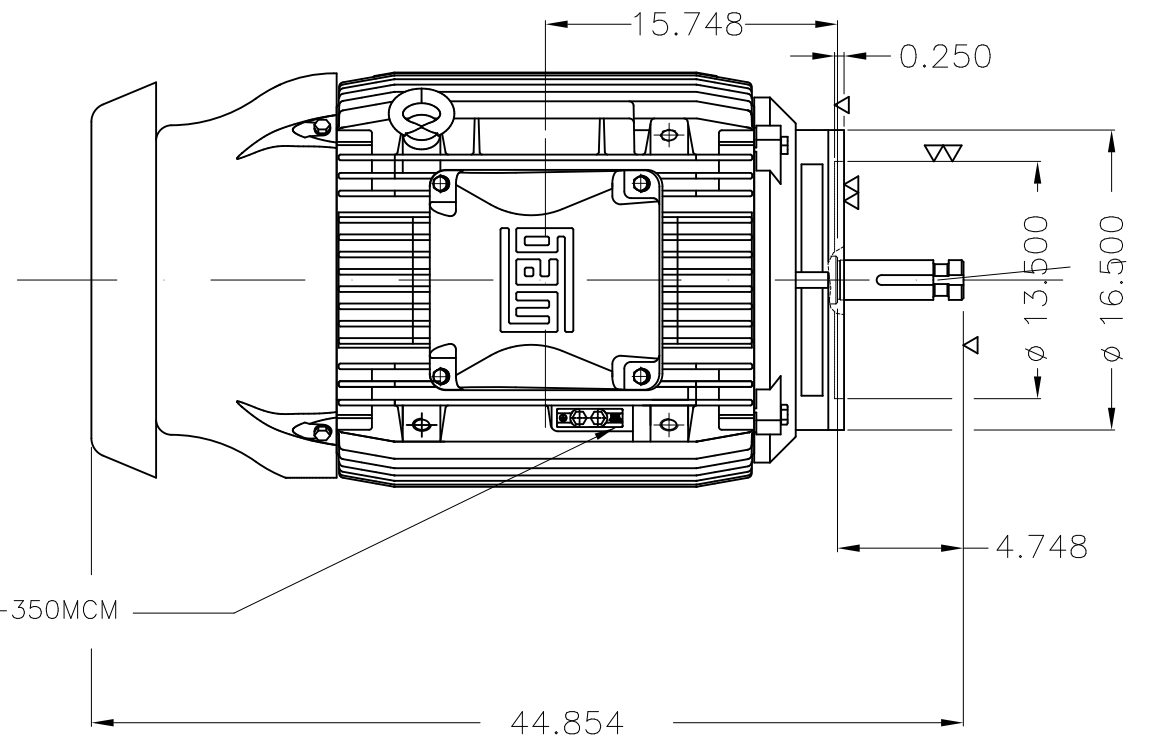
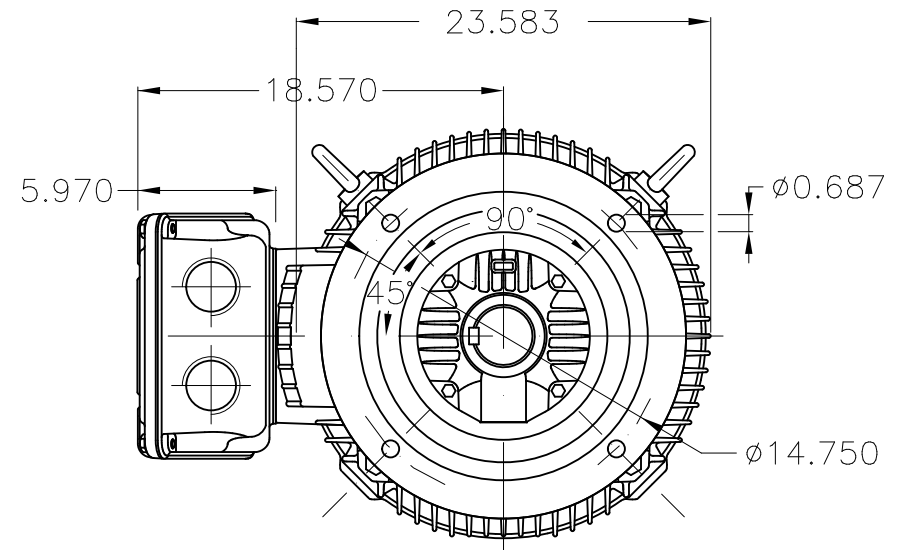
Dimensões em polegada  
Dimensions in inches

THIS IS AN UPDATED REVISION, THE  
PREVIOUS ONE MUST BE DISREGARDED.



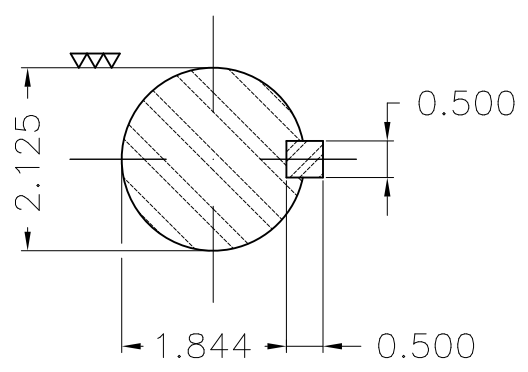
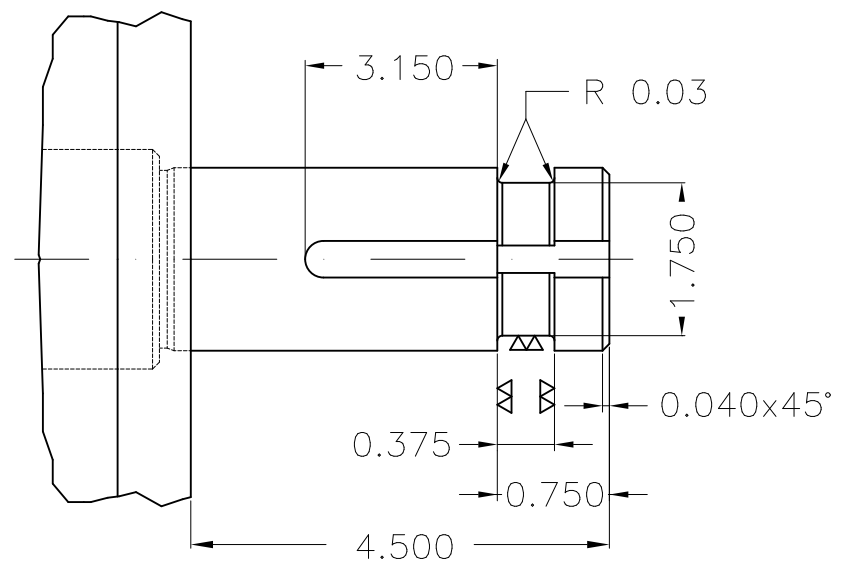
Grounding for leads 35-70 mm<sup>2</sup> / 1-2/0 AWG

Main terminal box



Center hole  
DUNC 5/8"-11 WEG TBG12  
(DIN 332)

Grounding for leads 25-185 mm<sup>2</sup> / 3AWG-350MCM



Color RAL 5009  
Painting plan 203A  
Mounting V1

ECM	LOC	SUMMARY OF MODIFICATIONS	EXECUTED	CHECKED	RELEASED	DATE	VER
EXECUTED	USERADMIN	THREE PHASE W22 P-BASE MOTOR PREMIUM EFF					
CHECKED		FRAME 444/5HP IP55 TEFC					
RELEASED		WEG code: 13502618					
REL DT	24.07.2017	WMO Jaragua do Sul	Product Engineering	SHEET	1 / 1		

150 HP 02 Poles 60Hz

A

