

SHEET

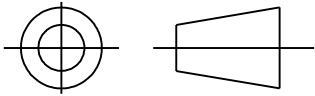
REV

SIZE DRAWING NO.

A

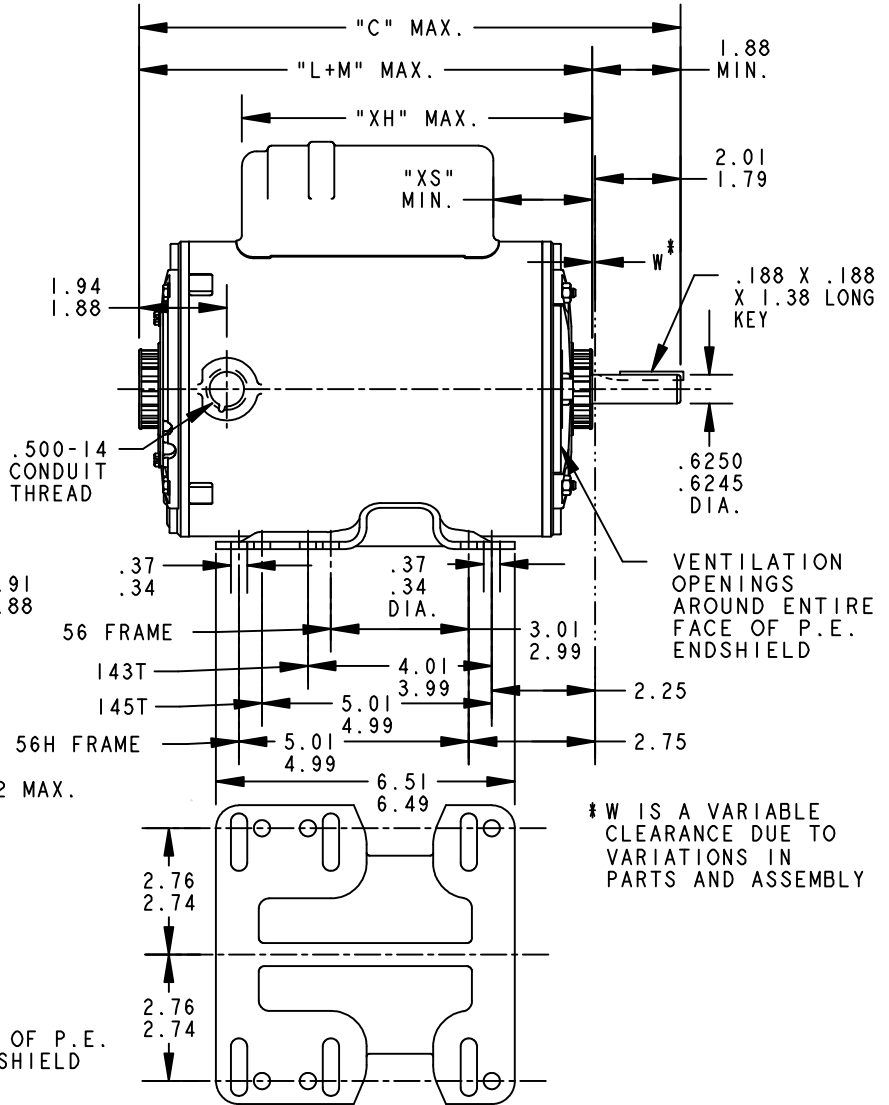
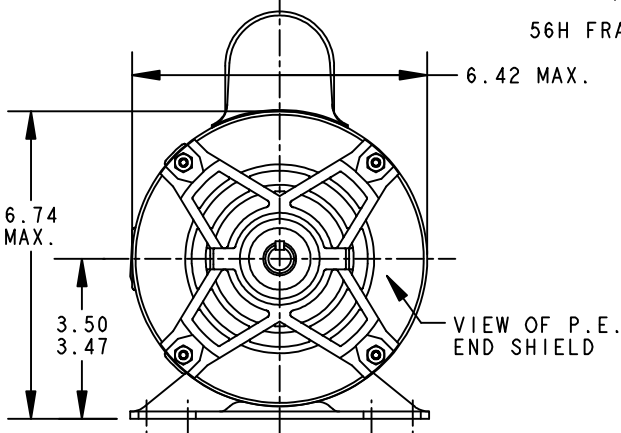
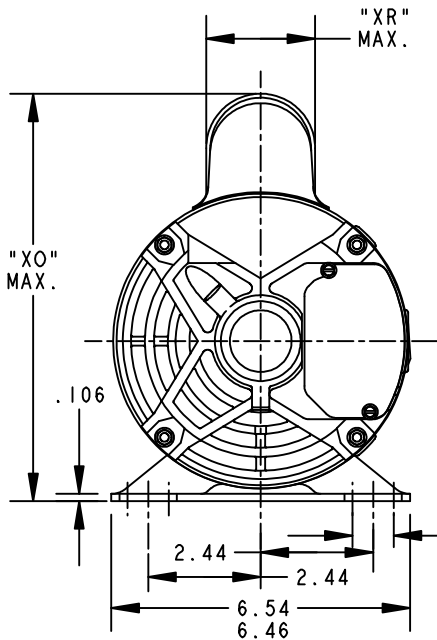
52A109640 1

THIRD ANGLE PROJECTION




REVISIONS

REV.	DESCRIPTION	DATE	APPROVED
1	CHG TO RBC FORMAT PER IS05-1777	03/22/06	SUDHA



I	KC	48	56H	12.76	10.76	7.72	8.94	2.40	2.03	8.43
P	TYPE	GE SIZE	NEMA FR	"C"	"L+M"	"XH"	"XO"	"XR"	"XS"	MIN. SHELL

SIGNATURES		DATE
MODEL	M.D.PAPE	06/24/94
DETAIL	.	.
CHECKED	.	.
ENGRG	.	.
MFG	.	.
QUALITY	.	.
ISSUED	M.D.PAPE	06/24/94
SOLID MODEL: 52A109640		



REGAL-BELOIT CORPORATION

TITLE: **OUTLINE**

40 FRAME REDESIGN - GENERAL PURPOSE MOTOR - DRIP PROOF - BALL BEARING - WELDED BASE

SIZE DRAWING: **A**

52A109640 REV **1**

SCALE: 0.250 REF. No: . SHEET 1 of 1