

GENERAL INFORMATION:

SHAFT RUNOUT: .001 [.03] T.I.R. PER INCH LENGTH OF EXTENSION

END PLAY: .010 TO .063 [.25 TO 1.60]

BEARINGS: SLEEVE

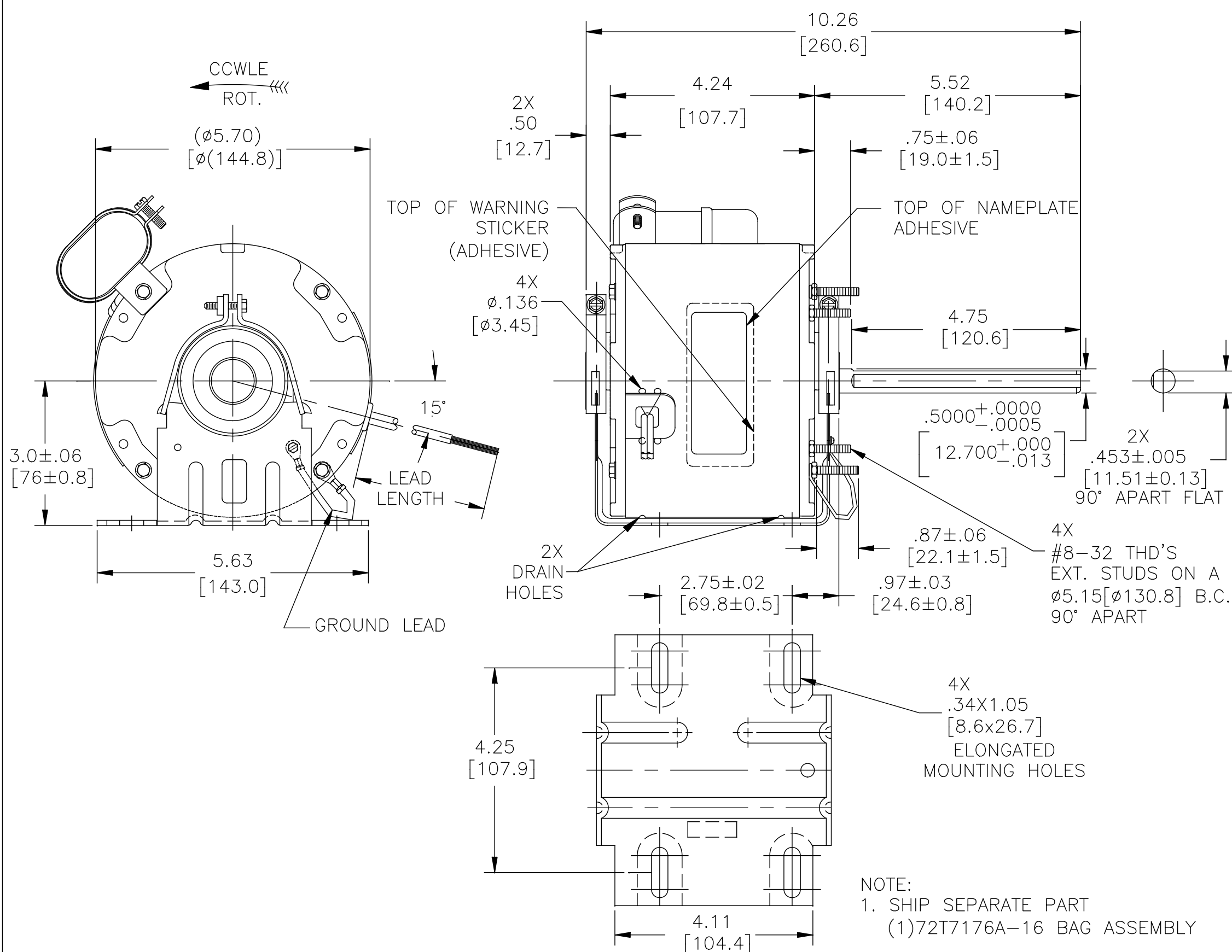
MOUNTING POSITION: HORIZONTAL

ELECTRICAL DATA:

OVERLOAD PROTECTOR: AUTOMATIC RESET (SENSATA 7AM 036)

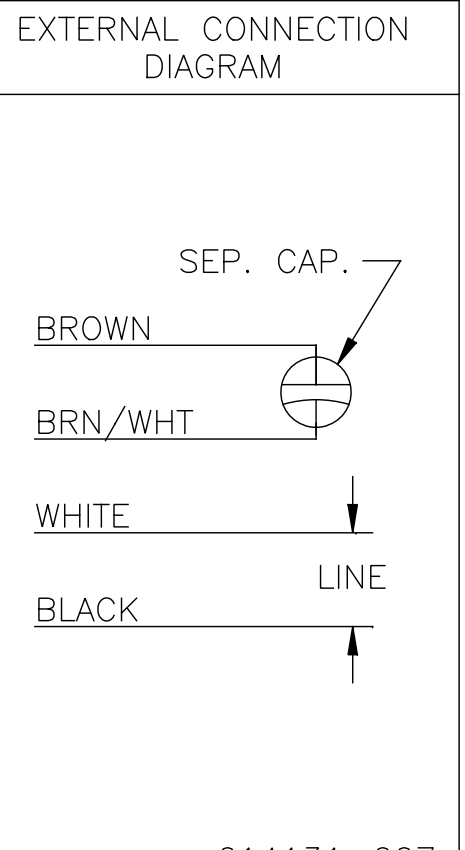
LEADS: NO. 18 GA., .06 [1.5] THK. PVC 105°C INSULATION

GROUND LEAD: NO. 18 GA., .03 [.8] THK. (GREEN/YELLOW) INSULATION



NAMEPLATE DATA:

MODEL NO.: F48Z47A01  
 CUST. P/N: 566A  
 HP: 1/4  
 ROT.: CCWLE  
 RPM: 1075  
 TYPE: UF  
 FRAME: 48Y  
 VOLTS: 115  
 PH: 1  
 AMPS: 3.3  
 HZ: 60  
 INS.: B  
 AMB.: 60 °C  
 DUTY: AIR OVER  
 CAP.: 10 MFD/370V  
 ENCL: ENCLOSED  
 UL LOGO  
 CSA LOGO  
 THERMALLY PROTECTED



GREEN/YELLOW (GROUND)	3.0/5.0 [76/127]	#10 EYELET
BROWN	5.0/7.0 [127/178]	.25[6.4] FLAG
BROWN/WHITE	5.0/7.0 [127/178]	.25[6.4] FLAG
BLACK	58.0/62.0 [1473/1575]	.50[12.7] STRIP
WHITE	58.0/62.0 [1473/1575]	.50[12.7] STRIP
COLOR	LENGTH	TERMINAL OR STRIP LENGTH

REGAL-BELOIT CORPORATION (RBC) PROVIDES TECHNICAL ASSISTANCE TO OUR CUSTOMERS IN SEVERAL AREAS. SINCE RBC DOES NOT RECEIVE ALL DATA CONCERNING THE USE AND APPLICATION OF THE MOTOR, THE SUITABILITY OF THE MOTOR FOR THE APPLICATION MUST BE DETERMINED BY THE CUSTOMER.

DIMENSIONS WITHOUT TOLERANCES ARE FOR REFERENCE ONLY.

MAIN FRAME - OLE	ENCLOSED
END FRAME - OLE	ENCLOSED
MAIN FRAME - LE	ENCLOSED
END FRAME - LE	ENCLOSED

CUSTOMER	DISTRIBUTION SERVICES
----------	-----------------------

PERFORMANCE CURVE NO.	TORQUE @ 1075 RPM (25°C)	APPROVED SAMPLE	UL COMPONENT FILE #	CCN #	CSA FILE #	CLASS #
C32716	22.4 OZ. FT.	0604335A	E46412	PRGY2	LR43341	4211-01

DRAWING REVISION	REVISION BY	DATE
E	J. RUPERT	03-16-2016
ECO	APPROVED BY	DATE
ECO-0098741	J. RUPERT	03-16-2016
ECO DESCRIPTION		
CHANGED CAP LEADS AND CONN DIAGRAM		

COPYRIGHT REGAL-BELOIT AMERICA, INC. ALL RIGHTS RESERVED. PROPRIETARY AND CONFIDENTIAL INFORMATION - THIS DOCUMENT IS THE PROPERTY OF REGAL-BELOIT AMERICA, INC. (OWNER) AND CONTAINS OWNER'S PROPRIETARY INFORMATION. ANY PERSON, CORPORATION OR OTHER FIRM RECEIVING IT IS DEEMED, BY RECEIVING IT, TO AGREE THAT IT, AND/OR ANY PART OF IT, SHALL NOT BE DISCLOSED TO ANY PERSON, CORPORATION OR OTHER ENTITY, DUPLICATED, AND/OR USED, EXCEPT AS EXPRESSLY APPROVED IN WRITING IN ADVANCE BY OWNER. THIS DOCUMENT SHALL BE RETURNED TO OWNER UPON REQUEST. IT MAY BE SUBJECT TO CERTAIN RESTRICTIONS UNDER APPLICABLE EXPORT CONTROL LAWS AND REGULATIONS.

DRAWN BY:	CADDIE	REGAL™ Regal Beloit America, Inc.
DATE:	06-20-2007	DESCRIPTION
APPROVED BY:		MODEL-RFHP-48FR OUTLINE
DATE:		MATERIAL
PROCESS/FINISH		SIZE DWG NO
THIRD ANGLE PROJECTION		C 566A
		SHEET 1