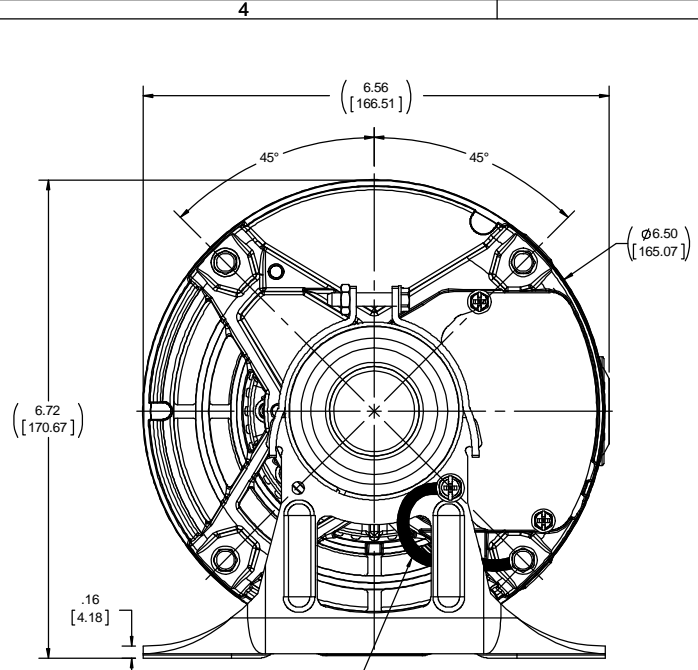
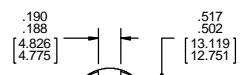


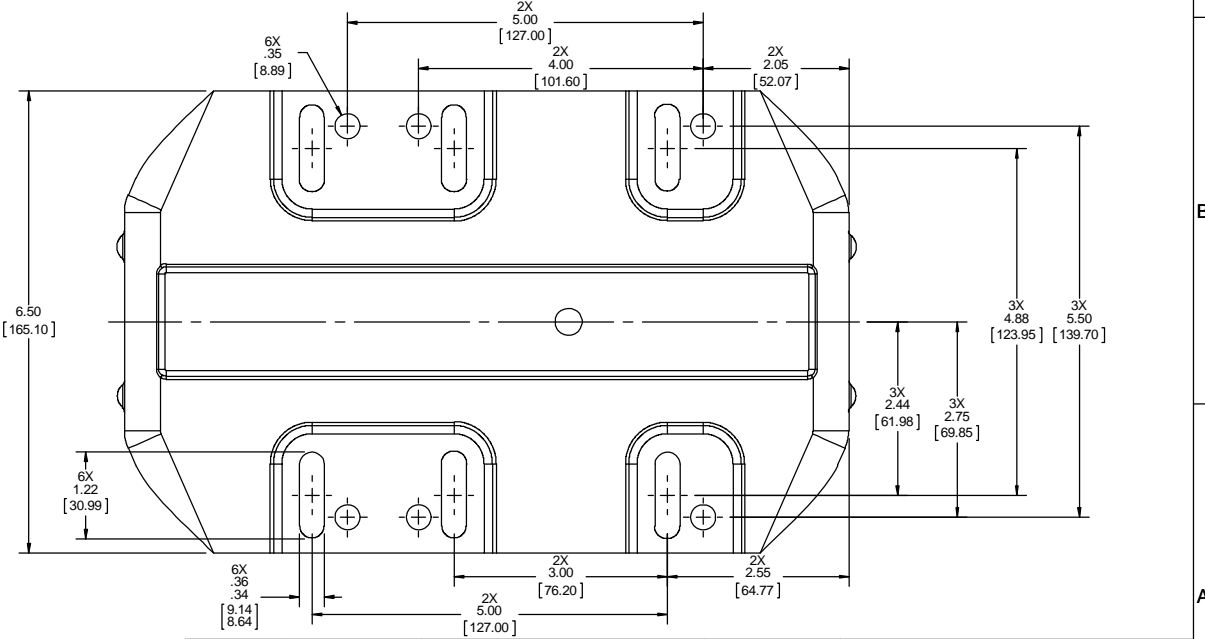
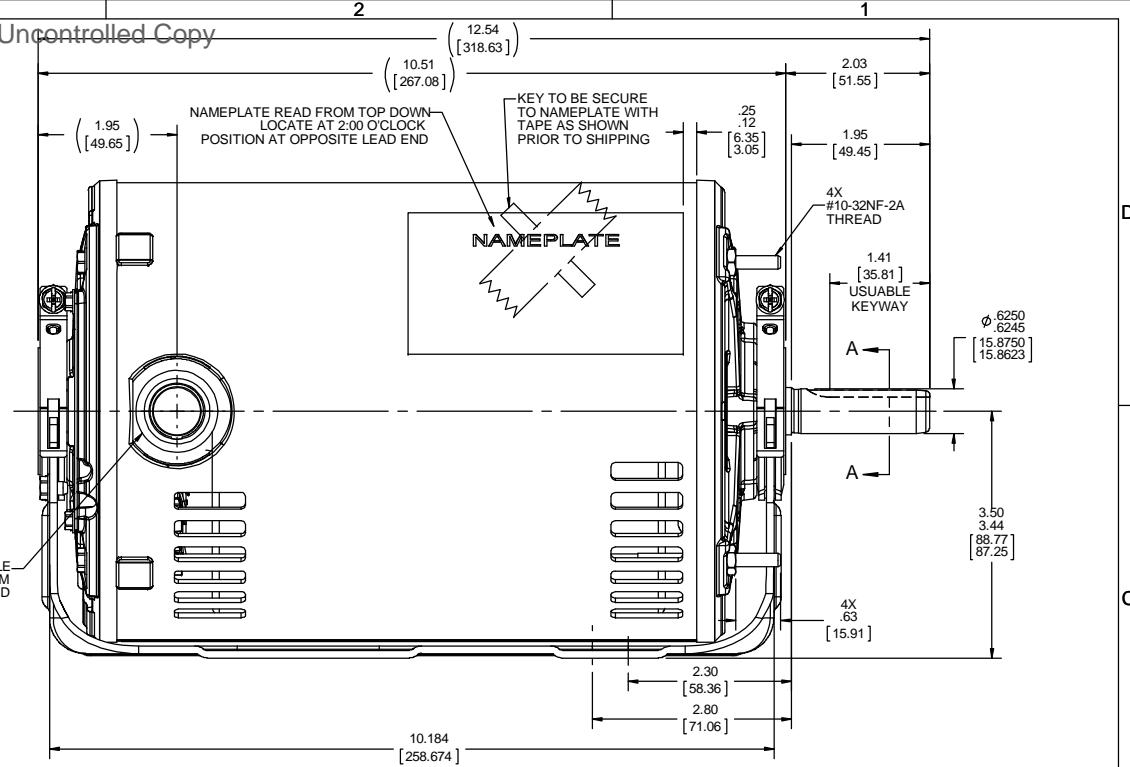
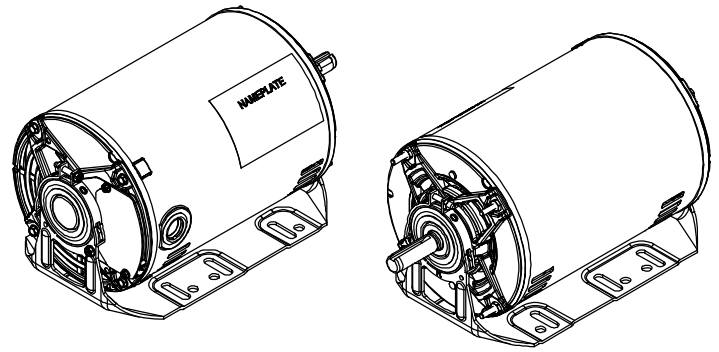
Uncontrolled Copy



GROUND LEAD



SECTION A-A



DRAWING REVISION C	REVISION BY KHADHAR	DATE 01/10/2019	TOLERANCES UNLESS OTHERWISE SPECIFIED: DEC. INCH mm ANGLE	DRAWN BY D.VALENCIANO	Regal Beloit America, Inc.
ECO-0159772	APPROVED BY D.SURYAWANSHI	DATE 01/10/2019	.X ±0.1 [2.5] 30.5° .XX ±0.03 [0.76] .XXX ±0.005 [0.127] .XXXX ±0.0005 [±0.0127]	DATE 04-15-2016	
ECO DESCRIPTION UPDATED TERMINAL BOARD ASSY PER ECO-0159772			REMOVE BURRS & BREAK SHARP EDGES: .0031/015 [0.078/381] X 45° CORNER FILLETS: R.02 [.51]	APPROVED BY J.ORTEGA	DESCRIPTION OUTLINE 56FR,DP,1-PHASE
<small>           PROPRIETARY AND CONFIDENTIAL INFORMATION. THIS DOCUMENT IS THE PROPERTY OF REGAL BELOIT AMERICA, INC. FORMERLY AND CONTAINS OWNERS PROPRIETARY INFORMATION. ANY PERSON, CORPORATION OR OTHER FIRM RECEIVING IT IS DEEMED BY RECEIVING IT, TO AGREE THAT IT, AND/OR ANY PART OF IT, SHALL NOT BE DISCLOSED TO ANY PERSON, CORPORATION OR OTHER ENTITY, DUPLICATED, AND/OR USED, EXCEPT AS EXPRESSLY APPROVED IN WRITING IN ADVANCE BY OWNER. THIS DOCUMENT SHALL BE RETURNED TO OWNER UPON REQUEST. IT MAY BE SUBJECT TO CERTAIN RESTRICTIONS UNDER APPLICABLE EXPORT CONTROL LAWS AND REGULATIONS.         </small>			MACHINED SURFACES: .125 INCH/ 3.2 mm SHOWN IN [BRACKETS]	DATE 04-15-2016	MATERIAL
			THIRD ANGLE PROJECTION	REFERENCE	PROCESS/FINISH
			SIZE	DRAWING NUMBER	SHEET
			C	OL56100060-001	1 OF 1