

Product Information Packet

November 7, 2016

Data shown is for the current revision model #. Ensure your nameplate model # matches.

Model Number:	5KS254ATE205RG3
Catalog Number:	E7064
Instruction Manual:	GEI-M1023
Connection Diagram:	GEM2034E-FIG10
Outline Drawing:	358B6216AC

Accessory Connection Diagrams			
Bearing Thermocouple:	None	Heater:	None
RTD:	None	Thermistor:	None
Thermostat:	None	Winding Thermocouple:	None
Bearing RTD:	None		

Table of Contents	
Specification	01
Performance Characteristics	02
Outline Drawing	03
Connection Drawing(s)	04

Marks:

MODEL NUMBER:	5KS254ATE205RG3	Estimated Weight:	230 Lbs
Outline Drawing:	358B6216AC	Time Rating:	CONT
Connection Diagram:	GEM2034E-FIG10	Enclosure:	DP
Instruction Book:	GEI-M1023	Encl Construction:	OPEN
Design Code:	25AD1007A	Ambient Max(°C):	40
Type:	KS	Alt Ambient Max(°C):	--
Frame:	--	Insulation Class:	F
Phases:	3	NEMA Design:	A
Poles:	4	Nominal Efficiency:	93 %
Output Power:	15HP 11.1KW	Guaranteed Efficiency:	91.7
RPM:	1765	3/4 Load Efficiency:	93.3
Voltage:	230/460	KVA Code:	H
Hertz:	60	Max KVAR:	5.3
Amps - FL:	37.2/18.6	Power Factor:	81
Service Factor:	1.15	Bearing - DE:	6310ZZ
Alt Service Factor:	--	Bearing - ODE:	6208ZZ

Enclosure is Dripproof

Stamped Nameplate Notes:**Additional Information:**

MADE FROM MODEL 5KS254ATE205
 ADD AEGIS GROUND RING
 MOD AMSTUTZ 15-NOV-2011

Performance Characteristics

1st Winding 1st Connection

Design: 25AD1007A

Marks:

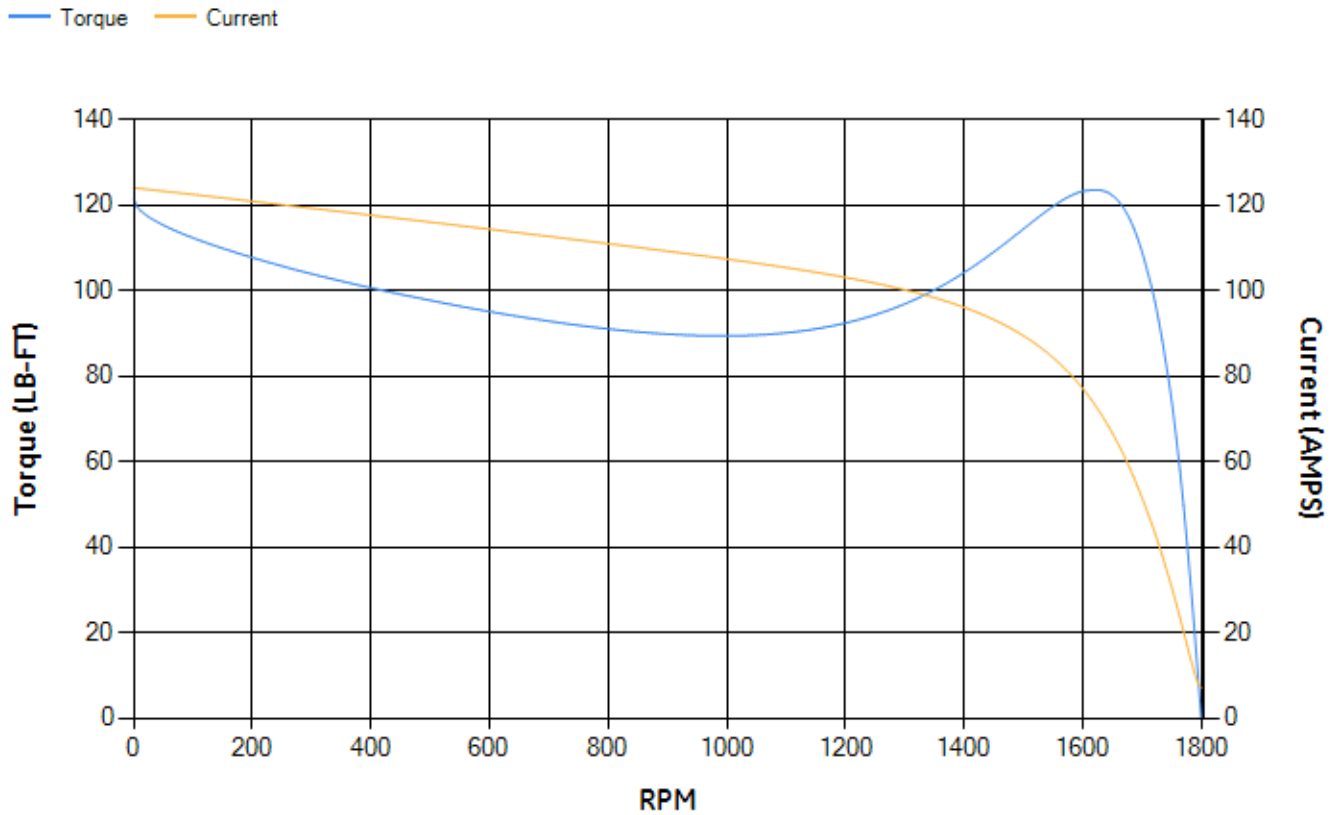
LOAD %	125.0	115.0	100.0	75.0	50.0	25.0	0.0
% EFF	92.25	92.58	93.18	93.28	92.69	89.05	0.00
% PF	84.21	83.79	82.62	78.49	69.05	47.45	5.42
AMPS	22.59	20.81	18.24	14.38	10.97	8.31	7

TORQ(FL)#FT	44.48	TORQ(LR)%FL	273.08	TORQ(BD)%FL	275.98
AMPS(LR)	123.98	PF AT START	0.42		

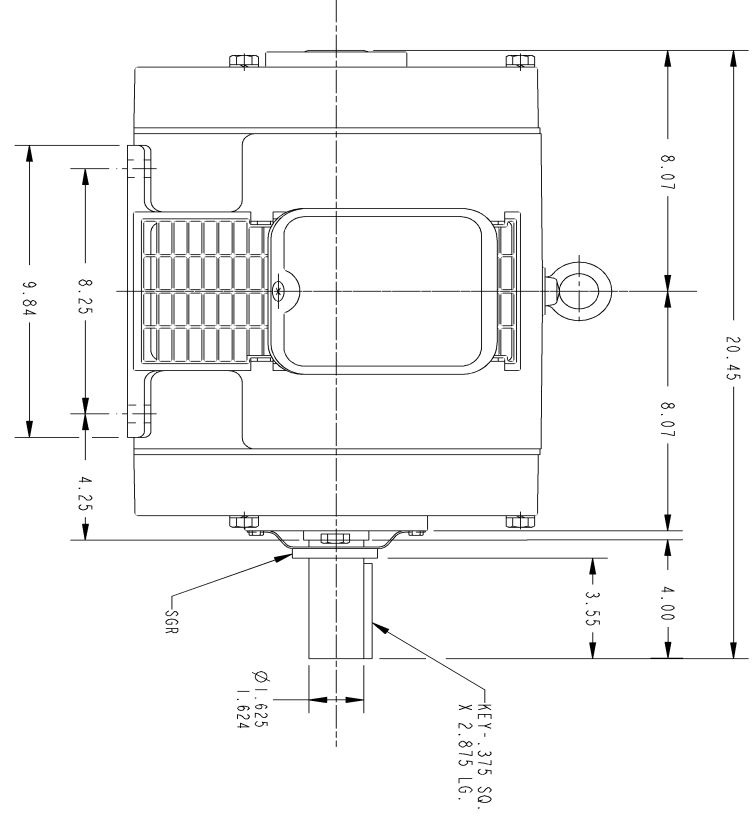
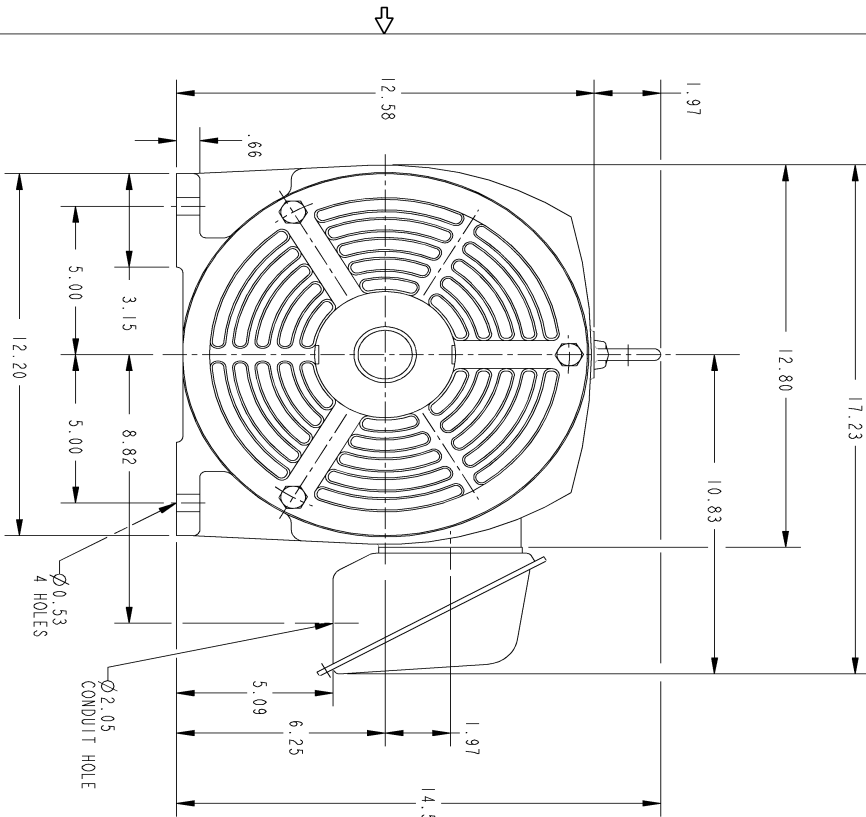
This motor is capable of two cold or one hot start with a maximum connected load inertia of 583 Lb-Ft Sq (24.54 Kg-meter Sq)at 100% voltage, where the load torque varies with the square of the speed. Acceleration time with maximum inertia and the above load type is 40 seconds. Safe stall time at 100% voltage is 67 seconds cold, 62 seconds hot. Rotor inertia is 1.76 Lb-Ft Sq (0.07 Kg-meter Sq).

Open Circuit A-C:	0.41	Short Circuit D-C:	0.018
Short Circuit A-C:	0.02	X/R Ratio:	6.729
Stator Slots:	48	Rotor Slots:	40

Speed Torque Current Curve (First Connection, First Speed)



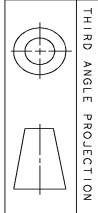
Marks:



- NOTES :
1. CONDUIT BOX MAY BE PLACED WITH THE ENTRANCE DOWN, UP OR ON EITHER SIDE.
 2. F-1 ASW AS SHOWN.
 3. F-2 ASW - HAS CONDUIT BOX ON OPPOSITE SIDE.

GE PROPRIETARY INFORMATION
 This document is the property of General Electric Company ("GE") and contains proprietary information of GE. This document is issued on the express condition that recipient thereof shall not disseminate, distribute, or otherwise make available the information contained herein, shall be controlled by GE, and shall be returned to GE upon request. This document shall be returned to GE upon request. This document shall be returned to GE upon request. This document shall be returned to GE upon request. This document shall be returned to GE upon request.

REV.	DESCRIPTION	DATE	APPROVED



SIGNATURES		DATE	
MODEL	SHANKAR	07/14/11	
DETAIL	VENKAT J	07/14/11	
CHECKED	VENKAT J	07/14/11	
ENGR	VENKAT J	07/14/11	
ISSUED	SHANKAR	07/14/11	
SCALE: DRAWING SCALE			

DISTRIBUTION:

GE Motors GENERAL ELECTRIC COMPANY
OUTLINE
 254T - OPEN DRIP PROOF WITH SGR
358B6216AC
 SCALE: DRAWING SCALE
 SHEET 1 of 1

Marks:

Connection Diagram
GEM2034E-FIG10

