

Product Information Packet

April 26, 2017

Data shown is for the current revision model #. Ensure your nameplate model # matches.

Model Number:	5KS444DAJ6020A
Catalog Number:	V4427
Instruction Manual:	GEK-95352
Connection Diagram:	GEM2034E-FIG24
Outline Drawing:	148CB44VMHKCCAA0001

Accessory Connection Diagrams			
Bearing Thermocouple:	None	Heater:	3027JE-1C
RTD:	None	Thermistor:	None
Thermostat:	None	Winding Thermocouple:	None
Bearing RTD:	None		

Table of Contents

Specification	01
Performance Characteristics	02
Outline Drawing	03
Connection Drawing(s)	04
Spare parts	05



Marks:

MODEL NUMBER:	5KS444DAJ6020A	Estimated Weight:	2500 Lbs
Outline Drawing:	148CB44VMHKCCAA0001	Time Rating:	CONT
Connection Diagram:	GEM2034E-FIG24	Enclosure:	WPI
Instruction Book:	GEK-95352	Encl Construction:	OPEN
Design Code:	44BD1167AB	Ambient Max(°C):	40
Type:	KS	Alt Ambient Max(°C):	--
Frame:	L444TP16	Insulation Class:	H
Phases:	3	NEMA Design:	B
Poles:	4	Nominal Efficiency:	95.8 %
Output Power:	200HP 148KW	Guaranteed Efficiency:	95.0
RPM:	1780	3/4 Load Efficiency:	96.0
Voltage:	460	KVA Code:	G
Hertz:	60	Max KVAR:	59.1
Amps - FL:	230.0	Power Factor:	85.0
Service Factor:	1.15	Bearing - DE:	6217C3
Alt Service Factor:	--	Bearing - ODE:	235A2536AB01

Enclosure is Weather Protected One

Stamped Nameplate Notes:

HTR LDS HE1-HE2 115V 145W
 ROT CCW FACING ODE LEAD/PH SEQ 1-2-3/1-2-3
 INVERTER DUTY PER NEMA MG1 PART 31
 ALTERNATE RATING FOR PWM CONTROL:1.0SF 40C AMBIENT
 VAR TORQUE RANGE 5-60 HZ
 SUITABLE FOR 150 HP, 380V, 50 HZ WITH
 210.0 AMPS AND 1485 RPM AT 1.0 SF

Additional Information:

4 POLE, VERT HOLLOW SHAFT HIGH THRUST (2D)
 SPECIAL BALANCE
 700 CU IN - 3.00" NPT
 BEARING LIFE 8760 HRS AT 21100 LB THRUST
 C/B GRD PLATE
 OIL RESISTANT SLEEVING ON LEADS
 115V HTR LDS TO MAIN CONDUIT BOX
 COUPLING NOT INCLUDED IN BOM, WILL BE
 ORDERED SEPERATELY
 PART WINDING START

Performance Characteristics

1st Winding 1st Connection

Design: 44BD1167AB

Marks:

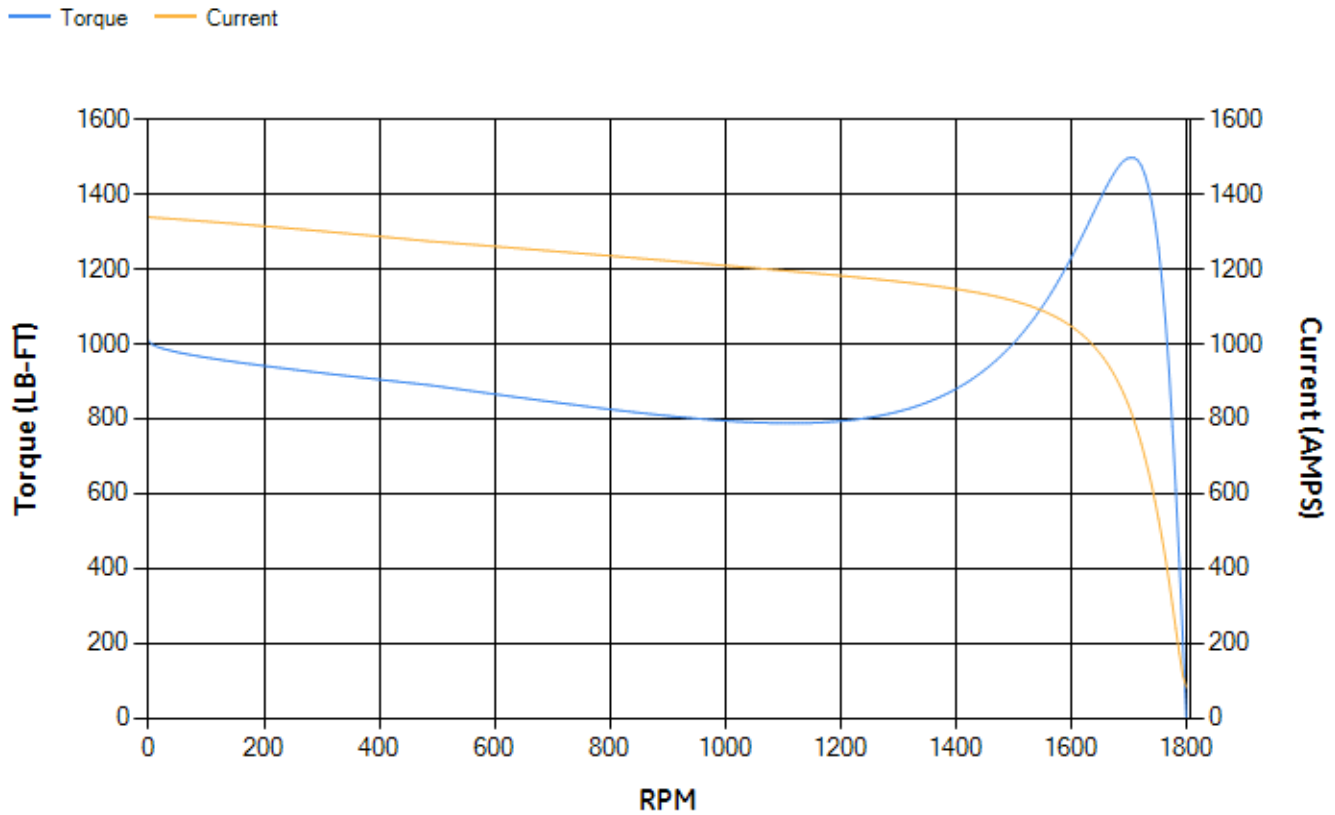
LOAD %	125.0	115.0	100.0	75.0	50.0	25.0	0.0
% EFF	94.44	94.66	95.12	95.1	94.63	91.86	0.00
% PF	86.51	86.2	85.27	81.75	73.08	51.24	4.35
AMPS	286.4	263.81	230.79	180.59	135.35	99.42	82.43

TORQ(FL)#FT	589.49	TORQ(LR)%FL	171	TORQ(BD)%FL	253.7
AMPS(LR)	1338.65	PF AT START	0.33		

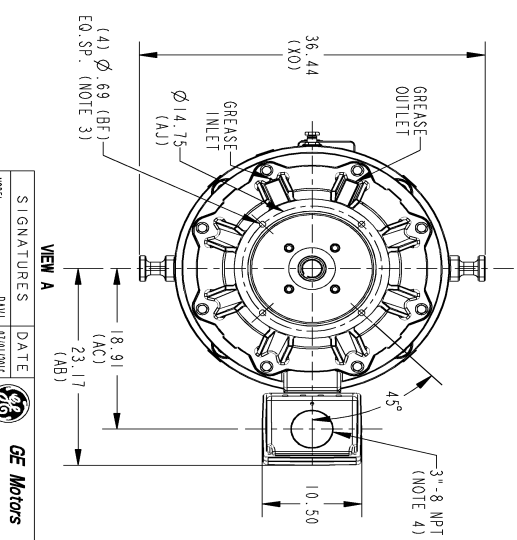
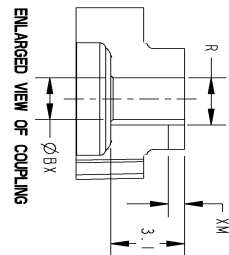
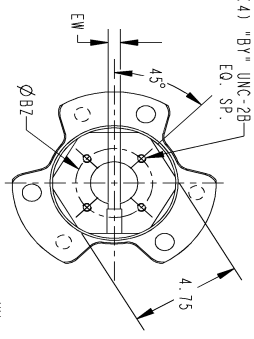
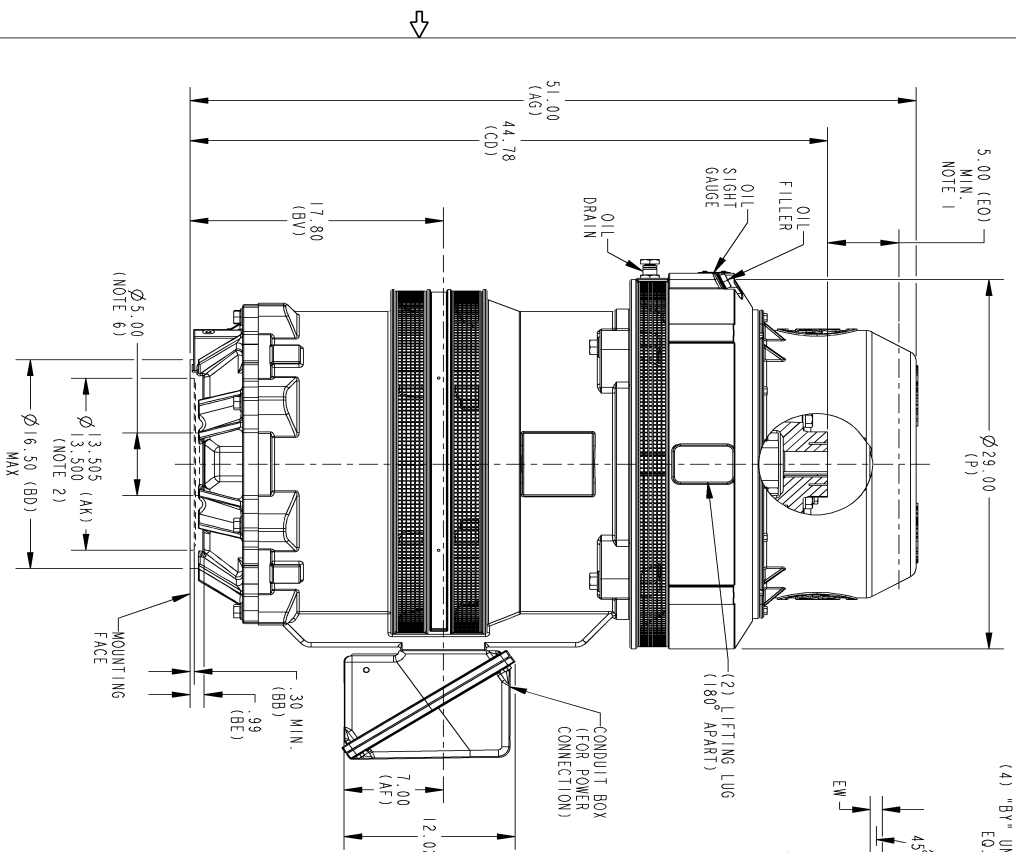
This motor is capable of two cold or one hot start with a maximum connected load inertia of 2322 Lb-Ft Sq (97.76 Kg-meter Sq)at 100% voltage, where the load torque varies with the square of the speed. Acceleration time with maximum inertia and the above load type is 19 seconds. Safe stall time at 100% voltage is 40 seconds cold, 23 seconds hot. Rotor inertia is 54.77 Lb-Ft Sq (2.31 Kg-meter Sq).

Open Circuit A-C:	0.69	Short Circuit D-C:	0.027
Short Circuit A-C:	0.039	X/R Ratio:	10.283
Stator Slots:	72	Rotor Slots:	58

Speed Torque Current Curve (First Connection, First Speed)



Marks:



DIMENSIONS IN INCHES
NEMA TYPE P BASE

COUPLING DIMENSIONS				KEY WAY			
BX	BY	BZ	EW	R	XM		
1.501	1/4-20	2.125	.315	1.559	.562		
1.588	1/4-20	2.500	.375	1.859	.562		
1.751	1/4-20	2.500	.375	1.922	.562		
1.813	1/4-20	2.500	.500	2.033	.688		
1.938	1/4-20	2.500	.500	2.160	.688		
2.001	3/8-16	3.250	.500	2.223	.688		
2.063	3/8-16	3.250	.500	2.287	.688		
2.126	3/8-16	3.250	.500	2.350	.688		
2.188	3/8-16	3.250	.500	2.414	.688		
2.251	3/8-16	3.250	.500	2.477	.688		
2.316	3/8-16	3.250	.500	2.550	.688		
2.438	3/8-16	3.250	.625	2.715	.812		
2.501	3/8-16	3.250	.625	2.777	.812		

(4) "B" UNCL-2B E.O. SP.

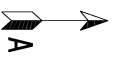
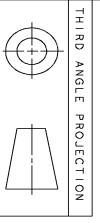
148CB44VMHKCCAA0001 0

REVISIONS

REV.	DESCRIPTION	DATE	APPROVED

NOTES:

1. THE TOTAL HEIGHT OF PUMP SHAFT AND LOCKING NUT ABOVE COUPLING MUST NOT EXCEED THIS DIMENSION.
2. TOLERANCE ON FACE RUNOUT AND PERMISSIBLE ECCENTRICITY OF MOUNTING RABBET ARE .007 T.I.R
3. CENTRE OF MOUNTING BOLTS WITHIN 0.025 OF ANGULAR & DIAMETRICAL LOCATION WITHIN REFERENCE TO THE CENTRILINE OF MOUNTING RABBET.
4. PROVIDED MOUNTING CONDITIONS PERMIT, CONDUIT BOX MAY BE TURNED SO THAT ENTRANCE CAN BE MADE UPWARD, DOWNWARD OR FROM EITHER SIDE.
5. FOR ESTIMATING ONLY UNLESS ENDORSED FOR CONSTRUCTION.
6. MAINTAIN MINIMUM CLEARANCE FOR SHAFT SLINGER.



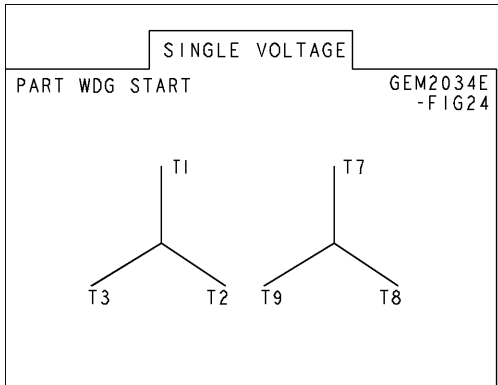
SIGNATURES	DATE	GE Motors	GENERAL ELECTRIC COMPANY
RAWI 01/10/2016	01/10/2016		
SASI 01/10/2016	01/10/2016		
SASI 01/10/2016	01/10/2016		

OUTLINE, NEMA WPI 444-445
VERTICAL HOLLOW SHAFT-HIGH THRUST GRS LOWER
165 BD, 700 CU IN C/BX

MODEL	SIZE DRAWING	SCALE: 0.120 REF. No.	SHEET 1 of 1
148CB44VMHKCCAA0001	B		

Marks:

Connection Diagram
GEM2034E-FIG24



WYE	L1	L2	L3	OPEN
START	T1	T2	T3	T7 T8 T9
RUN	T1-T7	T2-T8	T3-T9	—————

Heater Connection
3027JE-1C



SUPPLY VOLTAGE LEADS	L1	L2
HEATER LEADS	HE1	HE2

End shield Assembly		
Part Description	DE Side Part#	ODE Side Part#
End Shield	115E7660AA1	115E7670LA1
Bearing	235A2522AJ01	235A2536AB01
Slinger/Inproseal		

Fan & Fan Cover Assembly	
Part Description	Part#
Fan	
Fan Cover	149C4050AA1

Conduit & Accessories Box Assembly	
Part Description	Part#
Conduit Box	118D4408AD2

Mechanical Accessories	
Part Description	Part#
Brake	
Tachometer	