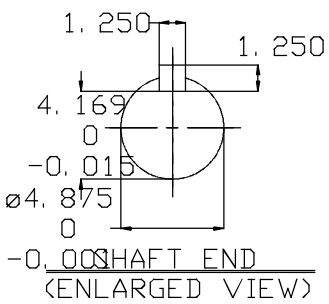
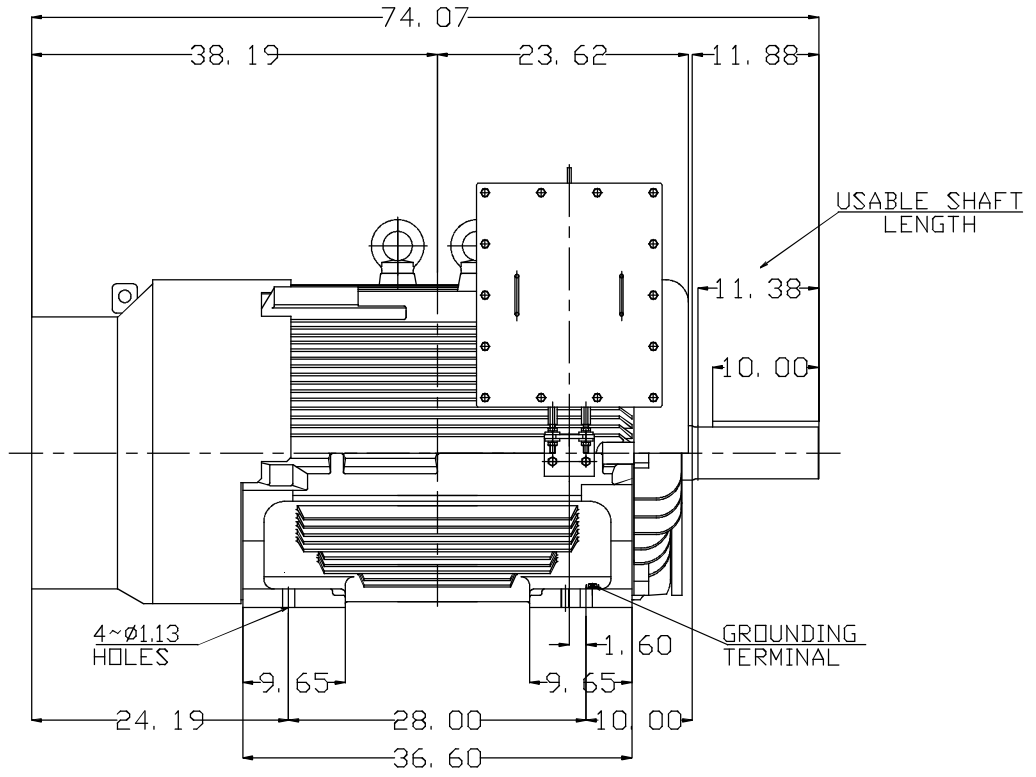
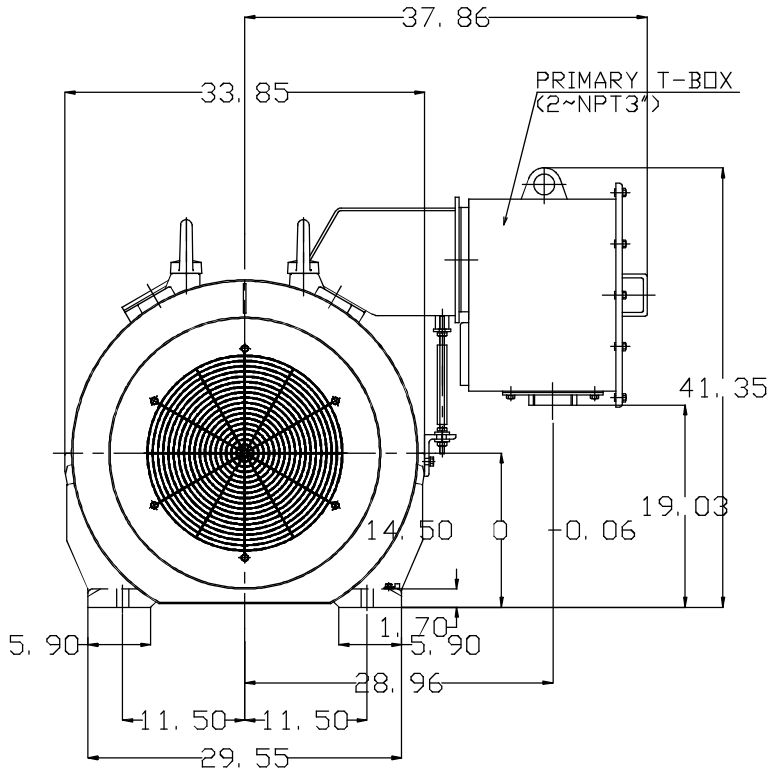


6 5 4 3 2 1

TYPE	OUTPUT		POLE	TIME RATING	VOLTAGE V	Hz	SYN.SPEED R.P.M
	HP.	KW.					
AEHE	600	448	4	CONT.	460	60	1800

TOTALLY ENCLOSED FAN-COOLED TYPE, SQUIRREL-CAGE ROTOR



- NOTE:
1. DIMENSIONS IN inch
 2. FRAME NO. 5808B
 3. F CLASS INSULATION, S.F.1.15
 4. FOR DIRECT FLEXIBLE COUPLING
 5. ENCLOSURE: IP55
 6. BEARING SIZE: DRIVE-END 6326
OPP. DRIVE-END 6322
 7. MOTOR APPROX. WEIGHT: 5800 lb

DATE	OUTLINE DIMENSIONS
CATALOG # E6004	3-PHASE INDUCTION MOTOR
DWN. Y.DU MAR-22-2014	DWG NO. REV:00
CHKD. W.CHENG MAR-29-2014	4B040C032
APPD. C.SHIH MAR-29-2014	



6 5 4 3 2 1