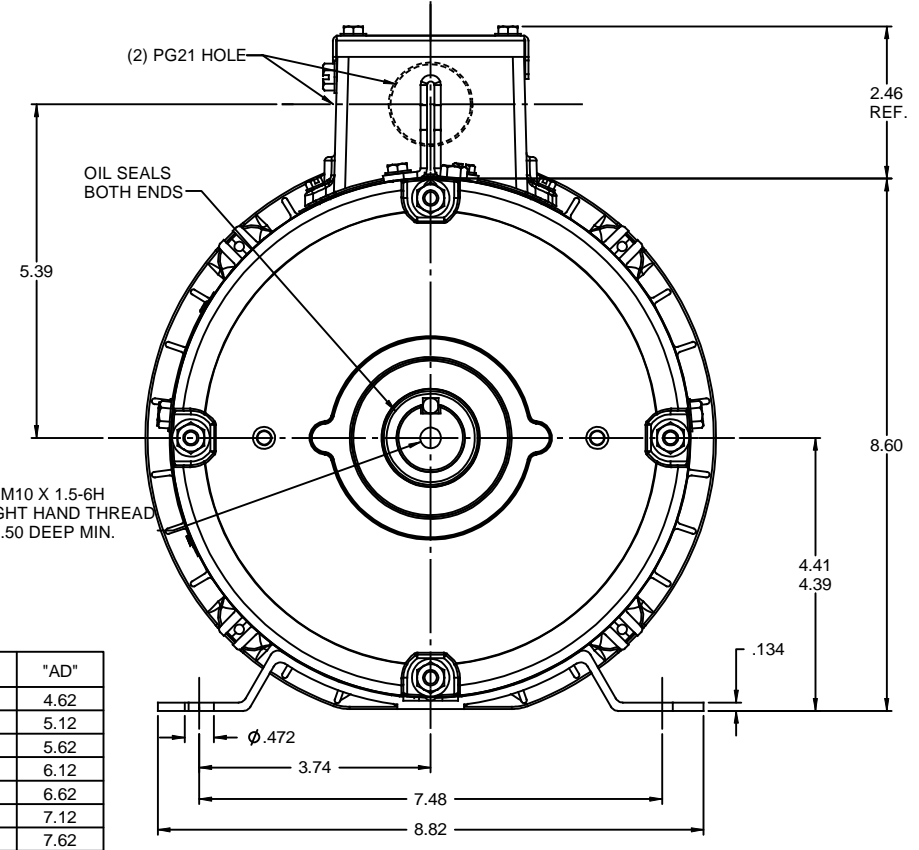
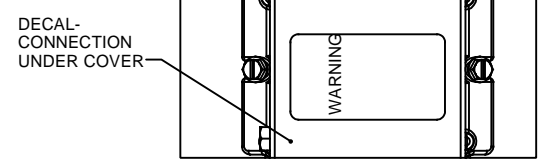
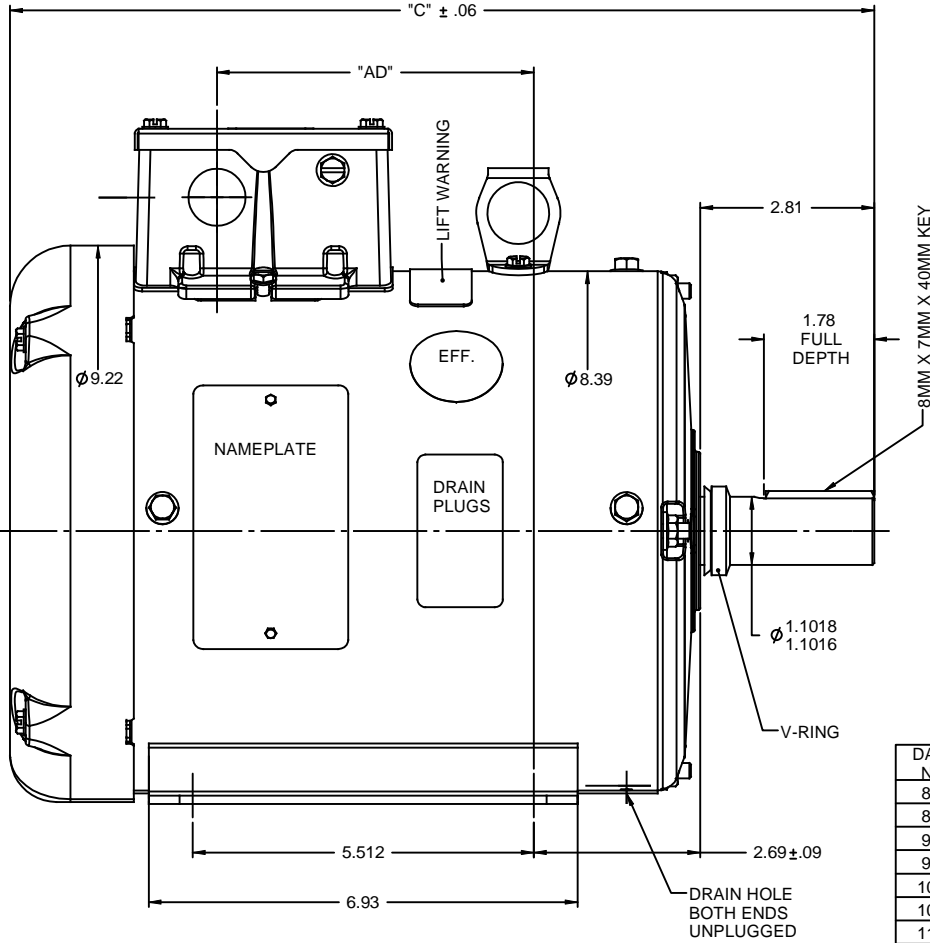


RBC PROPRIETARY AND CONFIDENTIAL INFORMATION  
 This document is the property of REGAL BELOIT CORPORATION ("RBC") including its subsidiaries and divisions and contains proprietary information of RBC. This document is loaned on the express condition that neither it nor the information contained therein shall be disclosed to others without the express written consent of RBC, and that the information shall be used by the recipient only as approved expressly by RBC. This document shall be returned to RBC upon its request. This document may be subject to certain restrictions under U.S. export control laws and regulations.



DASH NO.	"C"	"AD"
800	13.46	4.62
850	13.96	5.12
900	14.46	5.62
950	14.96	6.12
1000	15.46	6.62
1050	15.96	7.12
1100	16.46	7.62
1150	16.96	8.12

**FEATHER PICKER MOTOR SPECIAL FEATURES**  
 GASKETS THROUGHOUT  
 OIL SEAL BOTH ENDS & V-RING  
 DRAIN HOLES IN FRAME AT 3, 9 & 12 O'CLOCK  
 CONDUIT BOX STAINLESS STEEL, HARDWARE & NAMEPLATE  
 PHOSPHATIZED SHAFT  
 FDA APPROVED WHITE EPOXY PAINT

		TOLERANCES UNLESS SPECIFIED		DRAWN VS 6/19/06	
		DEC INCHES		CHK GWS 6/19/06	
		X ±.1		APPR	
		.XX ±.03		TITLE OUTLINE - 180TZ FRAME	
		.XXX ±.005		REF 035532	
- UPDATED & REDRAWN IN SOLIDWORKS		LST 12/1/2009		MATL FEATHER PICKER MOTOR	
NO REVISION		BY & DATE		PAGE OF	
THIRD ANGLE PROJECTION		CHK ANG ±1/2°		FINISH	
		RFP		PREV	
		NETWORK FILE NAME		SIZE DRAWING NO	
				B 035685	
				REV -	