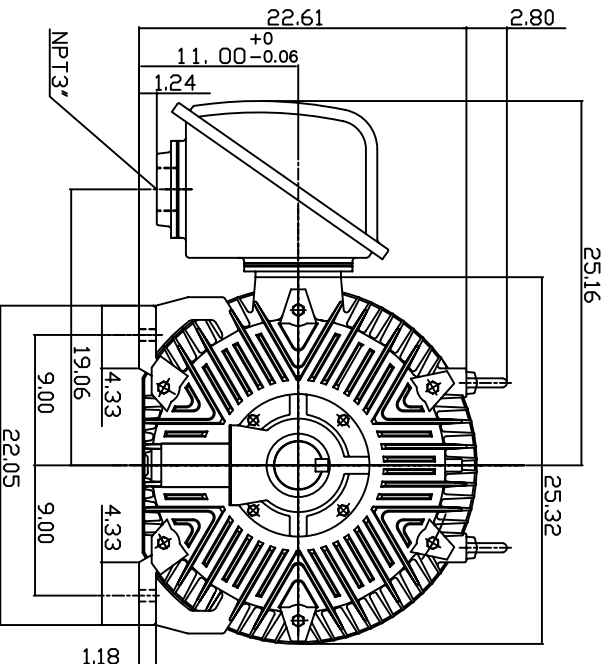
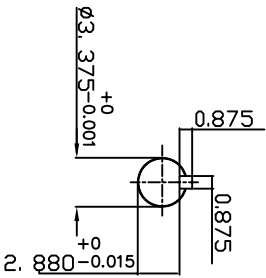
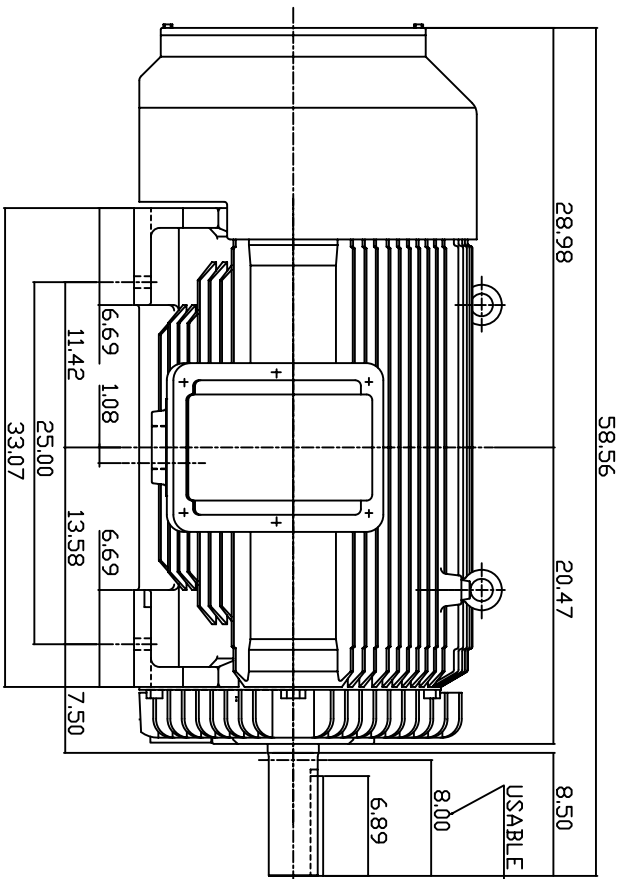


TYPE	OUTPUT		POLE	TIME RATING	VOLTAGE	Hz	SYN SPEED R.P.M
	HP	250/62.5					
AECA	250/62.5	4/8	4/8	CONT.	460	60	1800/900

TOTALLY ENCLOSED FAN-COOLED TYPE, SQUIRREL-CAGE ROTOR  
2 SPEED, 1 WINDING VARIABLE TORQUE



NOTE:

1. DIMENSIONS IN INCH.
2. FRAME NO.: 449T
3. F CLASS INSULATION, S.F.1.15
4. FOR DIRECT FLEXIBLE COUPLING.
5. BEARING SIZE: DRIVE END: 6320  
NON-DRIVE END: 6316
6. MOTOR APPROX. WEIGHT: 3100 LBS
7. ENCLOSURE : IP 55

TW-56C

DWN.	W/CHENG	MAY-10-2004
CHKD.	H/HUANG	MAY-10-2004
APPD.	C/WANG	MAY-10-2004

Nov. 15, 2006  
CAT. #: CP2504/8  
OUTLINE DIMENSIONS  
3-PHASE INDUCTION MOTOR



DWG NO. 3A040W799-1  
REV: 00