

Product Information Packet

November 8, 2016

Data shown is for the current revision model #. Ensure your nameplate model # matches.

Model Number:	5KS256XAA327B
Catalog Number:	M9506
Instruction Manual:	GEI-56128
Connection Diagram:	GEM2034E-FIG1
Outline Drawing:	4002B5825PDP5310

Accessory Connection Diagrams			
Bearing Thermocouple:	None	Heater:	None
RTD:	None	Thermistor:	None
Thermostat:	None	Winding Thermocouple:	None
Bearing RTD:	None		

Table of Contents

Specification	01
Performance Characteristics	02
Outline Drawing	03
Connection Drawing(s)	04
Spare parts	05



Marks:

MODEL NUMBER:	5KS256XAA327B	Estimated Weight:	350 Lbs
Outline Drawing:	4002B5825PDP5310	Time Rating:	CONT
Connection Diagram:	GEM2034E-FIG1	Enclosure:	TEFC
Instruction Book:	GEI-56128	Encl Construction:	841
Design Code:	25BD3060A	Ambient Max(°C):	40
Type:	KS	Alt Ambient Max(°C):	--
Frame:	256TC	Insulation Class:	H
Phases:	3	NEMA Design:	B
Poles:	6	Nominal Efficiency:	91 %
Output Power:	10HP 7.4KW	Guaranteed Efficiency:	90.2
RPM:	1175	3/4 Load Efficiency:	91.8
Voltage:	460	KVA Code:	H
Hertz:	60	Max KVAR:	4.4
Amps - FL:	13.1	Power Factor:	78.5
Service Factor:	1.15	Bearing - DE:	6310ZC3
Alt Service Factor:	--	Bearing - ODE:	6309ZC3

Enclosure is Totally Enclosed Fan-Cooled

Stamped Nameplate Notes:

IEEE-STD-841-2009
 DE BRG 50BC03JP30 ODE BRG 45BC03JP30
 STAMP NP249A5564P051 AS BELOW:
 MODEL:5KS256XAA327B S/N: XXX
 CSA CERTIFIED CSA09.2216219 FOR EX NA IIC 200C GC
 CL 1 ZONE2 AEX NA IIC 200C;CL 1 DIV2 GRP ABCD 200C
 IN -25C <= AMB <= 40C, 1.0 SF ON SINE-WAVE PWR
 SURF TEMP 200C AT 1.15SF ON SINE-WAVE PWR
 OR 200 C VT OR 200 C CT OR 200 C CHP PWM CONTROL
 ALTERNATE RATING FOR PWM CONTROL 1.0SF 40C AMB
 VT 0-60 HZ, CT 3-60 HZ, CHP 60-90 HZ.

Additional Information:

6P - T EXTN
 C/BOX 137 CU IN-1.25 NPT
 "C" FACE AT DE ENDSHIELD ROUND FRAME
 VERTICAL MOUNT SHAFT DOWN WITH DRIPCOVER
 PAINTED FRAME ID & SHAFT,
 FAN COVER INSIDE & ODE E/S OUTSIDE
 ROUTINE AND 5 POINT VIBRATION TESTS INCL IN C/BOX
 INPRO SEAL BOTH ENDS
 E/SHLD GROUND STUD MTD ON DE C/BOX SIDE NEAR FOOT
 ROTATE D.E. E/SHIELD 90 DEG. PER OUTLINE
 SHAFT RUNOUT LIMIT .001" TIR
 COPPER WASHER UNDER HEADS OF BEARING CAP BOLTS
 APPLY TITE-SEAL (A50CD427A) ON BEARING CAP SCREWS, RABBETS,
 AND PLUG THREADS



OIL RESISTANT SLEEVING ON LEADS

Performance Characteristics

1st Winding 1st Connection

Design: 25BD3060A

Marks:

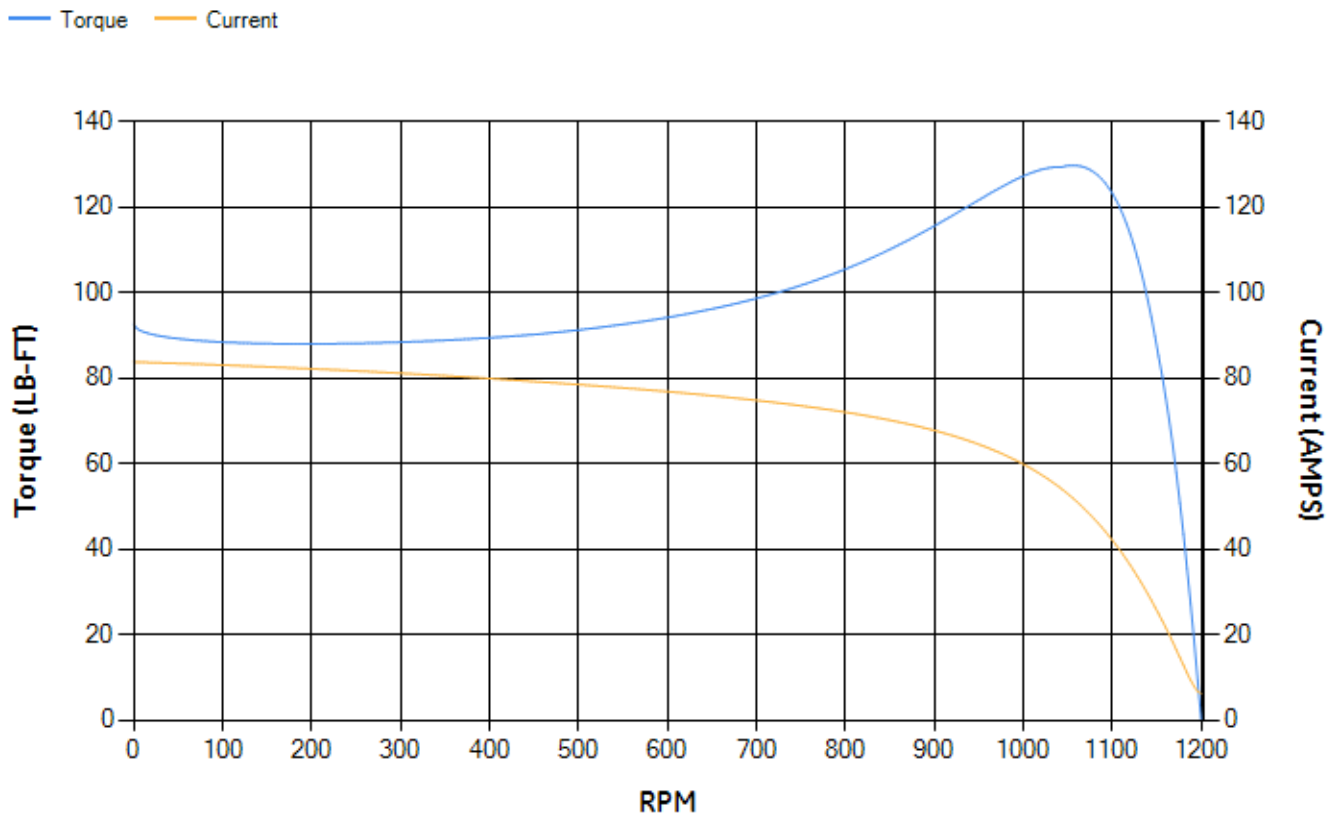
LOAD %	125.0	115.0	100.0	75.0	50.0	25.0	0.0
% EFF	90.34	90.79	91.53	91.79	91.22	87.13	0.00
% PF	81.15	80.26	78.26	72.36	60.8	39.09	4.76
AMPS	15.96	14.77	13.07	10.57	8.44	6.87	6.14

TORQ(FL)#FT	44.7	TORQ(LR)%FL	207.2	TORQ(BD)%FL	287.88
AMPS(LR)	83.74	PF AT START	0.4		

This motor is capable of two cold or one hot start with a maximum connected load inertia of 1065 Lb-Ft Sq (44.84 Kg-meter Sq)at 100% voltage, where the load torque varies with the square of the speed. Acceleration time with maximum inertia and the above load type is 49 seconds. Safe stall time at 100% voltage is 108 seconds cold, 75 seconds hot. Rotor inertia is 2.01 Lb-Ft Sq (0.08 Kg-meter Sq).

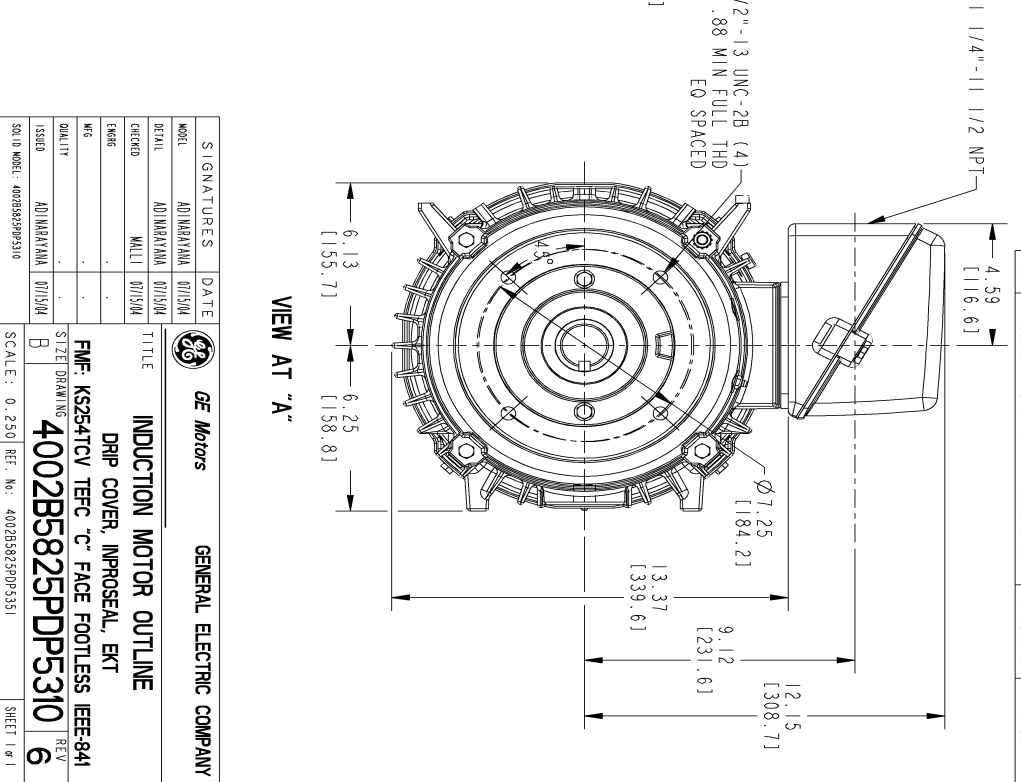
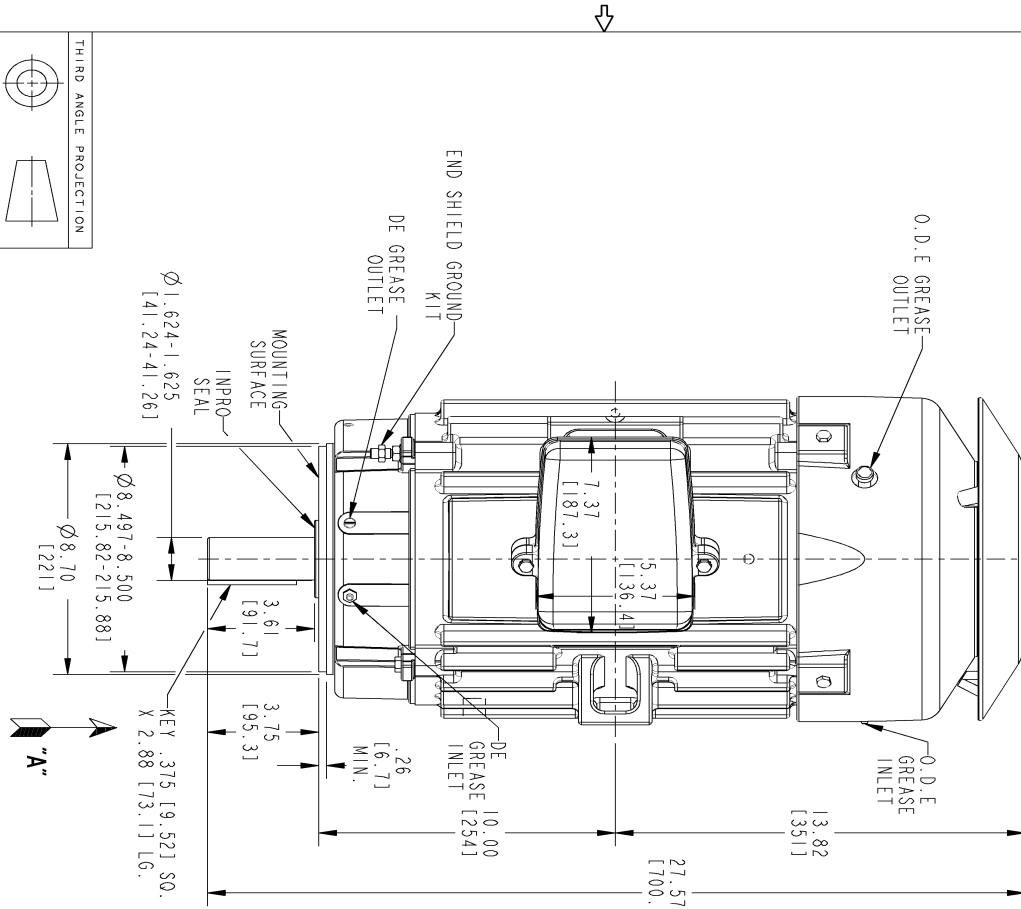
Open Circuit A-C:	0.248	Short Circuit D-C:	0.012
Short Circuit A-C:	0.016	X/R Ratio:	4.437
Stator Slots:	54	Rotor Slots:	42

Speed Torque Current Curve (First Connection, First Speed)



Marks:

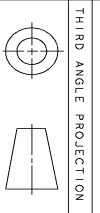
NOTE 1: CONDUIT BOX MAY BE ASSEMBLED WITH ENTRANCE UP, DOWN OR TO EITHER SIDE.
 NOTE 2: F1 ASSEMBLY AS SHOWN. F2 ASSEMBLY CONDUIT BOX ON OPPOSITE SIDE FROM SHOWN LOCATION.
 NOTE 3: MOUNTING SURFACES TO BE SQUARE AND CONCENTRIC WITH SHAFT WITHIN .004 T.I.R.
 NOTE 4: SHAFT RUNOUT WILL NOT EXCEED .001 T.I.R.
 NOTE 5: DE ENDSHIELD ROTATED 90 DEG COUNTER CLOCKWISE



REV.	DESCRIPTION	DATE	APPROVED
1	ISAAC 09-0652 ATUL	07/17/09	PANKAJ
2	ISAAC 10-0181 MANCHI	03/18/10	RAGHUNATH
3	ISAAC# 12-0047 GIREESH	01/16/12	RAGHUNATH
4	ISAAC# 14-0656 TEJASWI	08/28/14	HARI KIRAN
5	ISAAC # 14-0739 HAREHARAN	09/19/14	MANCHI
6	ISAAC # 15-0417	04/30/15	V.JAY

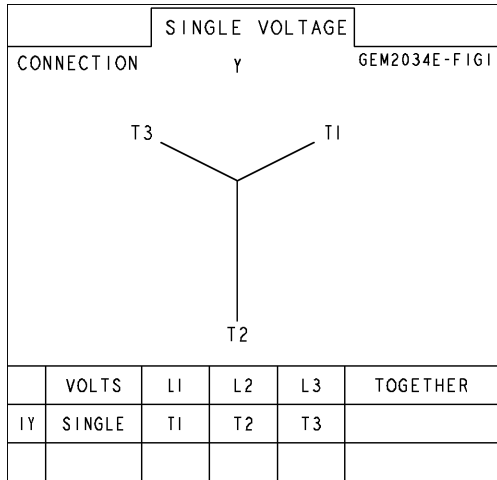
SIGNATURES	DATE	GE Motors	GENERAL ELECTRIC COMPANY
ADIMARAYANA	ADIMARAYANA	ADIMARAYANA	ADIMARAYANA
MALLI	MALLI	MALLI	MALLI

INDUCTION MOTOR OUTLINE
 DRIP COVER, IMPROSEAL, EKT
FME: KS254TCV TFC "C" FACE FOOTLESS IEEE-841
4002B5825PDP5310
 SCALE: 0.250 REF. No.: 4002B5825PDP5310



Marks:

Connection Diagram
GEM2034E-FIG1



End shield Assembly		
Part Description	DE Side Part#	ODE Side Part#
End Shield	128D6106PM1	4004D5283SE1
Bearing	235A2608AA01	235A2607AA01
Slinger/Inproseal	235A4575GC20	4002B5914AG4

Fan & Fan Cover Assembly	
Part Description	Part#
Fan	159C6800G01
Fan Cover	4003C5525BN-G01

Conduit & Accessories Box Assembly	
Part Description	Part#
Conduit Box	4002B5728PA-G04

Mechanical Accessories	
Part Description	Part#
Brake	
Tachometer	