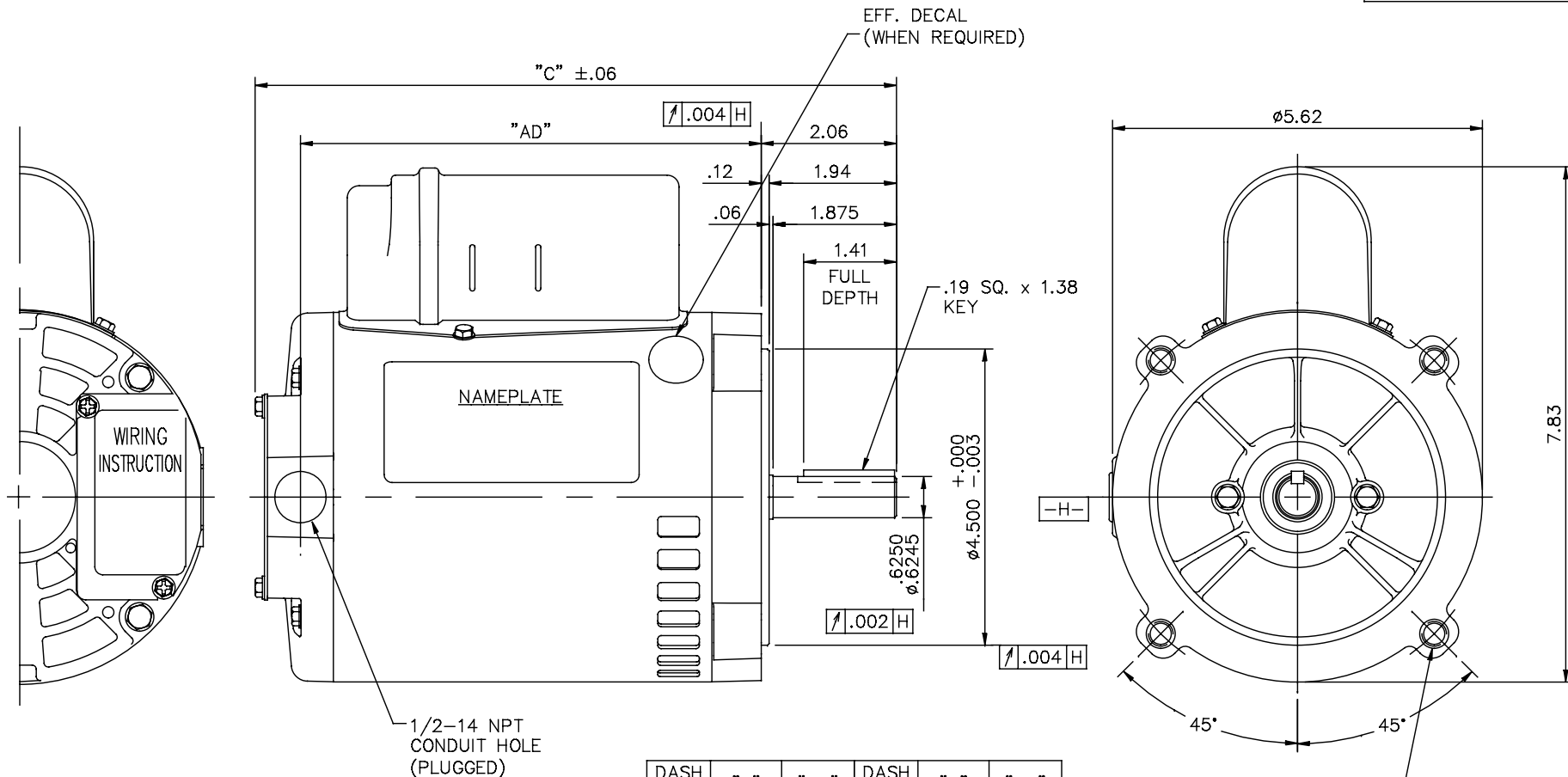



031643



DASH NO.	"C"	"AD"	DASH NO.	"C"	"AD"
550	9.49	6.75	725	11.24	8.50
575	9.74	7.00	750	11.49	8.75
600	9.99	7.25	775	11.74	9.00
625	10.24	7.50	800	11.99	9.25
650	10.49	7.75	825	12.24	9.50
675	10.74	8.00	850	12.49	9.75
700	10.99	8.25			

				TOLERANCES UNLESS SPECIFIED		 ELECTRIC MOTORS GEARMOTORS AND DRIVES	DRAWN PG 7/25/01		
				DEC.	INCHES		CHK		
04	UPDATED WITH CAP BOX AND DECAL	SL	10/06/15	JD	.X	±.1			
03	ADDED DASH NO'S. 725-850	PG	1/8/04		.XX	±.03	TITLE	SCALE 1=2	
02	REVISED CALLOUT FOR GD&T	KMM	6/6/02		.XXX	±.005	"C" FACE MOUNT - DRIP PROOF	REF 031070	
01	ADDED ANGULAR DIM. FOR FACE MTG. TAPS	PG	8/20/01		.XXXX	±.0005	MAT'L. 1 PHASE	FMF	
NO.	REVISION	BY & DATE	CHK	ANG	±1/2"	FINISH		PREV	
THIS DRAWING IN DESIGN AND DETAIL IS OUR PROPERTY AND MUST NOT BE USED EXCEPT IN CONNECTION WITH OUR WORK ALL RIGHTS OF DESIGN AND INVENTION ARE RESERVED THIS IS AN ELECTRONICALLY GENERATED DOCUMENT - DO NOT SCALE THIS PRINT				RFP	CAD FILE	031643	SIZE A	DRAWING NO. 031643	REV. 04
				DIST					