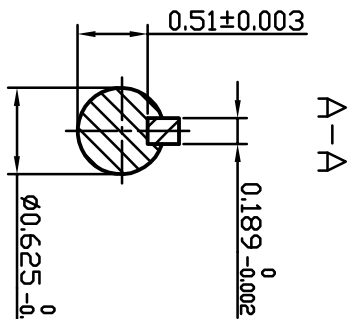
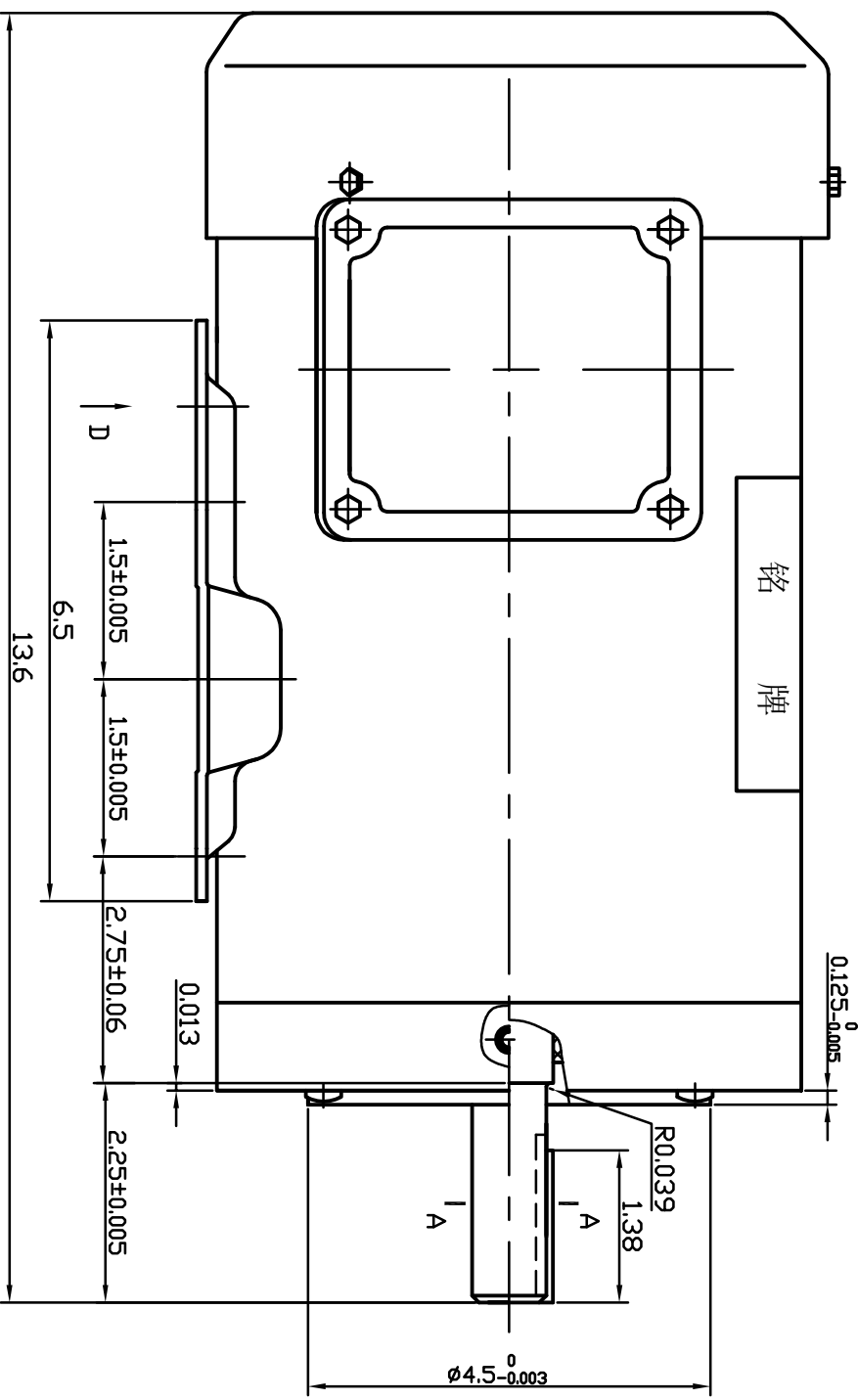
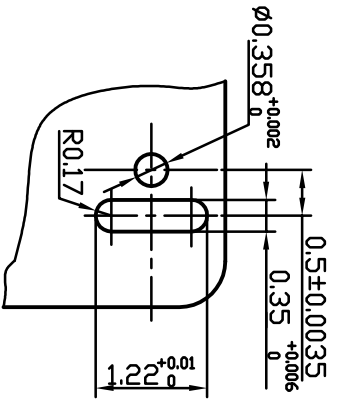
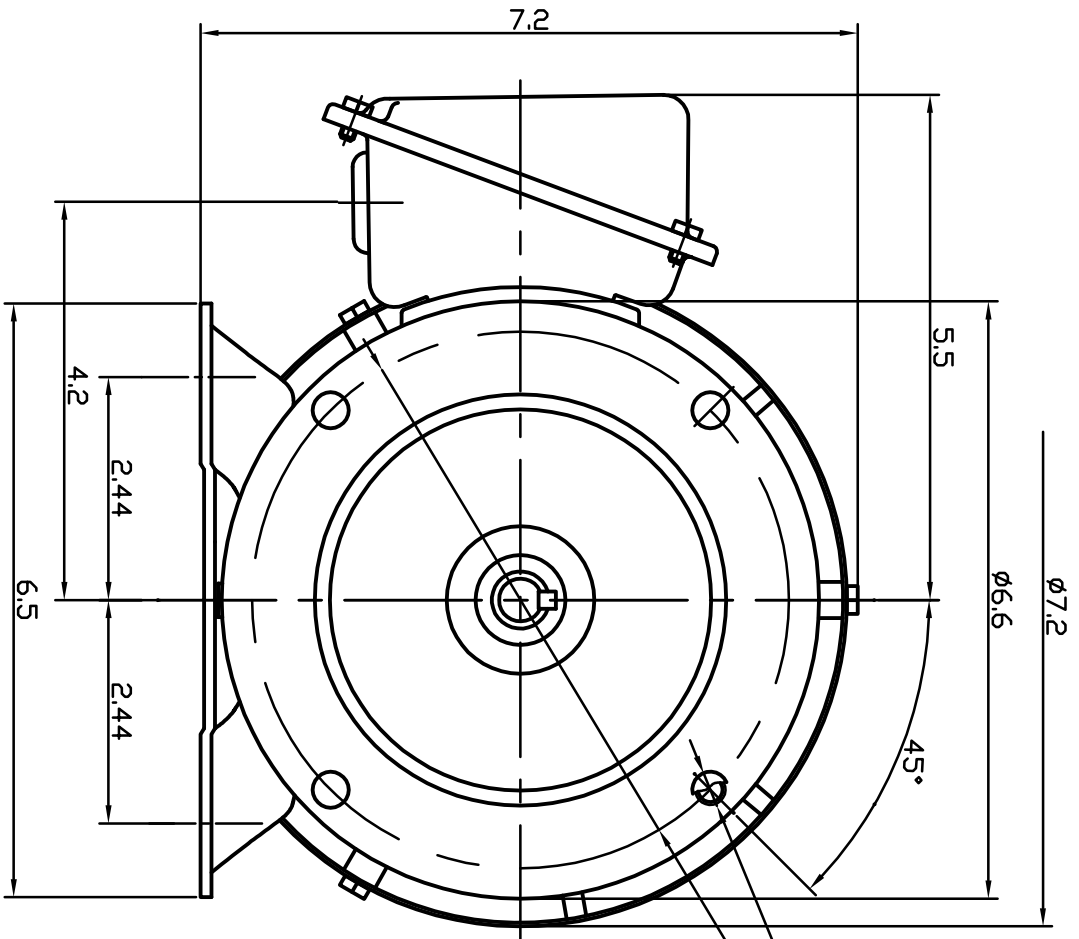


REV	ECO	REV BY	DATE	APPD	DATE



UL MODEL NO.	HP	VOLTS	HZ	PH	RPM	thermal protector	IP
056T11WD5387	1	230/460	60	3	1160	NONE	55

DR BY:	
APPD:	
FIRST ANGLE PROJECTION	EDS DATE VERSION

	DESCRIPTION
	056T11WD5387
SIZE	DWG NO
A3	
SCALE	SHEET
1:2	

CONFIDENTIAL PROPERTY OF GW ELECTRIC (SHANGHAI) CORPORATION AND ARE NOT TO BE DISCLOSED, DUPLICATED, OR OTHERWISE USED WITHOUT THE WRITTEN CONSENT OF GW ELECTRIC (SHANGHAI) CORPORATION, OR ITS AGENT, AG-I MOTORTEC INC.  
- ALL RIGHTS RESERVED

GW ELECTRIC (SHANGHAI) Co., Ltd.