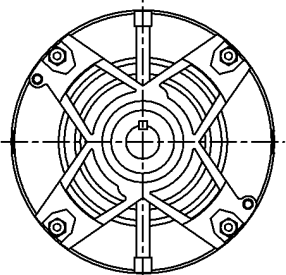
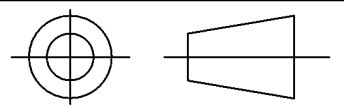


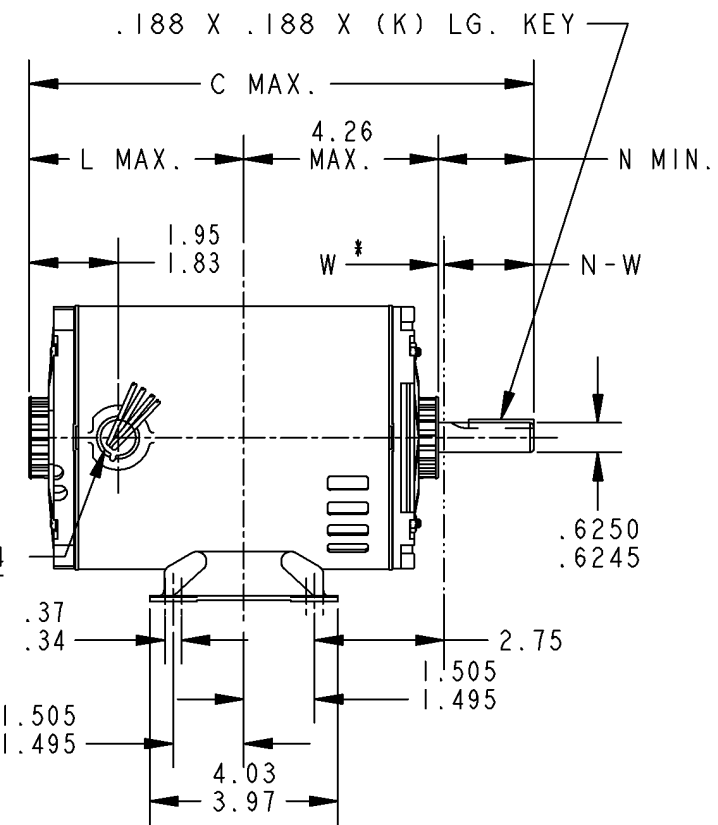
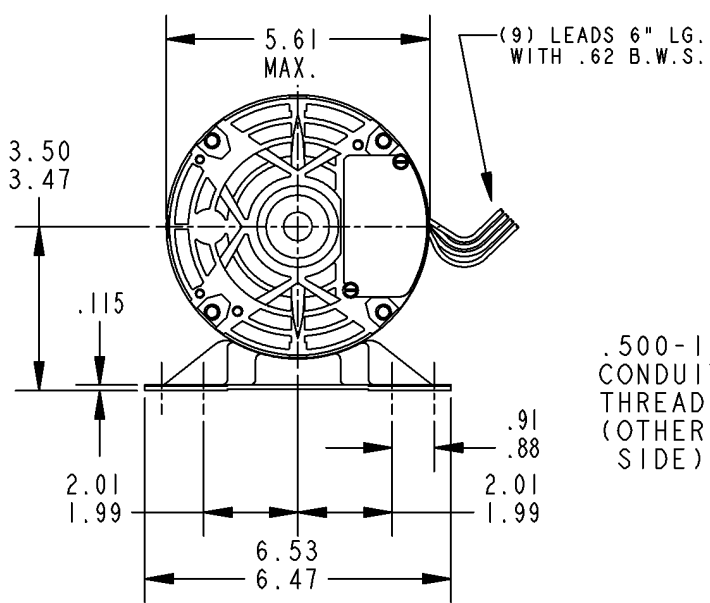
**RBC PROPRIETARY AND CONFIDENTIAL INFORMATION**  
 This document is the property of REGAL BELOIT CORPORATION ("RBC") including its subsidiaries and divisions and contains proprietary information of RBC. This document is loaned on the express condition that neither it nor the information contained therein shall be disclosed to others without the express written consent of RBC, and that the information shall be used by the recipient only as approved expressly by RBC. This document shall be returned to RBC upon its request. This document may be subject to certain restrictions under U.S. export control laws and regulations.

REVISIONS			
REV.	DESCRIPTION	DATE	APPROVED
1	UPDATED AS PER IS05-1826	09/06/05	PRAVEEN.K

THIRD ANGLE PROJECTION




VIEW SHOWING P.E. VENTILATION OPENINGS



I	K	38	56Z	11.32	1.38	5.23	1.88	2.01/1.79
P	TYPE	GE SIZE	NEMA FR	C	K	L	N	N - W

W\* IS A CLEARNCE DUE TO VARIATION IN PARTS AND ASSEMBLY.

FOR ADDITIONAL INFO REFER TO:	SIGNATURES	DATE
APPLIED PRACTICES	MODEL	.
DIMENSIONS ARE IN INCHES	DETAIL	MANTRI.U 11/10/04
TOLERANCE ON:	CHECKED	.
1 PL DECIMALS ± 0.1	ENGRG	.
2 PL DECIMALS ± 0.02	MFG	.
3 PL DECIMALS ± 0.005	QUALITY	.
ANGLES ± 1.0	ISSUED	MANTRI.U 11/10/04
FRACTIONS ±		
FINISH		
MATERIAL	SOLID MODEL: 52A111263	



**REGAL-BELOIT CORPORATION**

**TITLE**

**OUTLINE**

**FORM N - GENERAL PURPOSE MOTOR**

**DRIP PROOF - WELDED BASE - BALL BEARING**

SIZE: DRAWING **A**

SCALE: 0.003 REF. No: .

**52A111263** REV **1**

SHEET 1 of 1