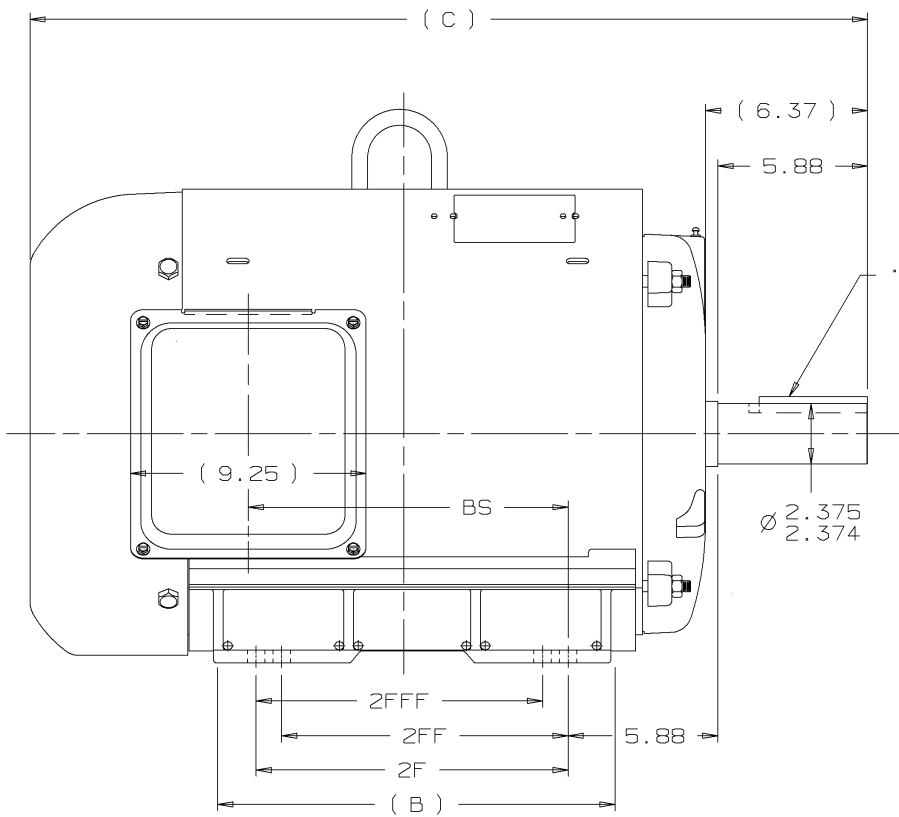


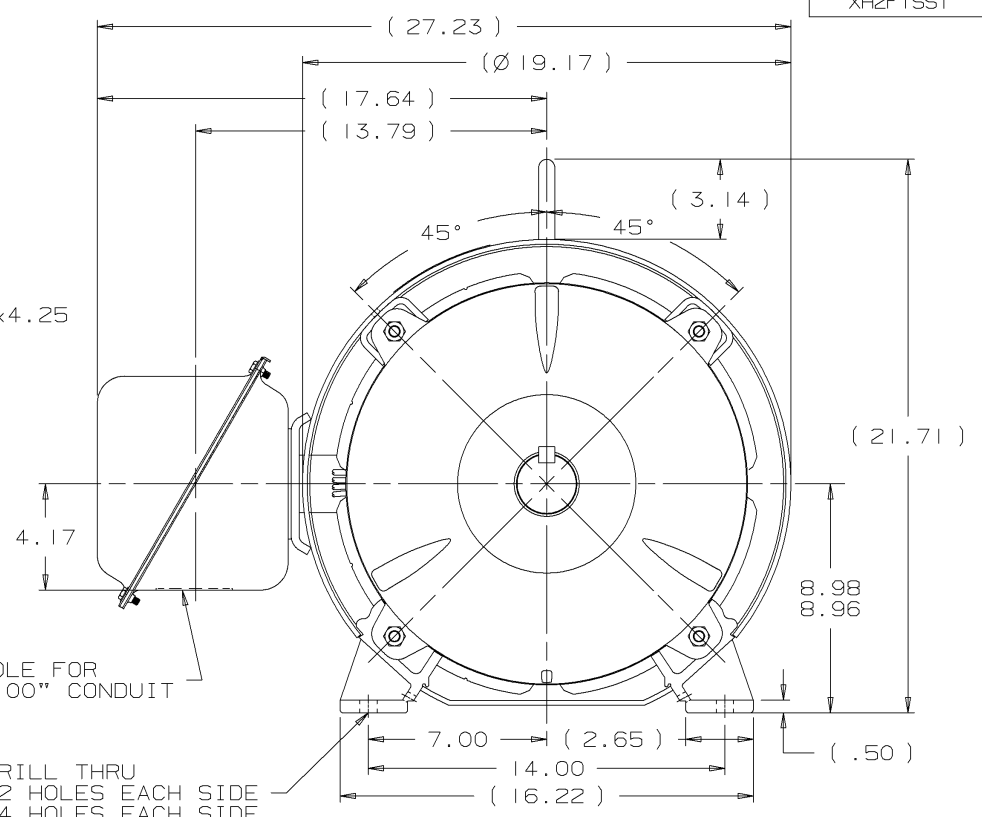
XH2F1SS1



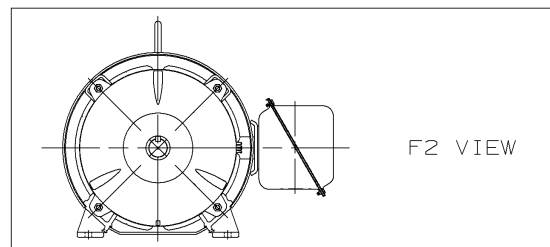
.63x.63x4.25
KEY

Ø 2.375
2.374

Ø.68 DRILL THRU
364 - 2 HOLES EACH SIDE
365 - 4 HOLES EACH SIDE



HOLE FOR
3.00" CONDUIT



NOTES:
1. CONDUIT BOX CAN BE ROTATED IN 90° STEPS.
2. NAMEPLATES TO BE READ FROM CONDUIT BOX SIDE OF MOTOR.

DASH	FRAME	C	BS	B	2F	2FF	2FFF	REV	DATE	CHANGE	NAME	PART NAME	MATERIAL	DRWG NO
1670	364T	31.90	11.56	14.61	11.25			1	10-31-2002	NEW DRAWING	CTO	360T TEFC UE1		XH2F1SS1
1770	365T	32.90	12.56	15.61	12.25	11.25	11.25							XH2F1SS1



UNLESS OTHERWISE SPECIFIED DIMENSIONS ARE IN INCHES
TOL. ON XX±.02 XXX±.005 XXXX±.0005 ANGLE± 7'30"

MAX. SURFACE ROUGHNESS
UNLESS OTHERWISE NOTED

FINISH

MATERIAL

DRAWN BY CTO 10-31-2002

CHKD BY ML 10-31-2002

APPD BY HNH 10-31-2002

DISTRIBUTION ~~W~~ - ~~X~~ - ~~W~~ - BY | CADD FILE NO. | XH2F1SS1