

DATE
MAY 28, 2009
CATALOG # DTP0034G

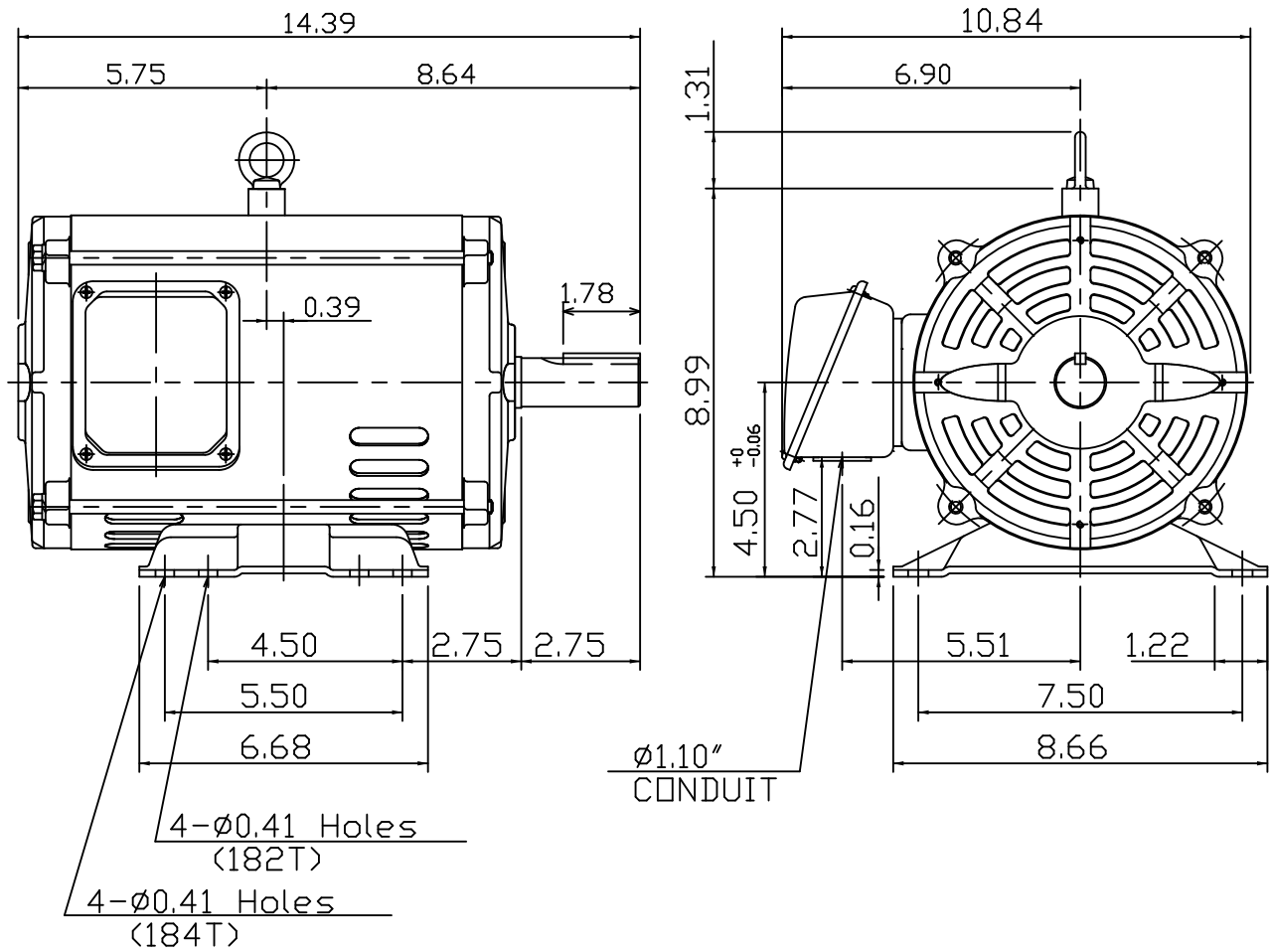
OUTLINE DIMENSIONS
3-PHASE INDUCTION MOTOR

MOTOR TYPE:
ASGH-SGR
FRAME NO. 182T

| | | | | | |
|------|----|------|----|---------|-------------------------|
| Pole | HP | kW | Hz | VOLT | Syn.Speed r/min(rpm) |
| 4 | 3 | 2.24 | 60 | 230/460 | 1800 |

| | | | | |
|-----|--------|--------------|---------------|---------------------------|
| Ins | Rating | Dimension in | Approx Weight | Bearings |
| F | CONT. | inches | 60 lbs. | DE: 6206ZZC3NDE: 6205ZZC3 |

Open Protected Drip-Proof Squirrel Cage Rotor.



NOTE:
1.AEGIS Grounding ring installed on Drive-end.



| | | |
|-------|-----------|----------|
| DWN. | J.H.LIANG | 04-28-08 |
| CHKD. | H.C.YAN | 05-05-08 |
| APPD. | M.C.TSAI | 05-05-08 |



DWG NO.
31049R170010