

Product Information Packet

November 8, 2016

Data shown is for the current revision model #. Ensure your nameplate model # matches.

Model Number:	5KS284XAA114D3
Catalog Number:	M9575
Instruction Manual:	GEI-56128
Connection Diagram:	GEM2034E-FIG7
Outline Drawing:	4002B5828PAP5313

Accessory Connection Diagrams			
Bearing Thermocouple:	None	Heater:	None
RTD:	None	Thermistor:	None
Thermostat:	None	Winding Thermocouple:	None
Bearing RTD:	None		

Table of Contents

Specification	01
Performance Characteristics	02
Outline Drawing	03
Connection Drawing(s)	04
Spare parts	05



Marks:

MODEL NUMBER:	5KS284XAA114D3	Estimated Weight:	460 Lbs
Outline Drawing:	4002B5828PAP5313	Time Rating:	CONT
Connection Diagram:	GEM2034E-FIG7	Enclosure:	TEFC
Instruction Book:	GEI-56128	Encl Construction:	841
Design Code:	28BD0159B	Ambient Max(°C):	40
Type:	KS	Alt Ambient Max(°C):	--
Frame:	284TS	Insulation Class:	H
Phases:	3	NEMA Design:	B
Poles:	2	Nominal Efficiency:	91.7 %
Output Power:	25HP 18.5KW	Guaranteed Efficiency:	91.0
RPM:	3550	3/4 Load Efficiency:	92.6
Voltage:	575	KVA Code:	G
Hertz:	60	Max KVAR:	4.8
Amps - FL:	22.4	Power Factor:	91.0
Service Factor:	1.15	Bearing - DE:	6310ZC3
Alt Service Factor:	--	Bearing - ODE:	6310ZC3

Enclosure is Totally Enclosed Fan-Cooled

Stamped Nameplate Notes:

IEEE-STD-841-2009
 DE BRG 50BC03JP30 ODE BRG 50BC03JP30
 STAMP NP249A5564P051 AS BELOW:
 MODEL:5KS284XAA114D3 S/N: XXX
 CSA CERTIFIED CSA09.2216219 FOR EX NA IIC 200 C GC
 CL1 ZONE2 AEX NA IIC 200 C; CL1 DIV2 GRP ABCD 200C
 IN -25C <= AMB <= 40C, 1.0 SF ON SINE-WAVE PWR
 SURF TEMP 260 C AT 1.15 SF ON SINE-WAVE PWR
 OR 200 C VT OR 215 C CT OR 215 C CHP PWM CONTROL
 ALTERNATE RATING FOR PWM CONTROL 1.0 SF 40 C AMB
 VT 0-60 HZ, CT 12-60 HZ, CHP 60-90 HZ.

Additional Information:

2P - TS EXTN
 STANDARD FLOOR MOUNT
 C/BOX 137 CU IN-1.50 NPT
 F1 CONDUIT BOX MOUNTING
 PAINTED FRAME ID & SHAFT,
 FAN COVER INSIDE & ODE E/S OUTSIDE
 ROUTINE AND 5 POINT VIBRATION TESTS INCL IN C/BOX
 INPRO SEAL BOTH ENDS
 GROUND SCREW ON FRAME
 SHAFT RUNOUT LIMIT .001" TIR
 COPPER WASHER UNDER HEADS OF BEARING CAP BOLTS
 APPLY TITE-SEAL (A50CD427A) ON BEARING CAP SCREWS, RABBETS,
 AND PLUG THREADS
 OIL RESISTANT SLEEVING ON LEADS



Performance Characteristics

1st Winding 1st Connection

Design: 28BD0159B

Marks:

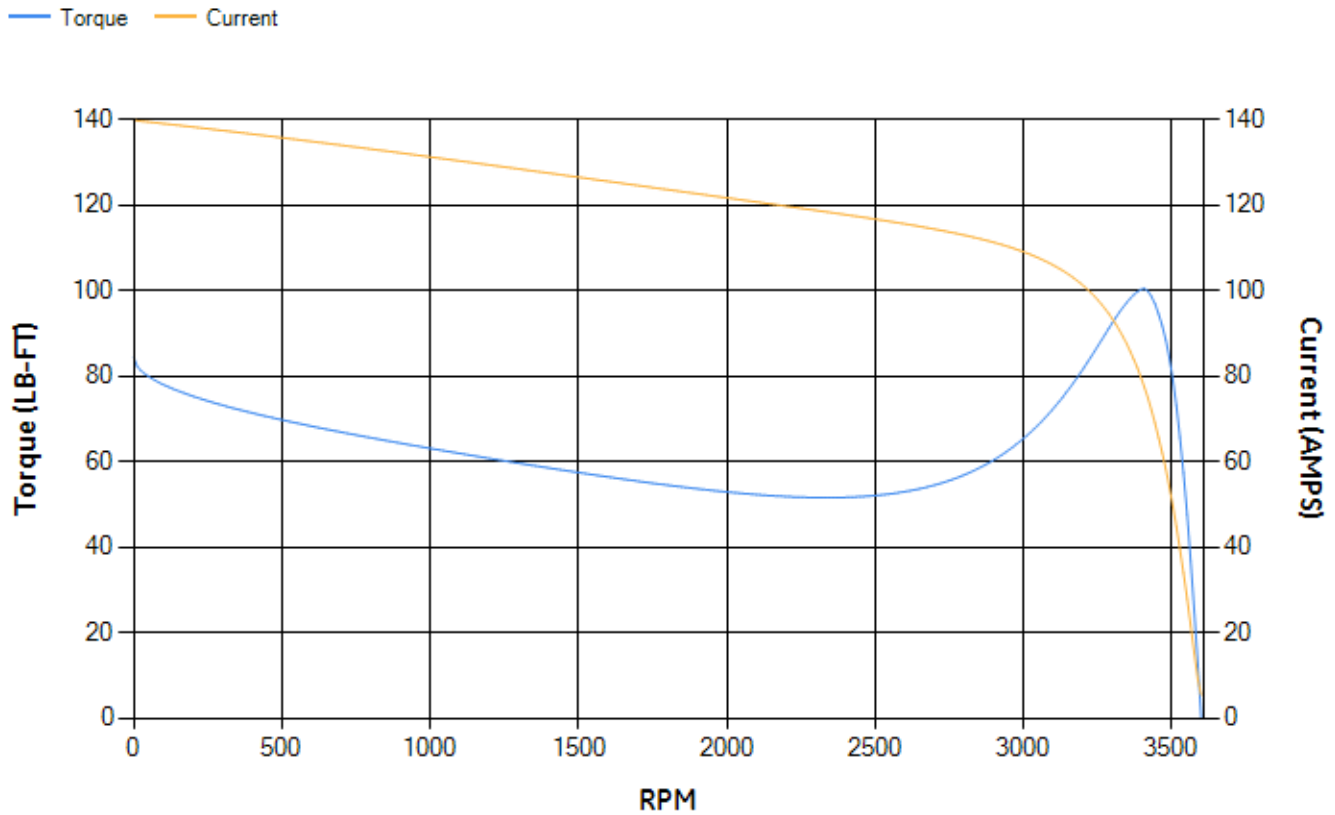
LOAD %	125.0	115.0	100.0	75.0	50.0	25.0	0.0
% EFF	90.62	91.15	92.02	92.55	92.42	89.4	0.00
% PF	90.89	91.02	90.91	89.51	84.72	68.05	8.7
AMPS	28.41	25.95	22.38	16.95	11.95	7.69	5.35

TORQ(FL)#FT	36.99	TORQ(LR)%FL	228.17	TORQ(BD)%FL	270.39
AMPS(LR)	139.79	PF AT START	0.39		

This motor is capable of two cold or one hot start with a maximum connected load inertia of 80 Lb-Ft Sq (3.37 Kg-meter Sq) at 100% voltage, where the load torque varies with the square of the speed. Acceleration time with maximum inertia and the above load type is 18 seconds. Safe stall time at 100% voltage is 39 seconds cold, 22 seconds hot. Rotor inertia is 2.13 Lb-Ft Sq (0.09 Kg-meter Sq).

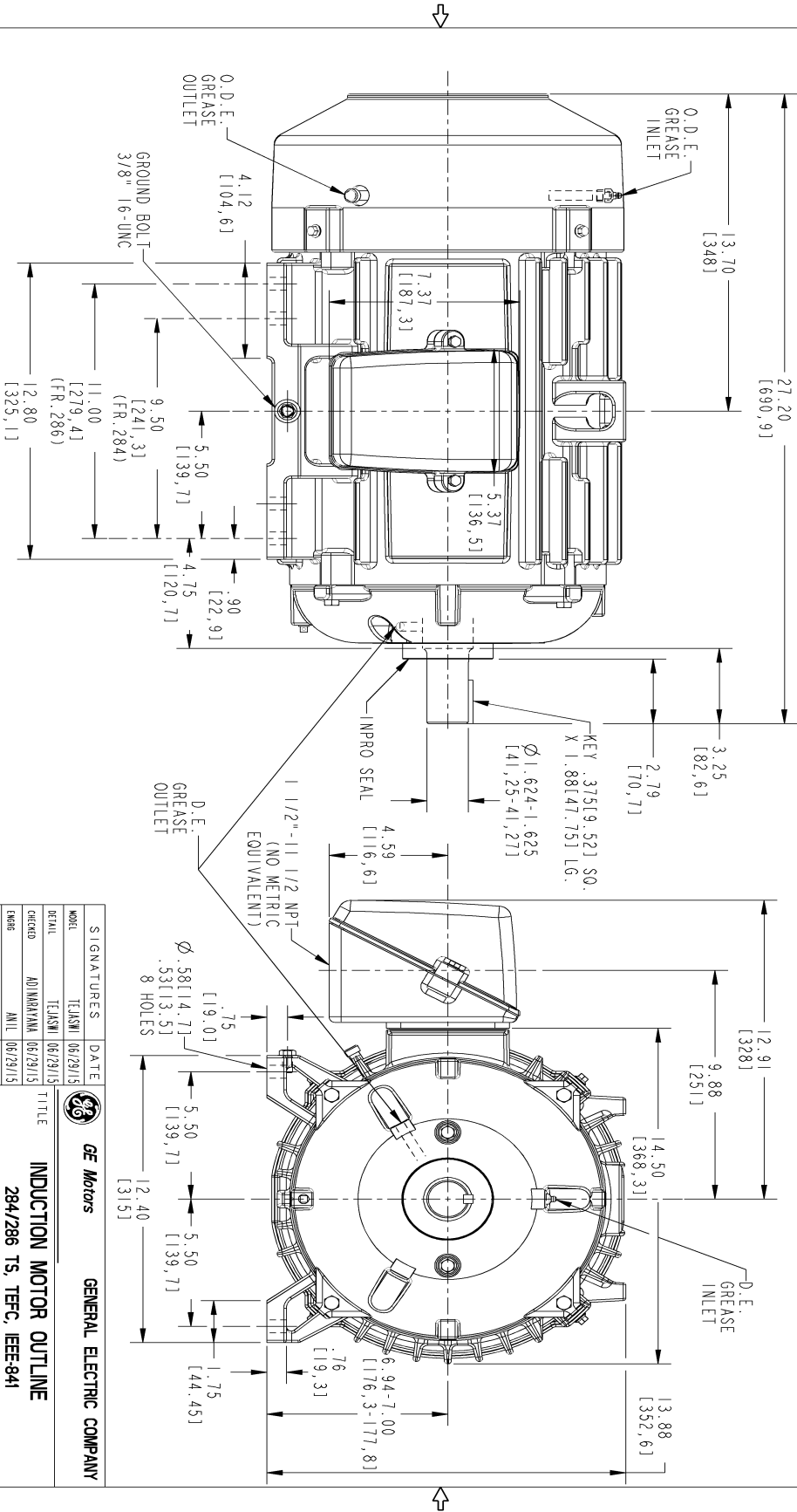
Open Circuit A-C:	0.795	Short Circuit D-C:	0.013
Short Circuit A-C:	0.027	X/R Ratio:	4.783
Stator Slots:	48	Rotor Slots:	38

Speed Torque Current Curve (First Connection, First Speed)



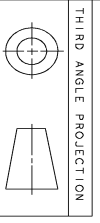
Marks:

NOTE 1: CONDUIT BOX MAY BE ASSEMBLED WITH ENTRANCE UP, DOWN OR TO EITHER SIDE.
 NOTE 2: F1 ASSEMBLY AS SHOWN. F2 ASSEMBLY CONDUIT BOX ON OPPOSITE SIDE FROM SHOWN LOCATION.
 NOTE 3: SHAFT RUNOUT WILL NOT EXCEED .001 T.I.R.
 NOTE 4: ALL DIMENSIONS ARE IN INCHES & BRACKETED DIMENSIONS ARE IN METRIC (MILLIMETERS)



SIZE	DRAWING NO.	REV	SHEET
B	4002B5828PAP5313	1	1

REVISIONS			
REV.	DESCRIPTION	DATE	APPROVED
1	ISAAC # 16-0298	DECPAMANI 04/04/2016	NARAYANA



SIGNATURES		DATE	
DESIGN	TEJASWI	06/29/15	
DETAIL	TEJASWI	06/29/15	
CHECKED	ADINIRAYANA	06/29/15	
ENGR	ANIL	06/29/15	
QUALITY	TEJASWI	06/29/15	
ISSUED			
SOLID MODEL: 4002B5828PAP5313			
SCALE: 0.250		REF. No.: 4002B5828PAP5302	
SHEET 1 of 1			

GE Motors GENERAL ELECTRIC COMPANY

INDUCTION MOTOR OUTLINE

284/286 TS, TFC, IEEE-841

CB0X 137 CUM. - 150 NPT, IMPRO SEAL, GROUND PAD
4002B5828PAP5313

Marks:

Connection Diagram
GEM2034E-FIG7



End shield Assembly		
Part Description	DE Side Part#	ODE Side Part#
End Shield	4004D5284PB1	4004D5284SE1
Bearing	235A2608AA01	235A2608AA01
Slinger/Inproseal	4002B5914AF6	4002B5914AG5

Fan & Fan Cover Assembly	
Part Description	Part#
Fan	159C6704G02
Fan Cover	4003C5789PA1

Conduit & Accessories Box Assembly	
Part Description	Part#
Conduit Box	4002B5728PA-G01

Mechanical Accessories	
Part Description	Part#
Brake	
Tachometer	