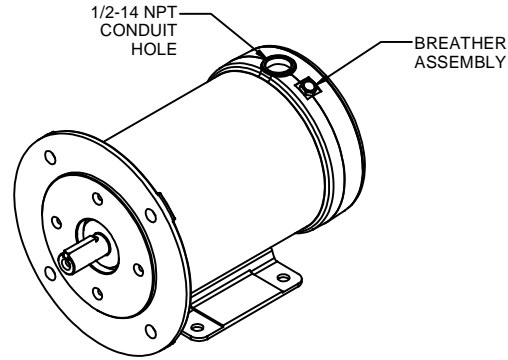


DASH NO.	"C"	"AD"
525	9.24	6.29
550	9.50	6.54
575	9.75	6.79
600	10.00	7.04
625	10.75	7.29
650	11.00	7.54
675	11.75	7.79
700	12.00	8.04
725	12.75	8.29
750	13.00	8.54



		TOLERANCES UNLESS SPECIFIED		LEESON ELECTRIC MOTORS GEARMOTORS AND DRIVES		DRAWN VV 12/25/09	
		DEC	INCHES			CHK JJK 12/25/09	
		X	$\pm .1$			APPR	
02	LEAD EXIT WAS AT 9 O'CLOCK ISAAC 10-4197	SAD 10/12/2010	GWS xxx $\pm .005$	TITLE OUTLINE - 48 FR IEC 80- B5 FRAME- RIGID		SCALE 1:4 REF 031730	
01	ADDED BREATHER ASSEMBLY	VV 3/13/2010	xxx $\pm .0005$	MATL		FMF 103401	
NO	REVISION	BY & DATE	CHK ANG $\pm 1/2^\circ$	FINISH		PAGE 1 OF 1	
THIRD ANGLE PROJECTION		RFP	PREV	SIZE	DRAWING NO	REV	
		NETWORK FILE NAME	031997	B	031997	02	