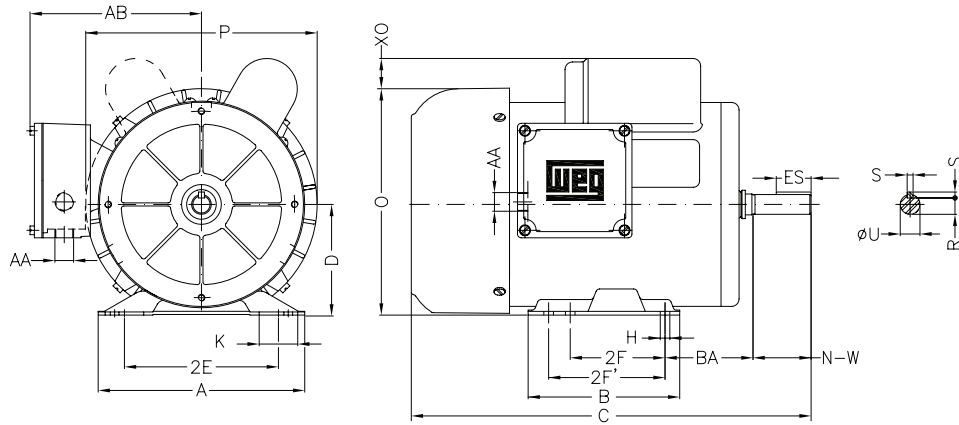


# NEMA 56 Frame Single Phase Motors

## TEFC - Mechanical Data



NEMA FRAMES	MOUNTING					A	B	C	D	O	P	X0	KEYWAY			SHAFT EXTENSION		AB	AA	BEARINGS	
	2E	2F	H	H1	BA								S	R	ES	N-W	U			D.E.	N.D.E.
B56		3.000					4.016	11.102												6203-ZZ	6202-ZZ
D56	4.875		0.343	1.220	2.750	6.535		12.283	3.500	7.165	7.323	1.064	0.187	0.517	1.102	1.874	0.625	5.433	2X NPT0.5"	6204-ZZ	
F56H																					
G56H		5.000					6.496	13.464													6203-ZZ

"C" FLANGE DIMENSIONS							
NEMA FRAMES	AJ	AK	BD	BF		BB	AH
				NUMBER	TAP SIZE		
B56							
D56	5.875	4.500	6.535	4	UNC3/8"x16	0.157	2.063
F56H							
G56H							

