

Product Information Packet

May 6, 2017

Data shown is for the current revision model #. Ensure your nameplate model # matches.

Model Number:	5KS324DAJ6022B
Catalog Number:	V4550
Instruction Manual:	GEK-95353
Connection Diagram:	GEM2034E-FIG1
Outline Drawing:	148CB32VMHKBCLA0001

Accessory Connection Diagrams

Bearing Thermocouple:	None	Heater:	3027JE-1C
RTD:	None	Thermistor:	None
Thermostat:	None	Winding Thermocouple:	None
Bearing RTD:	None		

Table of Contents

Specification	01
Performance Characteristics	02
Outline Drawing	03
Connection Drawing(s)	04
Spare parts	05



Marks:

MODEL NUMBER:	5KS324DAJ6022B	Estimated Weight:	690 Lbs
Outline Drawing:	148CB32VMHKBCLA0001	Time Rating:	CONT
Connection Diagram:	GEM2034E-FIG1	Enclosure:	WPI
Instruction Book:	GEK-95353	Encl Construction:	OPEN
Design Code:	32BD1241BA	Ambient Max(°C):	40
Type:	KS	Alt Ambient Max(°C):	--
Frame:	L324TP16	Insulation Class:	H
Phases:	3	NEMA Design:	B
Poles:	4	Nominal Efficiency:	94.1 %
Output Power:	40HP 29.6KW	Guaranteed Efficiency:	93.0
RPM:	1780	3/4 Load Efficiency:	--
Voltage:	575	KVA Code:	G
Hertz:	60	Max KVAR:	17.2
Amps - FL:	41.0	Power Factor:	78.0
Service Factor:	1.15	Bearing - DE:	6212C3
Alt Service Factor:	--	Bearing - ODE:	235A2523AD01

Enclosure is Weather Protected One

Stamped Nameplate Notes:

HTR LDS HE1-HE2 115V 100W
 ROT CCW FACING ODE LEAD/PH SEQ 1-2-3/1-2-3
 INVERTER DUTY PER NEMA MG1 PART 31
 ALTERNATE RATING FOR PWM CONTROL:1.0SF 40C AMBIENT
 VAR TORQUE RANGE 5-60 HZ
 UPPER BRG LUBE OIL: 2.1 QTS
 0 DEG C TO 40 DEG C : ISO 32(MINERAL OR SYNTHETIC)
 -15 DEG C TO 0 DEG C : ISO 32 SYNTHETIC

Additional Information:

4P, VERT HOLLOW SHAFT HIGH THRUST (1D)
 SPECIAL BALANCE
 346 CU IN - 3.00" NPT
 OIL RESISTANT SLEEVING ON LEADS
 115V HTR LDS TO MAIN CONDUIT BOX
 COUPLING NOT INCLUDED IN BOM, WILL BE
 ORDERED SEPERATELY
 GROUND PAD
 SHAFT GROUNDING RING MOUNTED ON LOWER END BRG CAP
 BEARING LIFE 8760 HRS AT 6324 LB THRUST
 CG:13.86 IN FROM P-BASE FACE, STAT DEF:0.0025 IN
 RCF:3600 CPM AT C/BOX SIDE, 3870 CPM AT
 90 DEG FROM C/ BOX SIDE
 NON-REVERSE BALL CARRIER

Performance Characteristics

1st Winding 1st Connection

Design: 32BD1241BA

Marks:

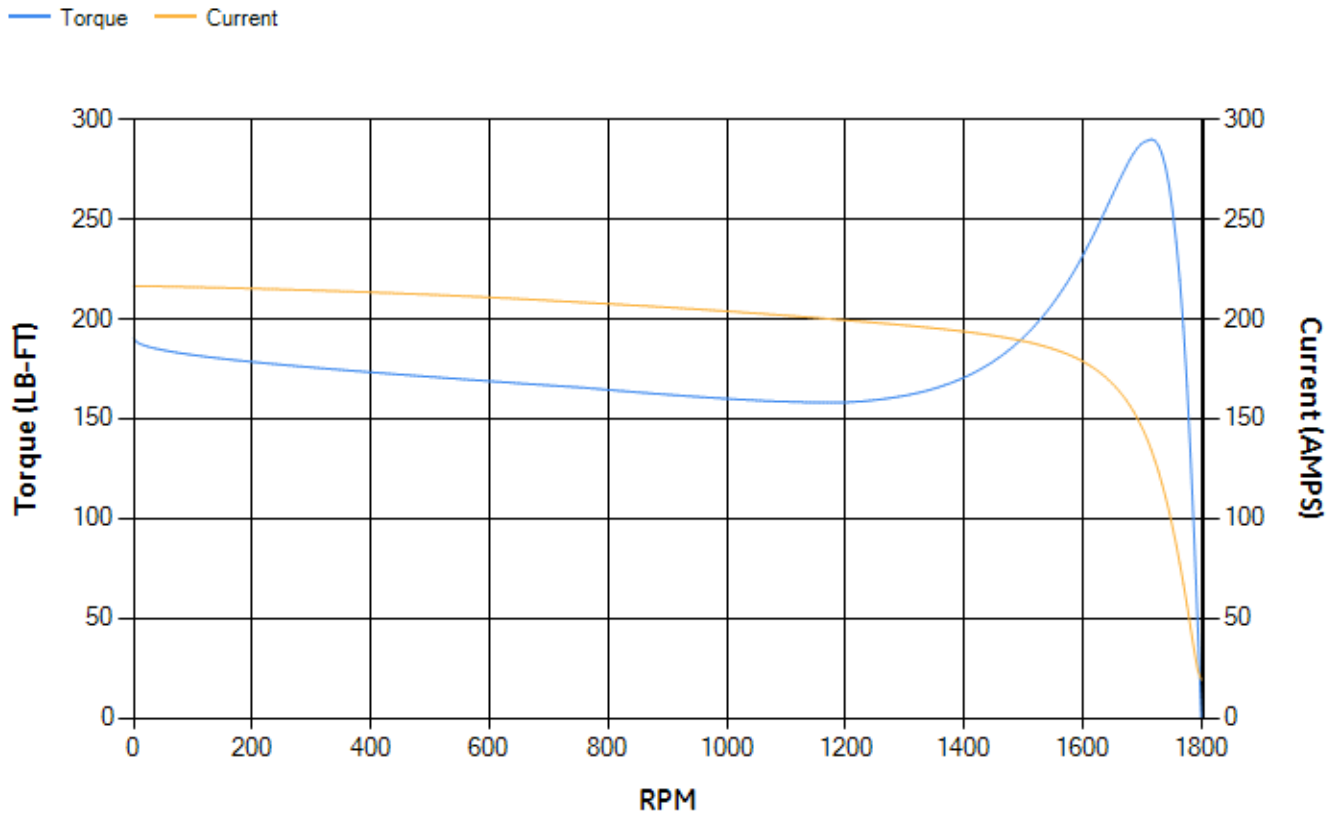
LOAD %	125.0	115.0	100.0	75.0	50.0	25.0	0.0
% EFF	93.25	93.48	93.94	93.82	93.04	89.22	0.00
% PF	80.32	79.56	77.76	72.19	60.9	39.07	3.99
AMPS	49.99	46.31	40.91	33.17	26.43	21.48	19.14

TORQ(FL)#FT	117.96	TORQ(LR)%FL	161.3	TORQ(BD)%FL	244.78
AMPS(LR)	216.52	PF AT START	0.33		

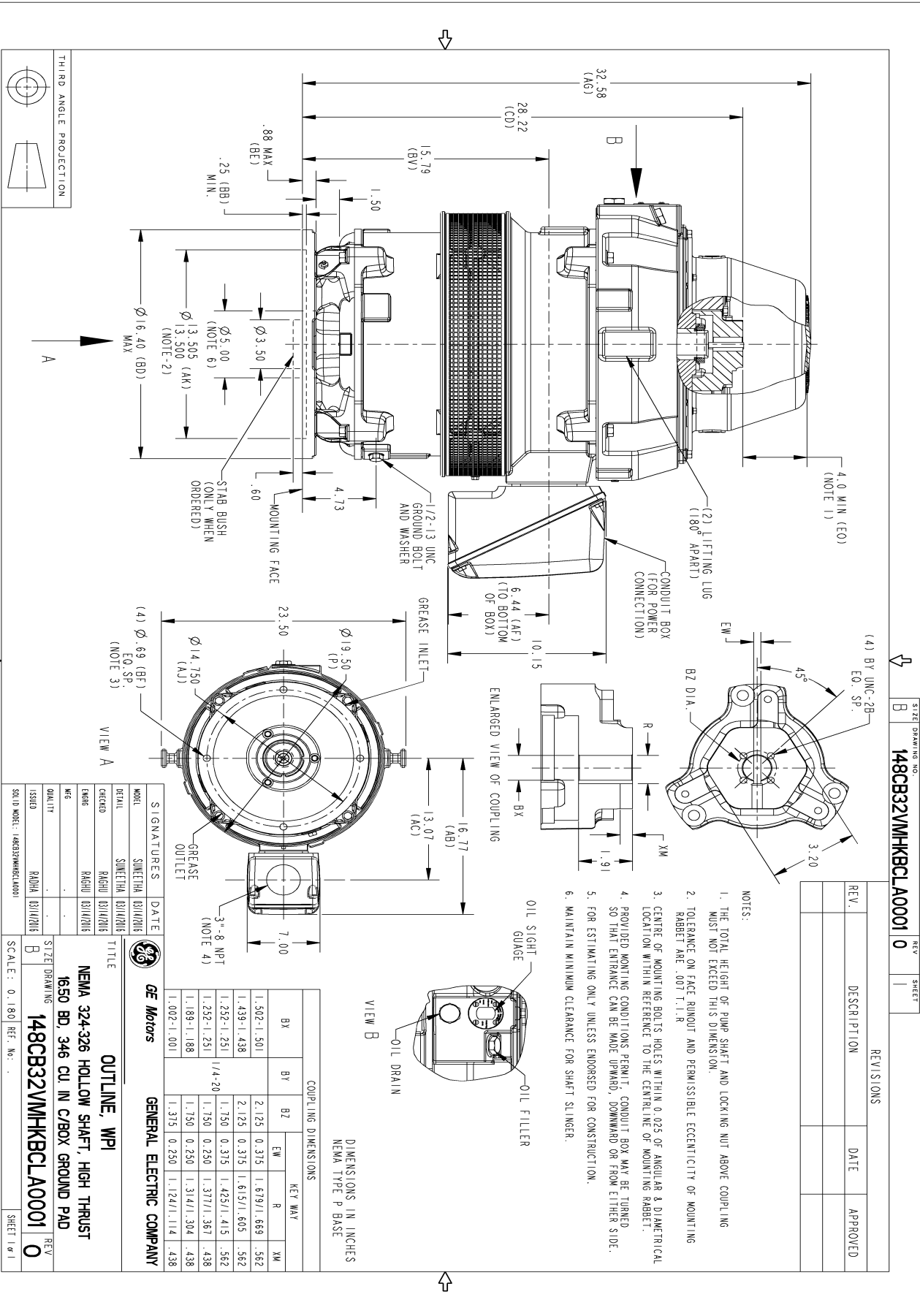
This motor is capable of two cold or one hot start with a maximum connected load inertia of 1212 Lb-Ft Sq (51.03 Kg-meter Sq)at 100% voltage, where the load torque varies with the square of the speed. Acceleration time with maximum inertia and the above load type is 50 seconds. Safe stall time at 100% voltage is 86 seconds cold, 61 seconds hot. Rotor inertia is 6.38 Lb-Ft Sq (0.27 Kg-meter Sq).

Open Circuit A-C:	0.479	Short Circuit D-C:	0.023
Short Circuit A-C:	0.035	X/R Ratio:	8.669
Stator Slots:	48	Rotor Slots:	38

Speed Torque Current Curve (First Connection, First Speed)



Marks:



NOTES:

1. THE TOTAL HEIGHT OF PUMP SHAFT AND LOCKING NUT ABOVE COUPLING MUST NOT EXCEED THIS DIMENSION.
2. TOLERANCE ON FACE RINOUT AND PERMISSIBLE ECCENTRICITY OF MOUNTING RABBIT ARE .007 T.I.R.
3. CENTRE OF MOUNTING BOLTS WITHIN 0.025 OF ANGULAR & DIAMETRICAL LOCATION WITHIN REFERENCE TO THE CENTRLINE OF MOUNTING RABBIT.
4. PROVIDED MONTING CONDITIONS PERMIT, CONDUIT BOX MAY BE TURNED SO THAT ENTRANCE CAN BE MADE UPWARD, DOWNWARD OR FROM EITHER SIDE.
5. FOR ESTIMATING ONLY UNLESS ENDORSED FOR CONSTRUCTION.
6. MAINTAIN MINIMUM CLEARANCE FOR SHAFT SLINGER.

DIMENSIONS IN INCHES
NEMA TYPE P BASE

COUPLING DIMENSIONS			KEY WAY		
BX	BY	BZ	EW	R	XM
1.502-1.501	2.125	0.315	1.679/1.669	.562	.562
1.439-1.438	2.125	0.315	1.615/1.605	.562	.562
1.292-1.291	1.750	0.315	1.425/1.415	.562	.562
1.252-1.251	1/4-20				
1.189-1.188	1.750	0.250	1.377/1.367	.438	.438
1.002-1.001	1.750	0.250	1.314/1.304	.438	.438
	1.315	0.250	1.124/1.114	.438	.438

GE Motors
GENERAL ELECTRIC COMPANY

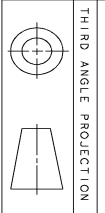
SIGNATURES	DATE
MODEL: SUNEETHA 03/14/2016	
DETAIL: SUNEETHA 03/14/2016	
CHECKED: RAJESH 03/14/2016	
ENGR: RAJESH 03/14/2016	
ISSUED: RAJESH 03/14/2016	
SOI ID MODEL: 148CB32VMHKBCLA0001	

OUTLINE, WPI
NEMA 324-326 HOLLOW SHAFT, HIGH THRUST
1650 BD, 346 CU. IN. C/BOX GROUND PAD

SCALE: 0.180 REF. No.:

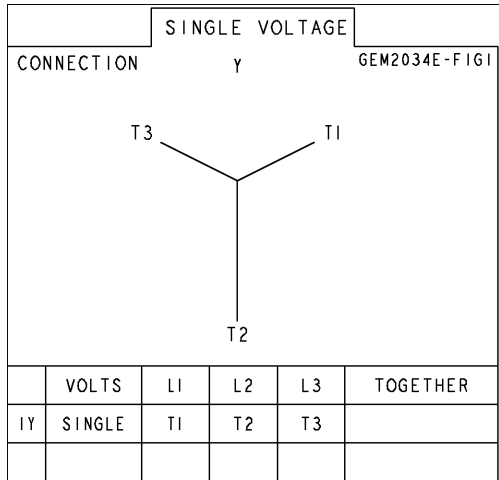
SIZE DRAWING NO. B 148CB32VMHKBCLA0001 0

REV.	DESCRIPTION	DATE	APPROVED



Marks:

Connection Diagram
GEM2034E-FIG1



Heater Connection
3027JE-1C



End shield Assembly		
Part Description	DE Side Part#	ODE Side Part#
End Shield	115E7205AA1	115E7208LA1
Bearing	235A2509BE01	235A2523AD01
Slinger/Inproseal	235A2300FM1	

Fan & Fan Cover Assembly	
Part Description	Part#
Fan	
Fan Cover	161C1052AA1

Conduit & Accessories Box Assembly	
Part Description	Part#
Conduit Box	149C4429AA2

Mechanical Accessories	
Part Description	Part#
Brake	
Tachometer	