

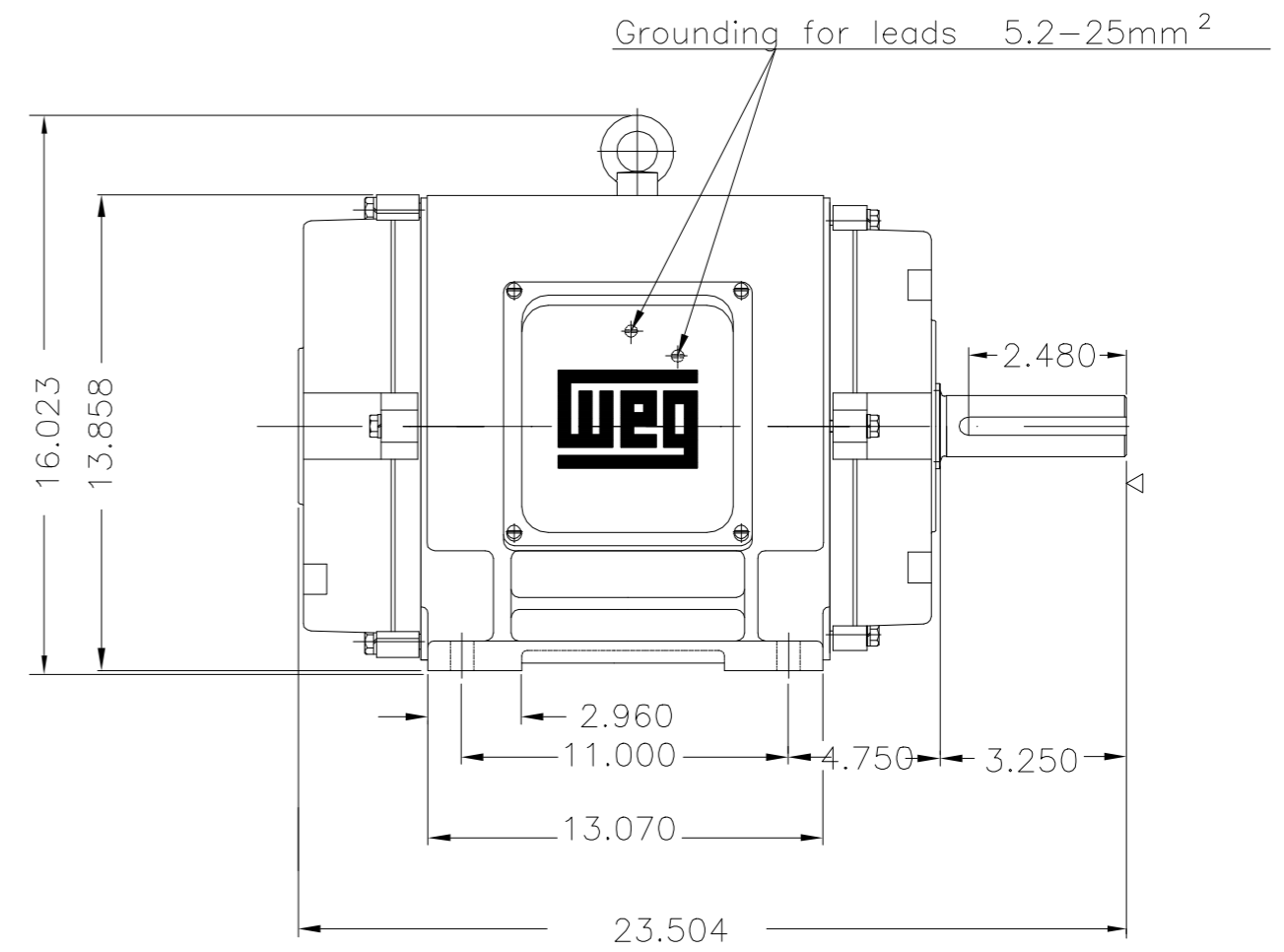
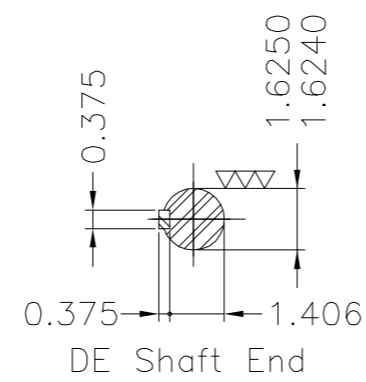
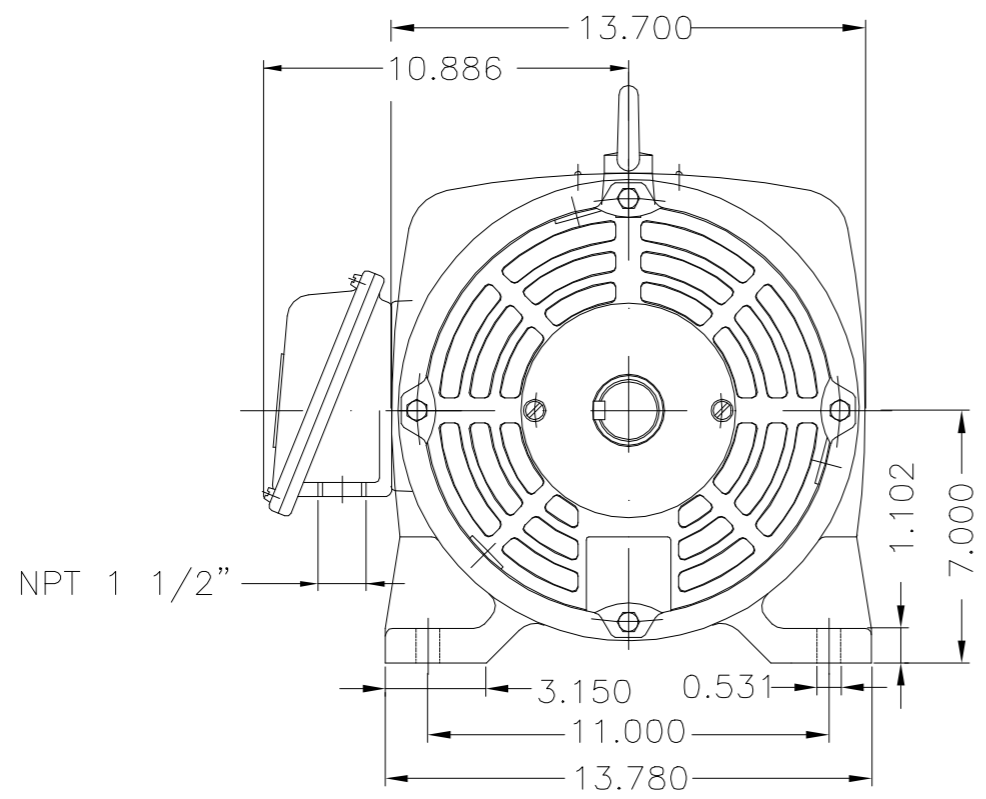
EIXO/SHAFT	
PADRÃO/STANDARD	X
OPCIONAL/OPTIONAL	
ESPECIAL/SPECIAL	

Dimensões em polegadas
Dimensions in inches

CERTIFIED WEG MOTORES
Certified document.
Not subject to changes.

THIS IS AN UPDATED REVISION, THE PREVIOUS ONE MUST BE DISREGARDED.

A
B
C
D
E



- Tampa dianteira especial / Special DE endshield
- Kit porta escova de aterramento AEGIS SGR-53.5-3MFH / Brush holder kit AEGIS SGR-53.5-3MFH
- Plano de pintura 203A / Painting plan 203A
- Forma construtiva NEMA F-1 / Mounting NEMA F-1
- Forma construtiva B3D / Mounting B3R(D)

WEG ELECTRIC CORPORATION - WEC

500000897148		ALT. PARA NORMAL	DWAGNER	PETTINE	31.05.2014	01
500000865506		DOCUMENTO NOVO	SCARMAGNANI	DAYANAR	11.03.2014	00
ECM	LOC	SUMMARY OF MODIFICATIONS	EXECUTED	CHECKED	RELEASED	DATE VER
EXECUTED	SCARMAGNANI	THREE PHASE NEMA P. EFF MOTOR FRAME 286TS IP23	10002752521			
CHECKED			000	01		
RELEASED	DAYANAR					
REL DT	11.03.2014	WMO	JARAGUA DO SUL	ENGENHARIA DE PRODUTO	SHEET 1 / 1	

40 HP 02 Poles 60Hz 413355983/0 MEC

UNCONTROLLED COPY
RELEASED
ZME A3