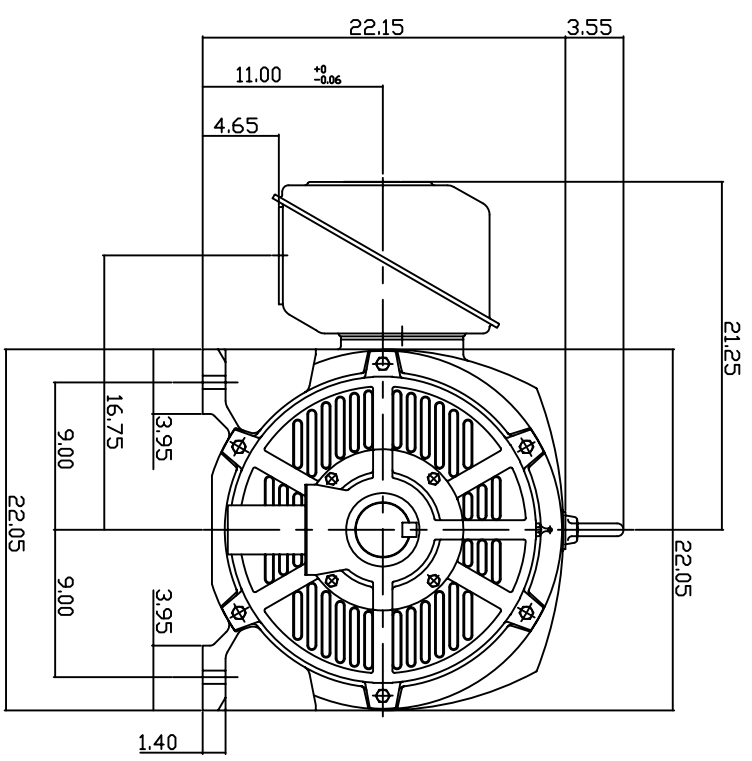
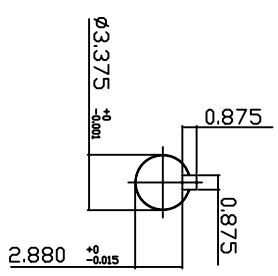
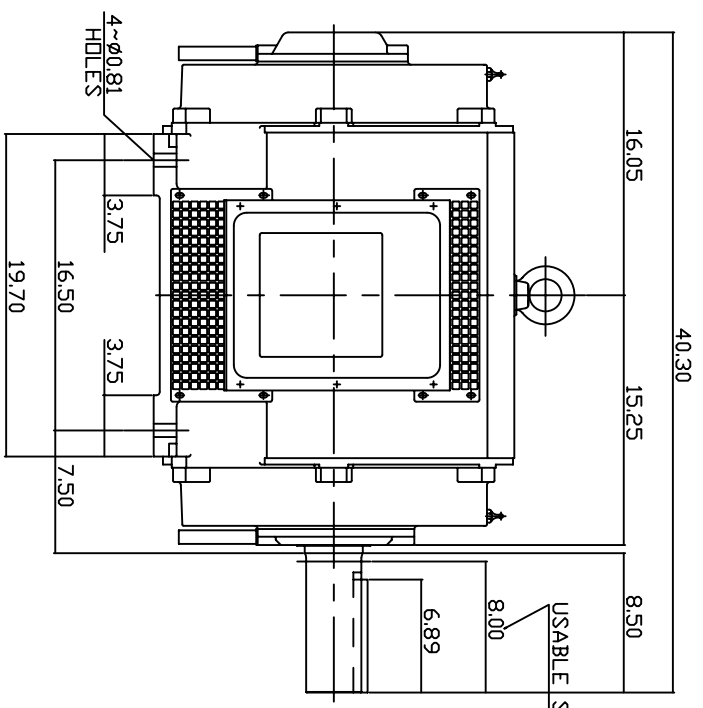


TYPE	OUTPUT		POLE	TIME RATING CNT.	VOLTAGE V	Hz	SYN SPEED R.P.M
	HP.	KW.					
ASHH	150	111.9	6		460	60	1200

DRIP PROOF TYPE, SQUIRREL-CAGE ROTOR



NOTE:

1. DIMENSIONS IN INCH.
2. FRAME ND445T
3. F CLASS INSULATION, S.F.1.15
4. FOR BELT DRIVE
5. BEARING SIZE: DRIVE END: NU318  
NON-DRIVE END: 6316
6. MOTOR APPROX. WEIGHT: 1430LBS

TB-56SSC

DWN.	V.L.LIN	MAR-26-2003
CHKD.	W.L.LIN	MAR-26-2003
APPD.	C.VANG	MAR-26-2003

DATE May 14, 2007  
 Cat. #: DHP1506R  
 OUTLINE DIMENSIONS  
 3-PHASE INDUCTION MOTOR

**Westinghouse**  
 DWG NO. 3A040T261  
 REV: 00