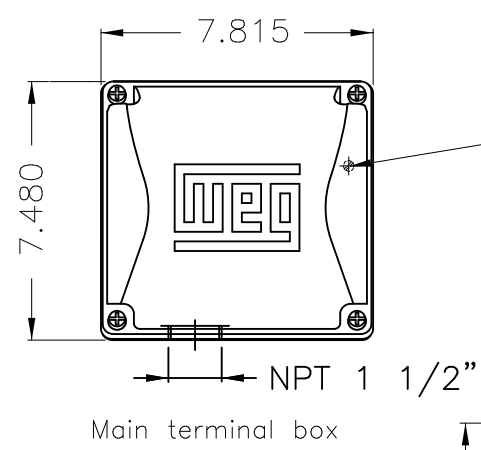
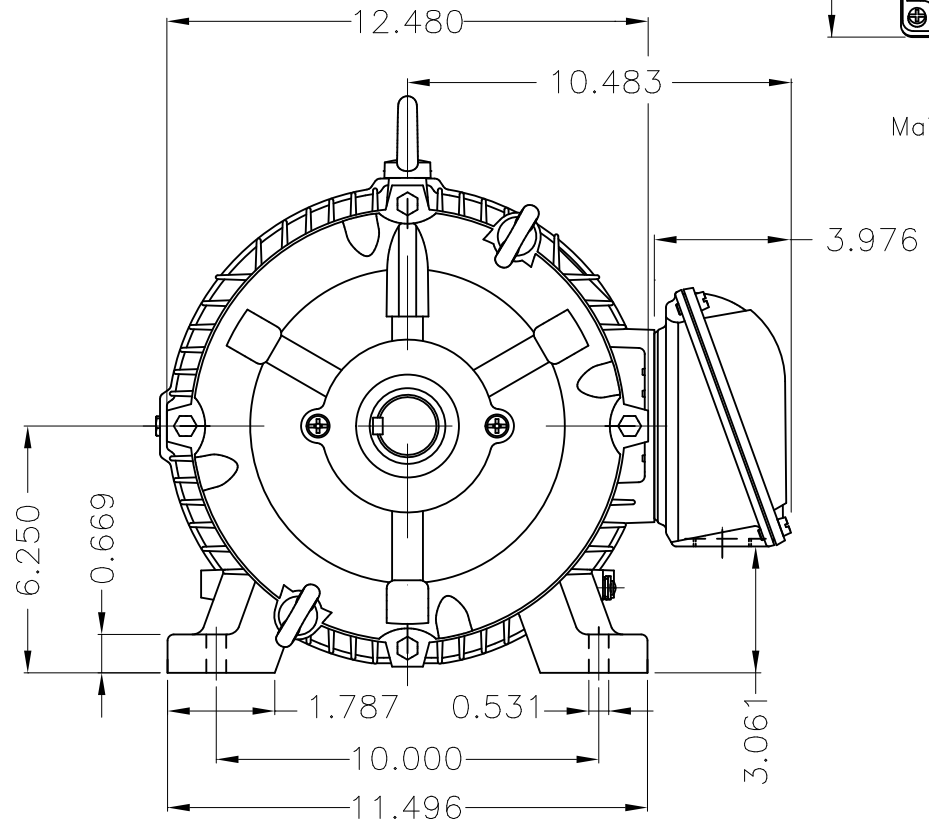
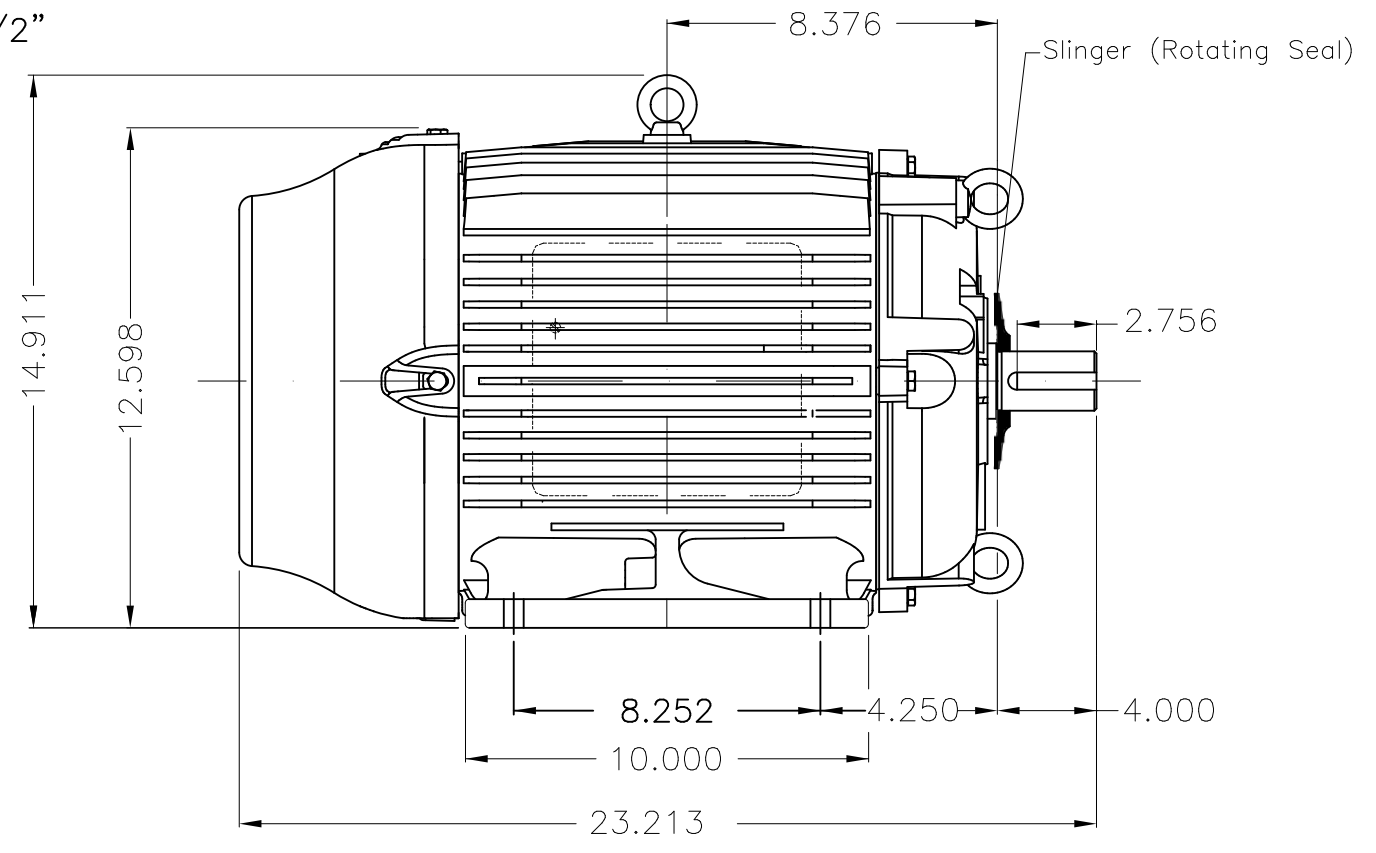


Dimensões em polegada
Dimensions in inches

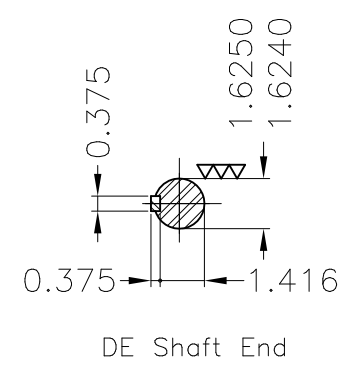
THIS IS AN UPDATED REVISION, THE
PREVIOUS ONE MUST BE DISREGARDED.



Grounding for leads 5.2–25 mm² / 10–4 AWG

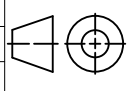


Slinger (Rotating Seal)



DE Shaft End

Color RAL 5009
Painting plan 202E
Mounting B3L(E)

| ECM | LOC | SUMMARY OF MODIFICATIONS | | | EXECUTED | CHECKED | RELEASED | DATE | VER |
|----------|------------|--|----------------|---------------------|----------|---------|----------|------|-----|
| EXECUTED | USERADMIN |  THREE PH W22 MOTOR COOLING TOWER HIGH EF FRAME 254T IP55 TEFC WEG code: 12173119 | | | | | | | |
| CHECKED | | | | | | | | | |
| RELEASED | | | | | | | | | |
| REL DT | 24.07.2017 | WMO | Jaragua do Sul | Product Engineering | SHEET | 1 / 1 | | | |

3.75/15 HP 08/04 Poles 60Hz

A

