

Product Information Packet

May 26, 2017

Data shown is for the current revision model #. Ensure your nameplate model # matches.

Model Number:	5KS326XAJ6408A
Catalog Number:	V4818
Instruction Manual:	GEK-95351
Connection Diagram:	GEM2034E-FIG7
Outline Drawing:	148CB32INHNBCLA0001

Accessory Connection Diagrams			
Bearing Thermocouple:	None	Heater:	None
RTD:	None	Thermistor:	None
Thermostat:	None	Winding Thermocouple:	None
Bearing RTD:	None		

Table of Contents

Specification	01
Performance Characteristics	02
Outline Drawing	03
Connection Drawing(s)	04
Spare parts	05



Marks:

MODEL NUMBER:	5KS326XAJ6408A	Estimated Weight:	1076 Lbs
Outline Drawing:	148CB32INHNBCLA0001	Time Rating:	CONT
Connection Diagram:	GEM2034E-FIG7	Enclosure:	TEFC
Instruction Book:	GEK-95351	Encl Construction:	841
Design Code:	32BD1183AA	Ambient Max(°C):	40
Type:	KS	Alt Ambient Max(°C):	--
Frame:	L326VP16	Insulation Class:	H
Phases:	3	NEMA Design:	B
Poles:	4	Nominal Efficiency:	94.5 %
Output Power:	50HP 37KW	Guaranteed Efficiency:	94.1
RPM:	1780	3/4 Load Efficiency:	94.7
Voltage:	460	KVA Code:	G
Hertz:	60	Max KVAR:	17.7
Amps - FL:	60.8	Power Factor:	81.5
Service Factor:	1.15	Bearing - DE:	6212C3
Alt Service Factor:	--	Bearing - ODE:	235A2523AD01

Enclosure is Totally Enclosed Fan-Cooled

Stamped Nameplate Notes:

EXCEPTIONS TO IEEE-STD-841-2009:
 ALUMINIUM FAN AND FAN BACK PLATE
 VERTICAL 841
 DE BRG 60BC02J30, ODE BRG 100BT02MD00
 INVERTER DUTY PER NEMA MG1 PART 31
 ALTERNATE RATING FOR PWM CONTROL:1.0SF 40C AMBIENT
 VAR TORQUE RANGE 0-60 HZ
 GE SELF DECLARED CLASS I DIV 2 MOTOR
 MAX EXPOSED INTERNAL AND EXTERNAL SURFACE
 TEMPERATURES UNDER USUAL SERVICE CONDITIONS
 AT 1.00 S.F. DO NOT EXCEED 200 DEG C
 API 610 12TH EDITION SHAFT DIMENSIONS

Additional Information:

4 POLE, VERT SOLID SHAFT HIGH THRUST (1D)
 PAINTED FRAME ID & SHAFT,
 FAN COVER INSIDE & ODE E/S OUTSIDE
 346 CU IN - 3.00" NPT
 BEARING LIFE 8760 HRS AT 5553 LB THRUST
 BEARING LIFE 26280 HRS AT 3791 LB THRUST
 INPRO SEAL LOWER END
 OIL RESISTANT SLEEVING ON LEADS
 ROUTINE TEST REPORT AND 5 POINT VIBRATION TEST
 REPORT INCLUDED IN C/B
 COPPER WASHER UNDER HEADS OF BEARING CAP BOLTS,
 APPLY TITE-SEAL (A50CD427A) ON BEARING CAP SCREWS,
 RABBETS AND PLUG THREADS.

STAINLESS STEEL T-DRAINS.
FRAME GROUND PAD
ACTUAL EFFICIENCY = 94.1%
RCF: 3210 CPM AT C/BOX SIDE, 3510 CPM AT
90 DEG FROM C/ BOX SIDE
CG: 17.55 IN FROM P-BASE FACE

Performance Characteristics

1st Winding 1st Connection

Design: 32BD1183AA

Marks:

LOAD %	125.0	115.0	100.0	75.0	50.0	25.0	0.0
% EFF	93.4	93.67	94.18	94.17	93.58	90.24	0.00
% PF	83.06	82.61	81.35	76.96	67.02	45.01	4.25
AMPS	75.39	69.55	60.94	48.43	37.31	28.8	24.69

TORQ(FL)#FT 147.63
AMPS(LR) 337.37

TORQ(LR)%FL 173.12
PF AT START 0.34

TORQ(BD)%FL 242.81

This motor is capable of two cold or one hot start with a maximum connected load inertia of 1074 Lb-Ft Sq (45.22 Kg-meter Sq)at 100% voltage, where the load torque varies with the square of the speed. Acceleration time with maximum inertia and the above load type is 34 seconds. Safe stall time at 100% voltage is 78 seconds cold, 41 seconds hot. Rotor inertia is 8.61 Lb-Ft Sq (0.36 Kg-meter Sq).

Open Circuit A-C: 0.515

Short Circuit D-C: 0.023

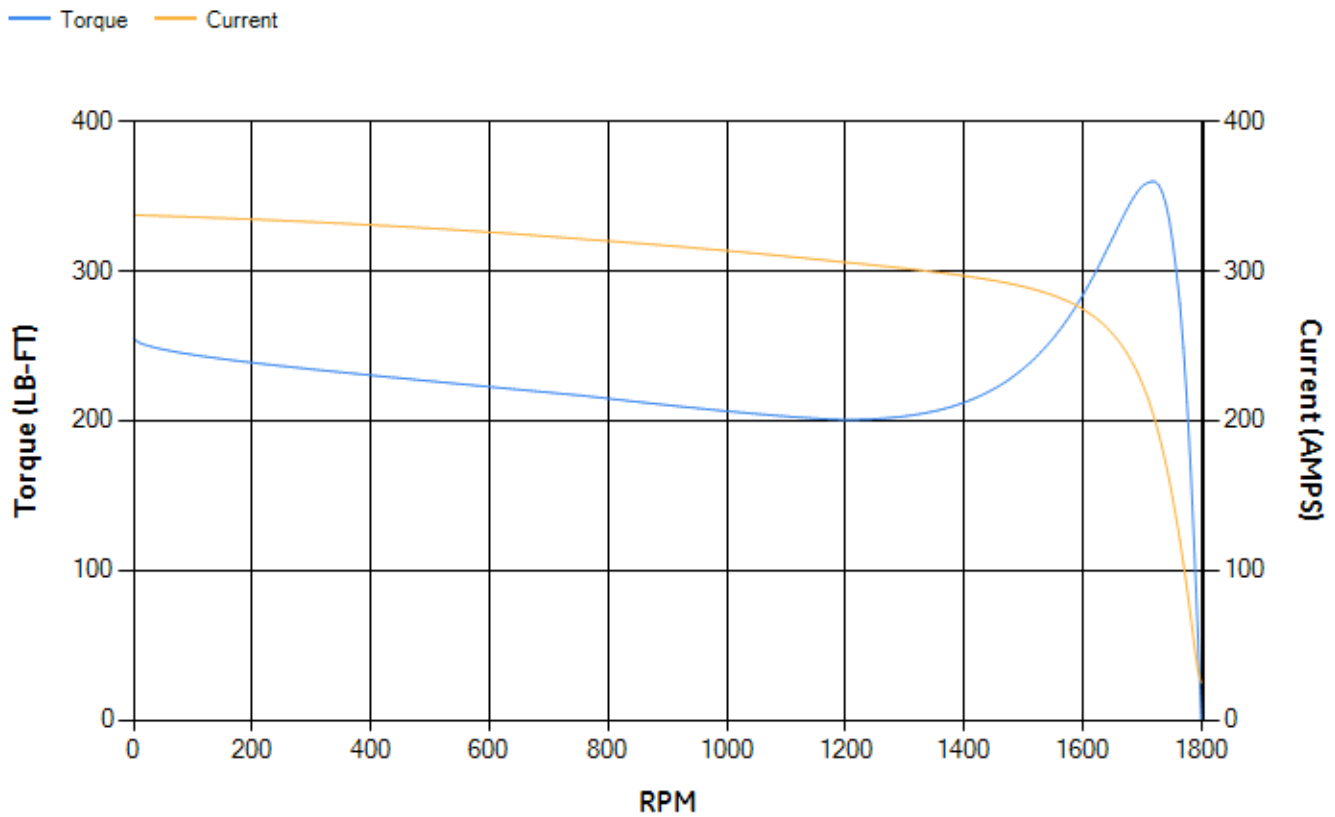
Short Circuit A-C: 0.031

X/R Ratio: 8.75

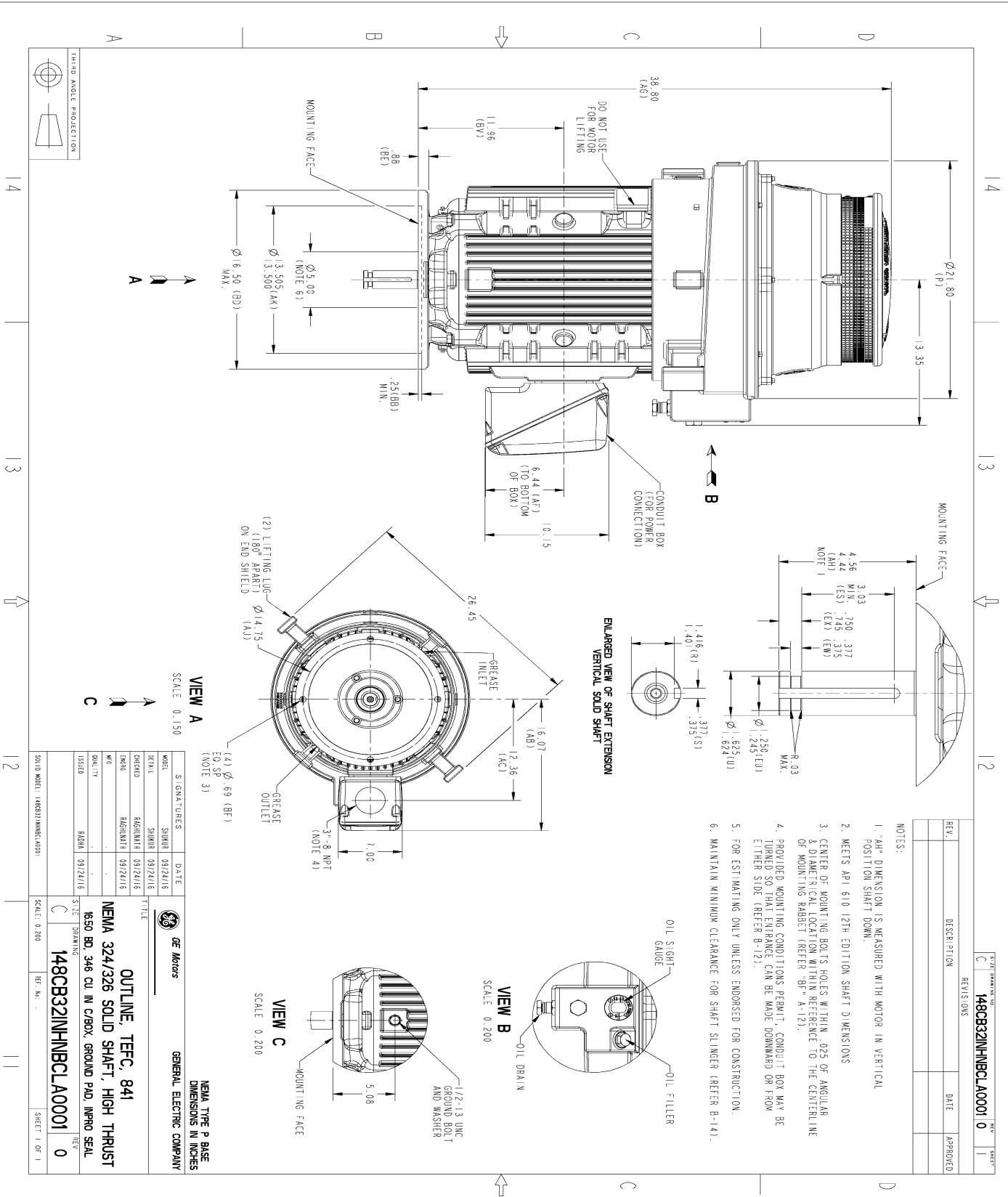
Stator Slots: 48

Rotor Slots: 38

Speed Torque Current Curve (First Connection, First Speed)

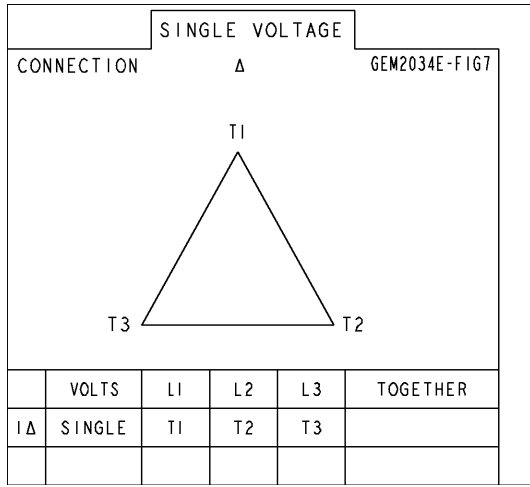


Marks:



Marks:

Connection Diagram
GEM2034E-FIG7



End shield Assembly		
Part Description	DE Side Part#	ODE Side Part#
End Shield	115E8205AC1	115E8208LA1
Bearing	235A2509BE01	235A2523AD01
Slinger/Inproseal	235A4575GE10	

Fan & Fan Cover Assembly	
Part Description	Part#
Fan	153B1887G02
Fan Cover	128D6846AA1

Conduit & Accessories Box Assembly	
Part Description	Part#
Conduit Box	149C4429AA2

Mechanical Accessories	
Part Description	Part#
Brake	
Tachometer	