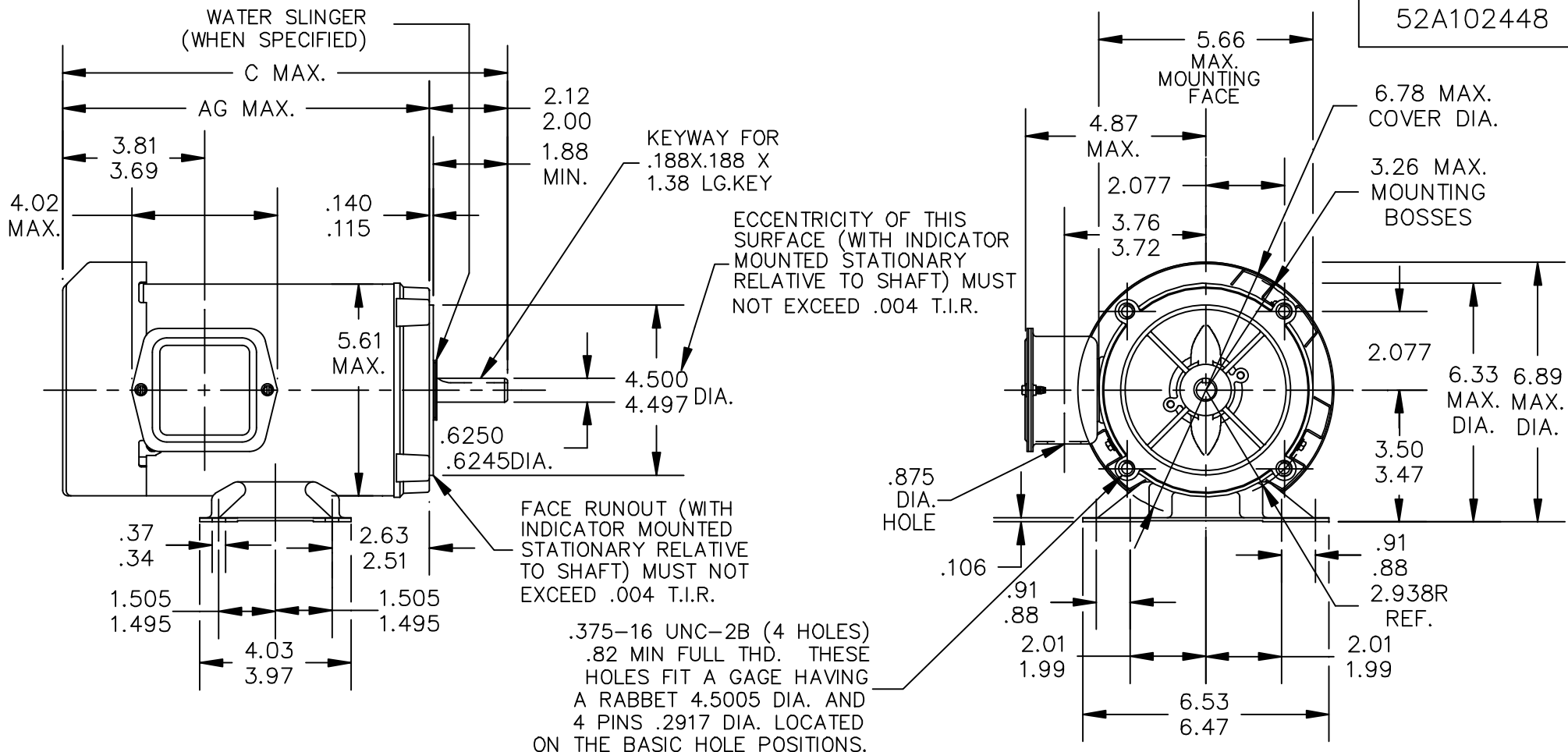


52A102448



4	K	36	56C	11.36	9.28							
3	K	35	56C	10.93	8.85							
2	K	32	56C	10.30	8.22	6	K	38	56C	12.36	10.28	
1	K	33	56C	10.55	8.47	5	K	37	56C	11.76	9.68	
P	TYPE	RBC SIZE	NEMA FR.	C	AG	P	TYPE	GE SIZE	NEMA FR.	C	AG	

NO.		REVISION	BY & DATE	CHK	ANG	TOLERANCES UNLESS SPECIFIED	FINISH	REGAL-BELOIT CORPORATION				DRAWN	M.D.P	10/12/77
11		REDRAWN IN DRAFTSIGHT -NO CHANGES	UD 09/08/12			DEC.	INCHES	REGAL-BELOIT CORPORATION TITLE: OUTLINE TOTALLY ENCLOSED OUTBOARD FAN - WELDED BASE -R2 MTG				CHK		
10		CHG TO RBC FORMAT AS PER ISO5-1777	GRN 01/02/06			.X	±0.1					APPD	C.C.P	02/04/95
9		REDRAWN BY 2M SOFTWARE CO.	CCP 02/04/95			.XX	±0.02	SCALE 1=1 REF				SCALE	1=1	
8		REVISED BASE SLOT LOCATIONS	BLJ 03/07/91			.XXX	±0.005					FMF		
7		REVISED & REDRAWN	BLJ 01/28/91			.XXXX	±0.0005	MAT'L. PREV				PREV		
NO.		REVISION	BY & DATE	CHK	ANG	±1.0	FINISH					CAD FILE 52A102448 SIZE A DRAWING NO. 52A102448 REV. 11		

THIS DRAWING IN DESIGN AND DETAIL IS OUR PROPERTY AND MUST NOT BE USED EXCEPT IN CONNECTION WITH OUR WORK ALL RIGHTS OF DESIGN AND INVENTION ARE RESERVED THIS IS AN ELECTRONICALLY GENERATED DOCUMENT - DO NOT SCALE THIS PRINT