

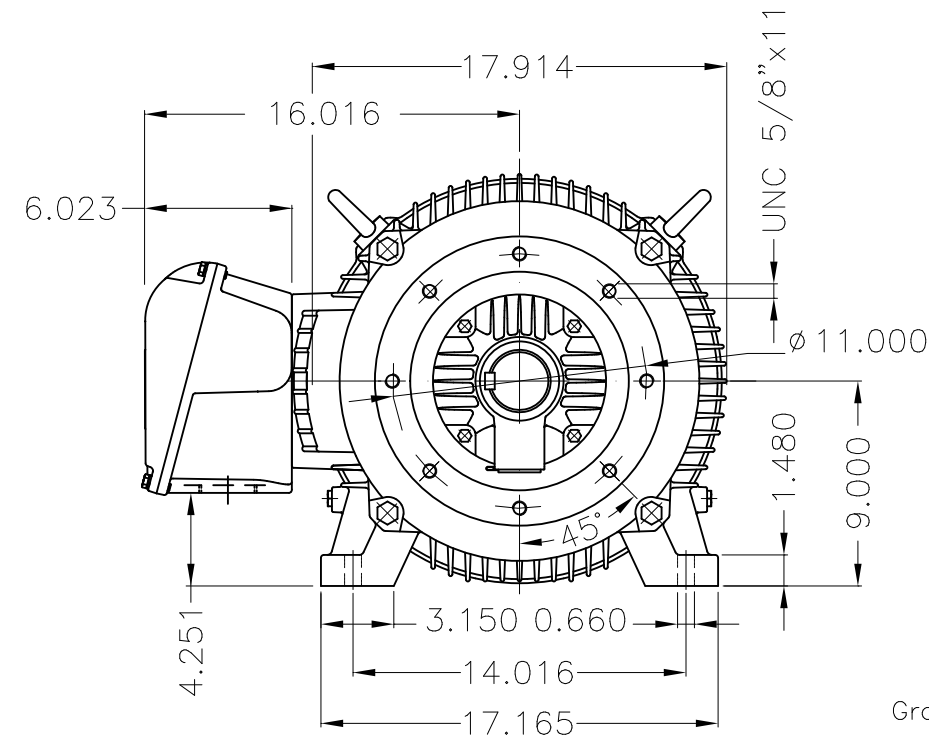
Dimensões em polegada  
Dimensions in inches

THIS IS AN UPDATED REVISION, THE  
PREVIOUS ONE MUST BE DISREGARDED.

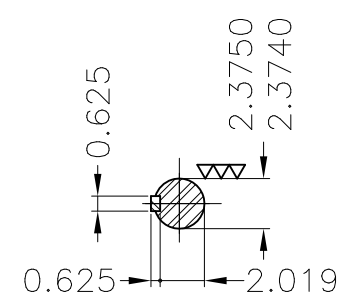
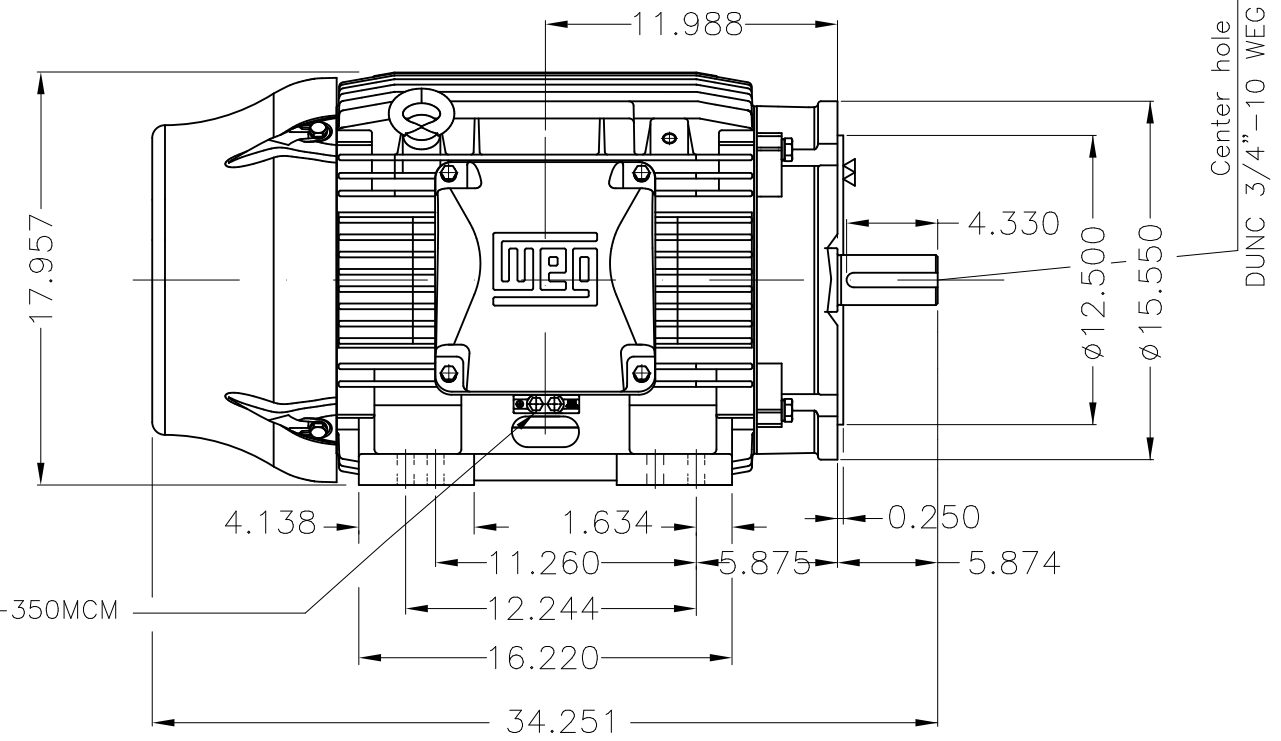


Grounding for leads 25–50 mm<sup>2</sup> / 3–1 AWG

Main terminal box



Grounding for leads 25–185 mm<sup>2</sup> / 3AWG–350MCM



DE Shaft End

Stainless Steel Grease fitting  
Color RAL 5009  
Painting plan 202E  
Mounting B34R(D)

ECM	LOC	SUMMARY OF MODIFICATIONS			EXECUTED	CHECKED	RELEASED	DATE	VER
EXECUTED	USERADMIN		THREE PH. W22 NEMA P.EFF MOTOR IEEEE841						
CHECKED			FRAME 364/5TC IP55 TEFC						
RELEASED			WEG code: 12039625						
REL DT	24.07.2017	WMO	Jaragua do Sul	Product Engineering	SHEET	1 / 1			

40 HP 08 Poles 60Hz

