

DATE  
JAN. 4, 2007  
CAT. #: EPV0504C

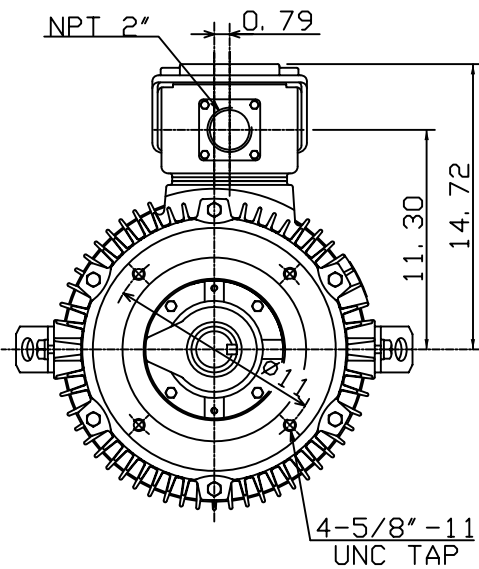
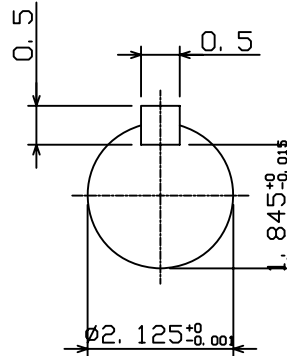
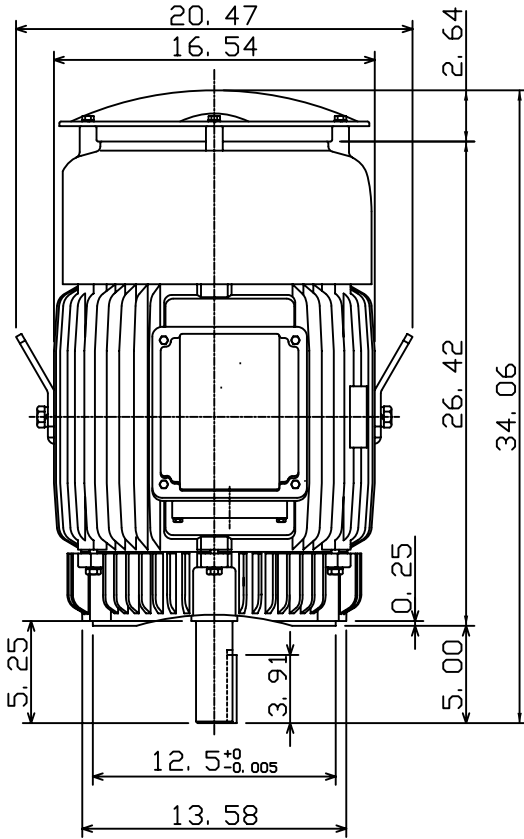
OUTLINE DIMENSIONS  
3-PHASE INDUCTION MOTOR

MOTOR TYPE:  
AEUH8NDC  
FRAME NO. 326TC

Pole	HP	kW	Hz	VOLT	Syn. Speed r/min(rpm)
4	50	37.3	60	230/460	1800

Ins	Rating	Dimension in	Approx Weight	Bearings
F	CONT.	inches	750 LBS	DE: 6312 NDE: 6212

Totally Enclosed Fan-cooled Vertical Type, Squirrel-cage Rotor.



DWN. K. L. KUO 09-07-01  
CHKD. C. H. KAO 09-20-01  
APPD. Y. B. HUANG 09-20-01



DWG NO.  
31057H337120