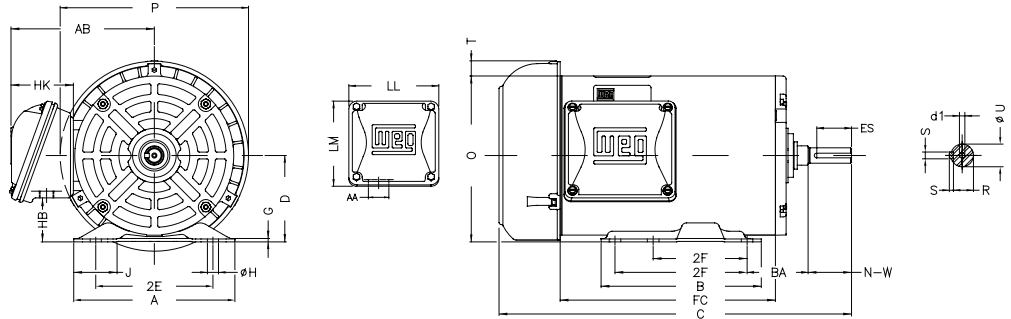


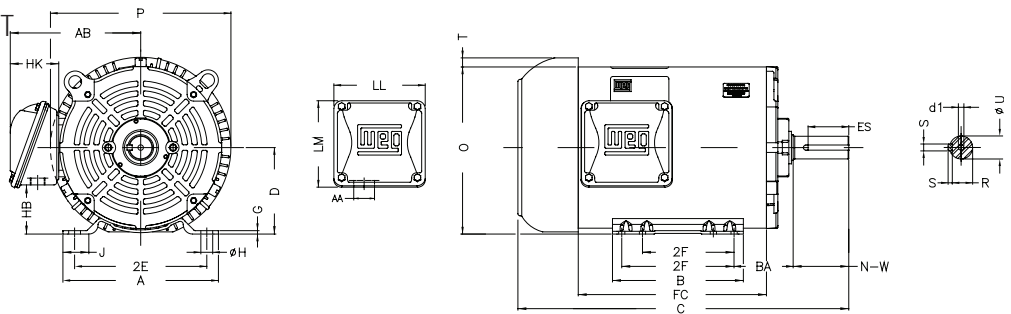
W01 Rolled Steel NEMA Premium Eff. Motors

TEFC - Mechanical Data

Frame 143/5T



Frames 182/4T up to 254/6T



NEMA FRAME	MOUNTING					AB	D	HB	HK	Hole H	J	LL	LM	O	P	T	SHAFT END						BEARINGS	
	2E	2F	A	B	BA												d1	ES	N-W	R	S	U	D.E.	N.D.E.
143/5T	5.500	4.000/5.000	6.535	6.496	2.250	5.873	3.500	1.784	2.629	0.343	1.722	4.563	4.090	6.723	7.638	0.604	A 3.15	1.417	2.250	0.766	0.187	0.875	6205 ZZ	6203 ZZ
182/4T	7.500	4.500/5.500	8.661	6.299	2.750	6.696	4.500	2.784	0.406	1.299	5.551	5.250	10.144	9.435	0.661	A 4	1.969	2.750	0.984	0.250	1.125	6206 ZZ	6205 ZZ	
213/5T	8.500	5.500/7.000	9.449	7.953	3.500	7.973	5.250	2.982	3.022	1.575	5.551	5.250	10.144	11.306	0.761	A 4	2.480	3.380	1.203	0.313	1.375	6208 ZZ	6206 ZZ	
254/6T	10.000	8.252/10.000	11.417	11.417	4.250	9.448	6.250	3.631	3.645	0.530	1.693	6.299	6.017	12.010	13.180	0.830	A 4	2.756	4.000	1.406	0.375	1.625	6309 Z-C3	6208 Z-C3

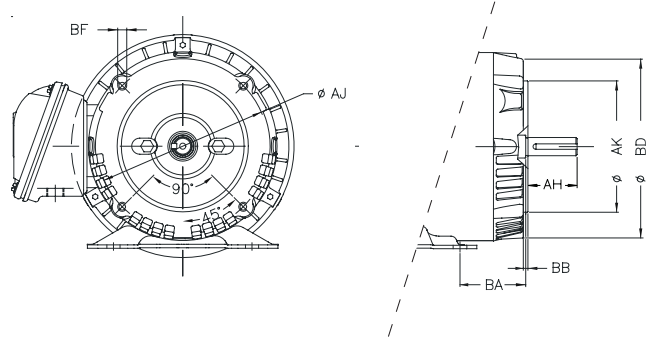
NEMA FRAME	OUTPUT		POLES	C	FC
	HP	KW			
143/5T	1	0.75	2	13.189	7.480
			4	13.583	7.874
			6		
182/4T	1.5	1.1	2	13.189	7.480
			4	13.583	7.874
			6	16.339	8.661
143/5T	2	1.5	2	13.976	8.268
4					
6			17.126	9.449	
182/4T	3	2.2	2	16.339	8.661
4			17.913	10.236	
6			19.291	10.630	
213/5T	5	3.7	2	17.913	10.236
4					
6			20.079	11.417	
213/5T	7.5	5.5	2		
4			18.898	10.236	
6			22.559	12.992	
254/6T	10	7.5	2	21.654	12.992
4			19.291	10.630	
6			23.346	13.780	
213/5T	15	11	2	22.559	12.992
4					
6					
254/6T	20	15	2		
			4	23.346	13.780
			6		
254/6T	25	18.5	2		

W01 Rolled Steel NEMA Premium Eff. Motors

TEFC - Mechanical Data

Frame	BA	"C" Flange Dimensions					
		AJ	AK	BB	BD	BF	AH
143/5TC	2.750	5.874	4.500	0.157	6.028	UNC 3/8"x16	2.129
182/4TC	3.500	7.250	8.500	0.250	8.858	UNC 1/2"x13	2.620
213/5TC	4.309				9.401		3.129
254/6TC	4.750				11.084		3.750

Frame 143/5T



Frames 182/4T up to 254/6T

